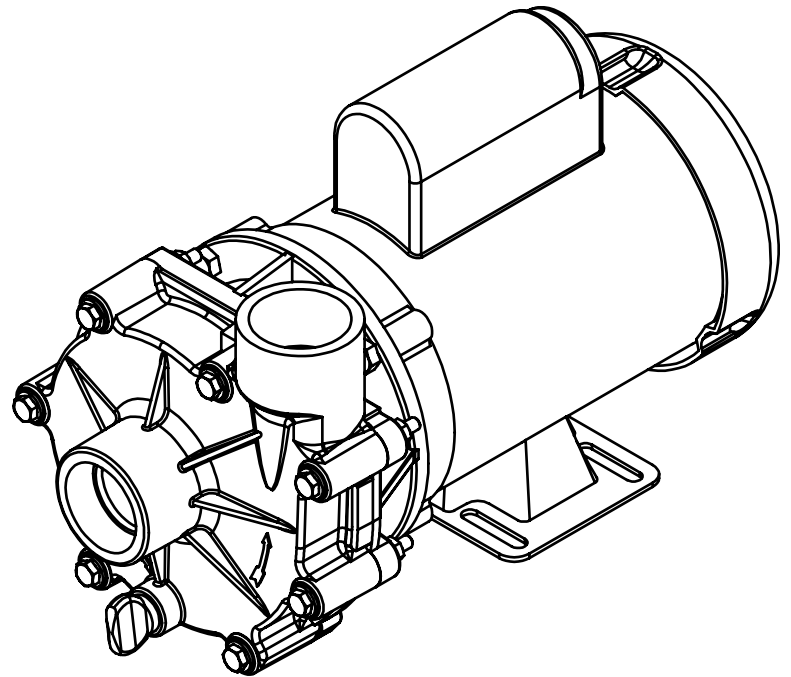
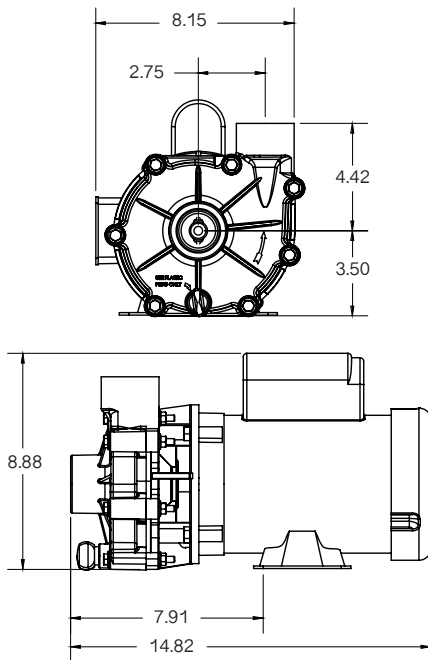




EX Series - EX6100

The EX Series has set the standard by which all others are measured. Perfect blend of medium pressure and ample flow for the majority of ponds. Motor is totally-enclosed, fan-cooled for durability. 115V or 230V. 18 month limited warranty. Supplied with an 8-foot, 115V powercord. Made in USA.



Flow At Total Dynamic Head

| Model | Max Flow GPH | Max Head Feet | Max Power Watts | Max Current Amps | Flow | Flow At Total Dynamic Head | | | | Voltage | Motor Enclosure |
|------------------------------|-----------------|------------------|--------------------|---------------------|------|----------------------------|------|------|------|---------|--------------------|
| | | | | | | 5' | 10' | 15' | 20' | | |
| EX6100 | 6100 | 23' | 344 | 3 | GPM | 92 | 79 | 65 | 40 | 115 | TEFC |
| Inlet & Discharge 1 1/2" fpt | | | | | GPH | 5520 | 4740 | 3900 | 2400 | | |

