

# Matala Floating Fountain



## Features:

- Low operation cost
- Improves water quality
- Reduce algae
- Increase oxygen level

# Matala Floating Fountain

---

## Instruction and Maintenance Manual

### Introduction

---

Thank you for selecting the Matala floating fountain.

This instruction manual explains the product operations and gives important precautions regarding its safe use. In order to use the product to maximum benefit, be sure to read the instructions thoroughly and follow them carefully.

To avoid accident, do not use the product in any way other than as described in this instruction manual especially when you see **! WARNING**. After reading this instruction manual, keep it nearby as a reference in case questions arise during use.

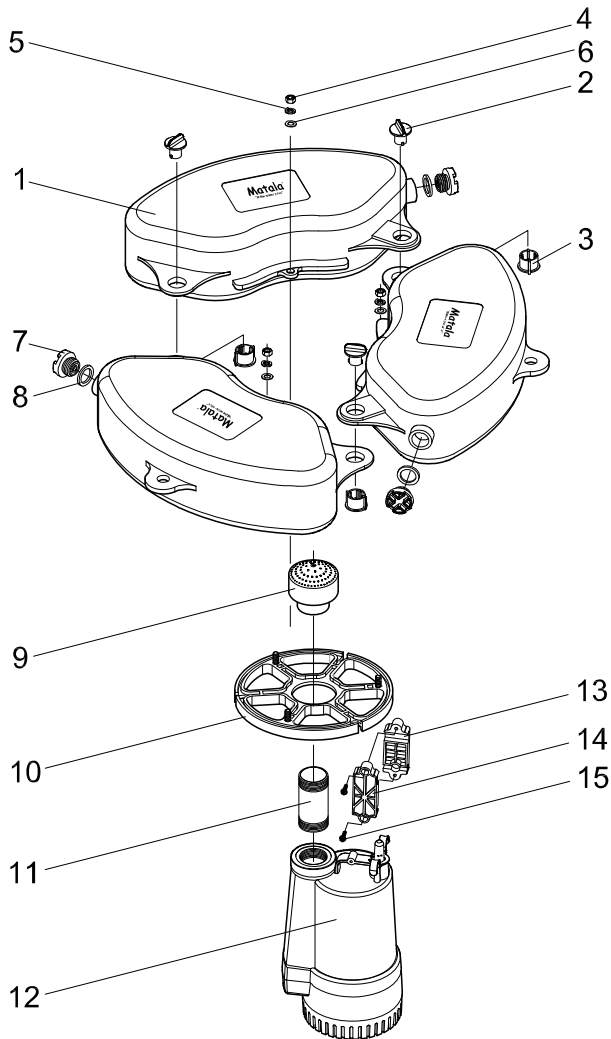
If this instruction manual should become lost or damaged, ask your nearest dealer or representative for another copy.

### Contents

---

✓	<b>Construction and Parts List .....</b>	<b>2</b>
✓	<b>Warning .....</b>	<b>2-3</b>
✓	<b>Specifications.....</b>	<b>3</b>
✓	<b>Installation.....</b>	<b>4</b>
✓	<b>Electrical Wiring.....</b>	<b>4</b>
✓	<b>Warranty .....</b>	<b>4</b>
✓	<b>Maintenance .....</b>	<b>5</b>
✓	<b>Troubleshooting.....</b>	<b>5</b>

## Construction and Parts List



FLOATING FOUNTAIN			
ITEM	PARTS	QTY	REMARK
1	FLOATER	3	
2	PLASTIC BOLT	3	
3	PLASTIC NUT	3	
4	NUT	3	
5	SPRING WASHER	3	
6	WASHER	3	
7	FLOATER CAP	3	
8	PACKING	3	
9	NUZZLE	1	
10	FRAME DISC	1	
11	MALE ADAPTER	1	
12	FOUNTAIN PUMP	1	
13	LINK(R)	1	
14	LINK(L)	1	
15	SCREW(LINK)	2	

## Warning

### IMPORTANT SAFEGUARDS READ AND FOLLOW ALL SAFETY INSTRUCTIONS.

#### DANGER

- I) Do not operate if the cord or plug is damaged, or if the fountain is malfunctioning, dropped, or damaged in any way.
- II) Prevent the plug of electrical outlet from getting wet.  
If the plug and outlet dose get wet, DO NOT UNPLUG THE CORD: Disconnect the fuse or circuit breaker supplying power to the fountain. Then unplug and examine for the presence of water in the outlet.
- III) Under NO circumstances should anyone enter the water with the electrical equipment plugged in and/or in operation.
- IV) NEVER run the unit out of water. It will damage the seals and create a dangerous situation for the operator.
- V) NEVER lift or drag the fountain by the power or light cord.  
In freezing conditions, the fountain must be removed from the water body and stored in an

area above 32° F.

VI) Read and observe all important markings on product.

VII) Ensure that extension cords (if required have the correct or higher rating (amperes or watts).

Ensure cord is properly positioned to prevent tripping or entanglement.

## Specifications

---



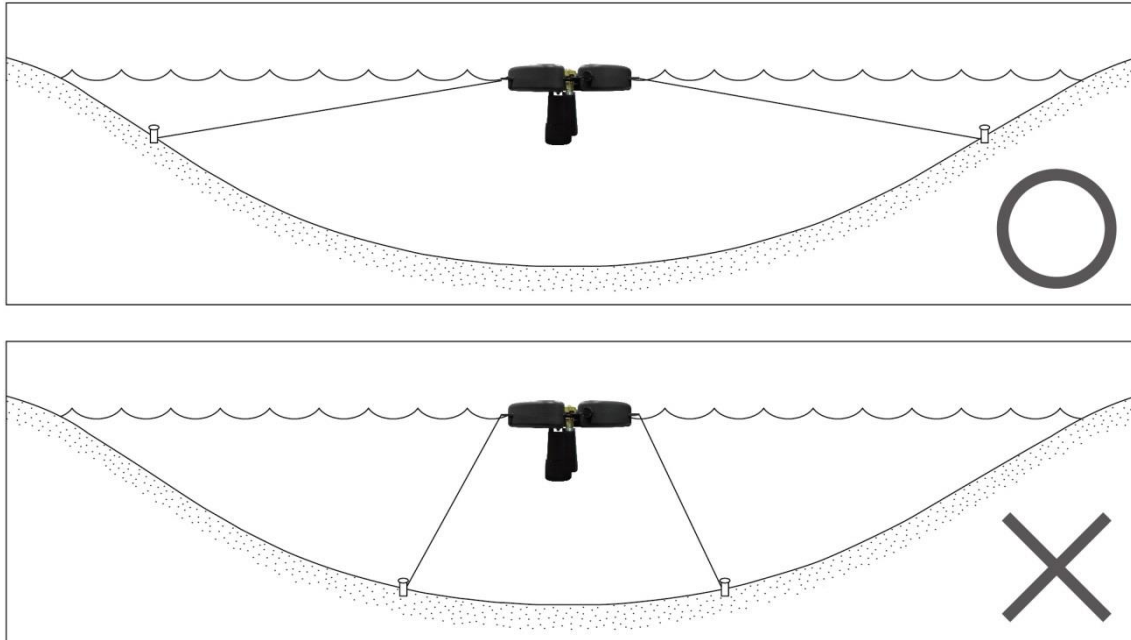
Specification	
Rated voltage	AC 110/115/120V or AC 220/230/240V
Power supply frequency	50 / 60Hz
Output HP	1/3HP
Output Watt	300W
Cable length	65.6' / 20m
Fountain Dia.	23' / 7m
Fountain height	9.8' / 3m

\*The above specifications are subject to change without prior notice.

## Installation

### Installation :

- ! WARNING :** Do not work on fountain until power is unplugged.  
Do not cut off ground pin or use an adapter fitting.  
Do not use an extension cord.



## Electrical Wiring

### Electrical wire Connection :

- ! WARNING :** Verify that the voltage and frequency of the electric pump shown on the nameplate correspond to those available on the mains.  
The installer must make sure that the electric system is grounded in accordance with the law in force.

## Warranty

### Limited Warranty :

Matala floating fountain will repair or replace for the original user any portion of a new product which proves defective due to materials or workmanship of product within 2 years of purchase date. Contact the nearest authorized product dealer for warranty service.

Matala floating fountain shall possess the sole right to determine whether to repair or replace defective equipment, parts or components.

**THIS WARRANTY DOES NOT COVER DAMAGE DUE TO LIGHTNING OR OTHER CONDITIONS BEYOND THE CONTROL OF FLOATING FOUNTAIN.**

**LABOR & COSTS:** Matala product shall in no event be liable for the cost of field labor or other charges incurred by any customer in removing and/or reaffixing any Matala fountain product, part or component.

**THE WARRANTY WILL NOT APPLY:**

- To defects or malfunctions resulting from failure to properly install, operate, or maintain the unit in accordance with printed instructions provided.
- To failures resulting from abuse, accident, or negligence.
- To units which are not installed in accordance with applicable local codes, ordinances, and good trade practices.
- If unit is used for purposes other than for what it was designed and manufactured for.
- If unit or components have been tampered with or modified in any way by an unauthorized dealer or repair shop.

**WARRANTY EXCLUSIONS :** Matala floating fountain SPECIFICALLY DISCLAIMS THE IMPLIED WARRANTIES OF MERCHANTABILITY AND FITNESS FOR A PARTICULAR PURPOSE AFTER THE TERMINATION OF THE WARRANTY PERIOD.

## Maintenance

---

**NOTE:** Before performing any maintenance and troubleshooting, unplug the system and wait for the fountain to stop.

**If the System Does Not Operate:**

- Press and re-set the electrical receptacle located inside the control box.

## Troubleshooting

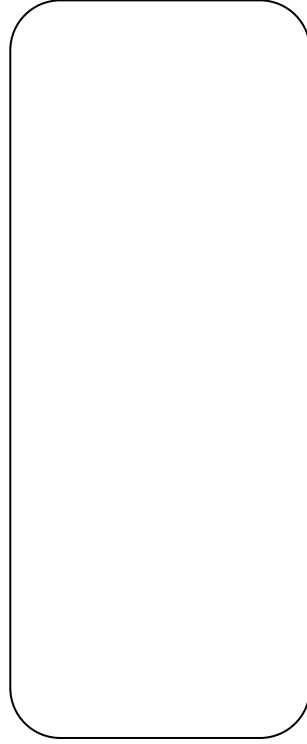
---

<b>Trouble</b>	<b>Check</b>	<b>Possible solutions</b>
<b>Fountain does not work or starts then stops</b>	Not plugged in	Cord must be plugged into a 3-wire outlet that is protected by a Ground Fault Circuit Interrupter of the supplied motor control box.
<b>Fountain spray pattern is smaller</b>	Fountain intake clogged	Disconnect power, check suction screen for obstruction and remove debris.
	Nozzle clogged	Disconnect power, remove nozzle and check for obstruction and remove debris.

**Matala**<sup>®</sup>  
"Make water alive"



141030



**MATALA WATER TECHNOLOGY CO., LTD.**  
[www.matala.com.tw](http://www.matala.com.tw)