

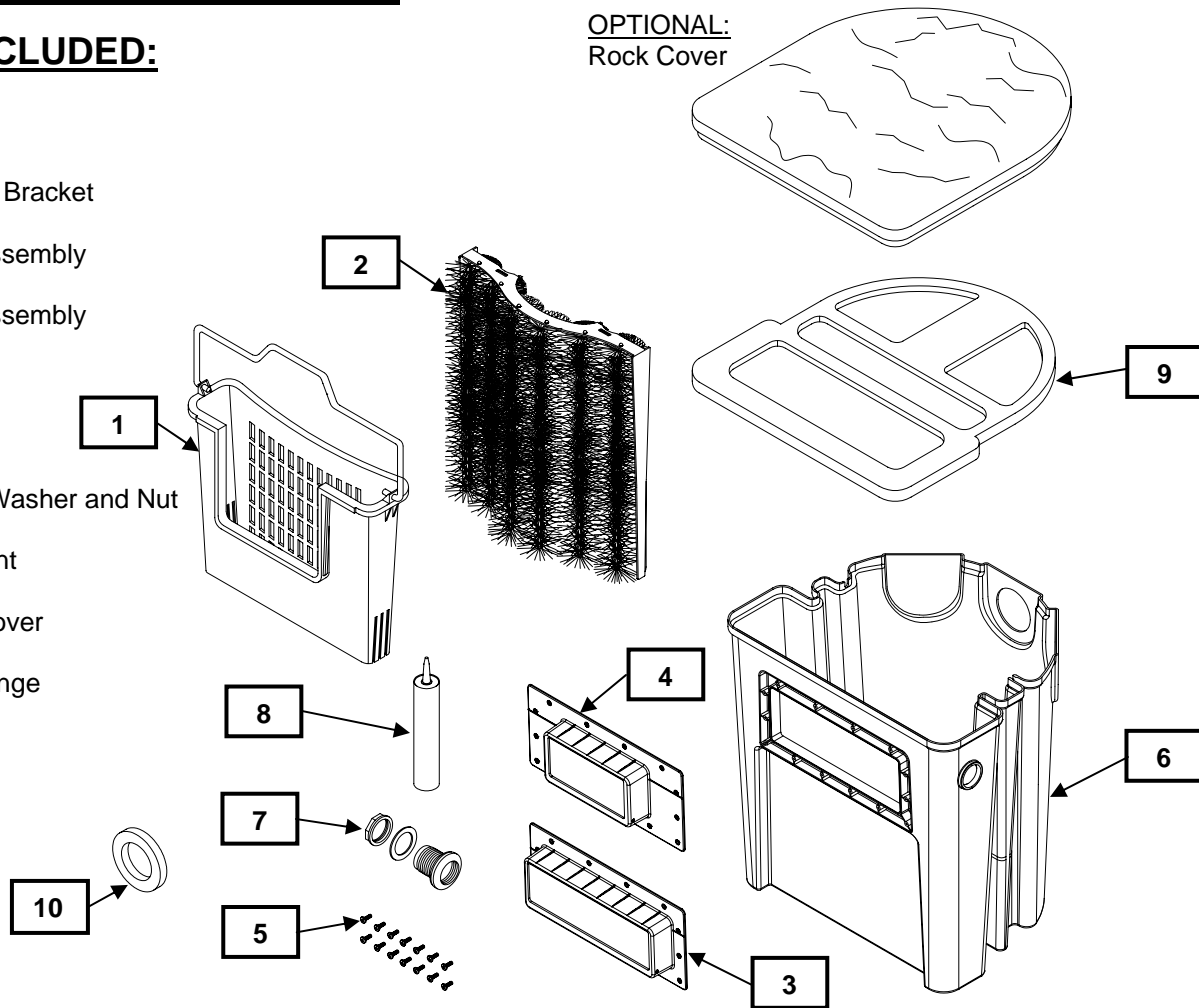


# PSK3 - SKIMMER INSTALLATION

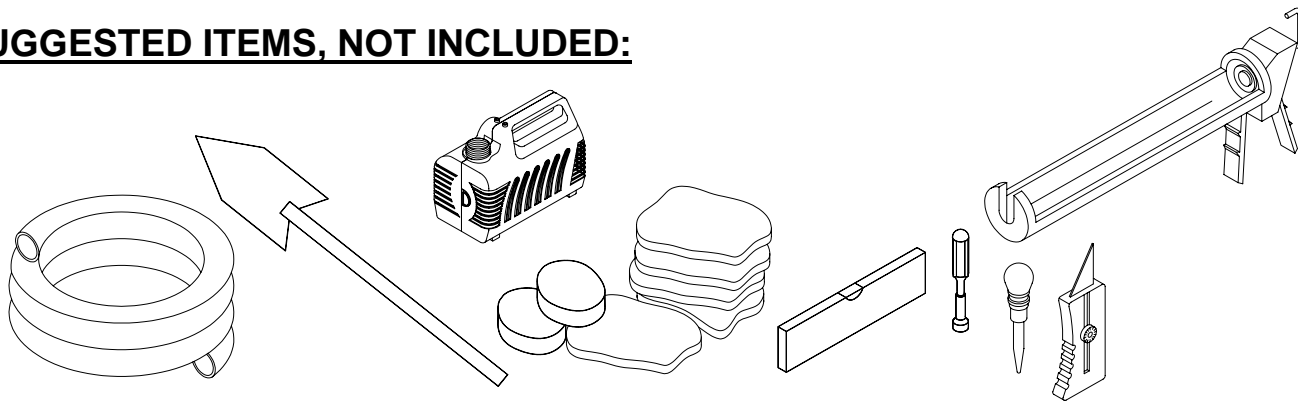
084-120817  
Rev. A  
Page 1 of 6

## ITEMS INCLUDED:

- 1) Leaf Basket
- 2) Brush Filter Bracket
- 3) 16" Door Assembly
- 4) 10" Door Assembly
- 5) 14 Screws
- 6) Skimmer
- 7) Bulkhead, Washer and Nut
- 8) Liner Sealant
- 9) Skimmer Cover
- 10) Debris Flange



## SUGGESTED ITEMS, NOT INCLUDED:



Pump Tubing or Pipe

Flat Rocks or Round Stones

Awl or Punch

Caulking Gun

Shovel

Carpenter's Level

Utility Knife

Pump

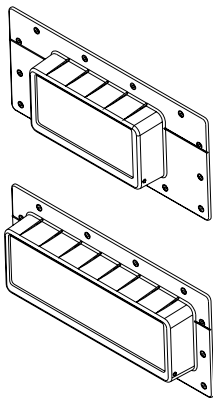
Hex Driver

PVC Fittings as needed (Elbows, Checkvalves, ETC.)

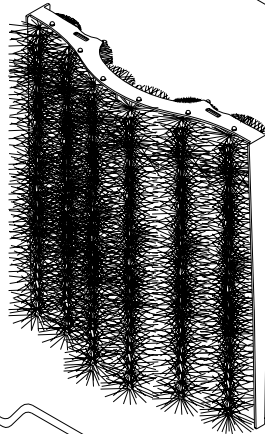
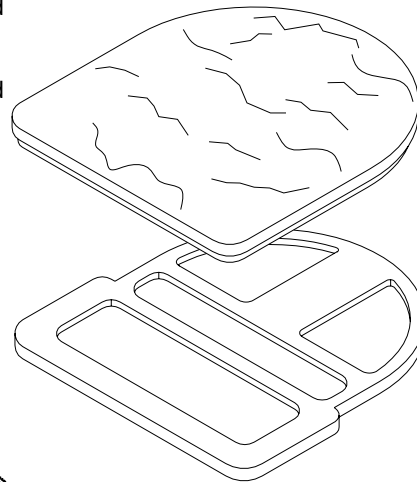
Door Inlet Choice:

1) 10" use when Pump flow rates are over 5000 GPH.

2) 16" use when Pump flow rates over 7500 GPH.

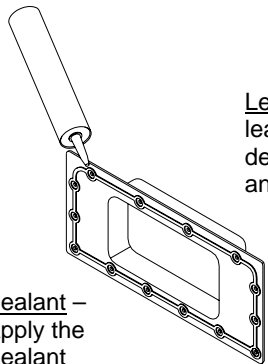


**OPTIONAL:** Realistic looking Rock Lid. When assembly is complete place this Lid on top of the Skimmer. To hide the Lid and Skimmer make it blend in by placing some of your landscape rocks and stones on top.

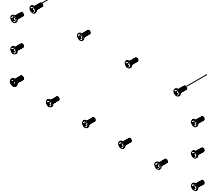


**Debris Flange:** Install around your 3" Diameter PVC Pump Discharge and then slide back up against the Skimmer to prevent debris from washing into the Skimmer.

**Leaf Basket** – catches leaves and other large debris. Easy to lift out and clean.



**Sealant** – Apply the Sealant around the screw holes and connecting the screw holes (see example) before installing the Door and Liner.



After applying Sealant to the back side of the Door place the Liner over the front surface of the Skimmer. Hold the Door in place and poke the screw holes in the Liner with the Awl. Attach the 14 screws.

Liner

**Knock-Out Hole** for over-flow. You have the choice of whether you want an over-flow or not. To complete the opening use a hammer and/or screw driver to knock out whichever side you choose. The Bulkhead and Rubber Washer is to be placed on the inside, the Nut is on the outside. 1 1/2" PVC Pipe may be attached to the Bulkhead.

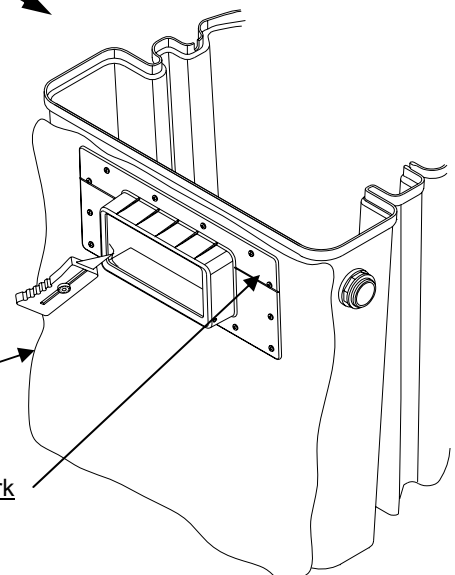
Bulkhead

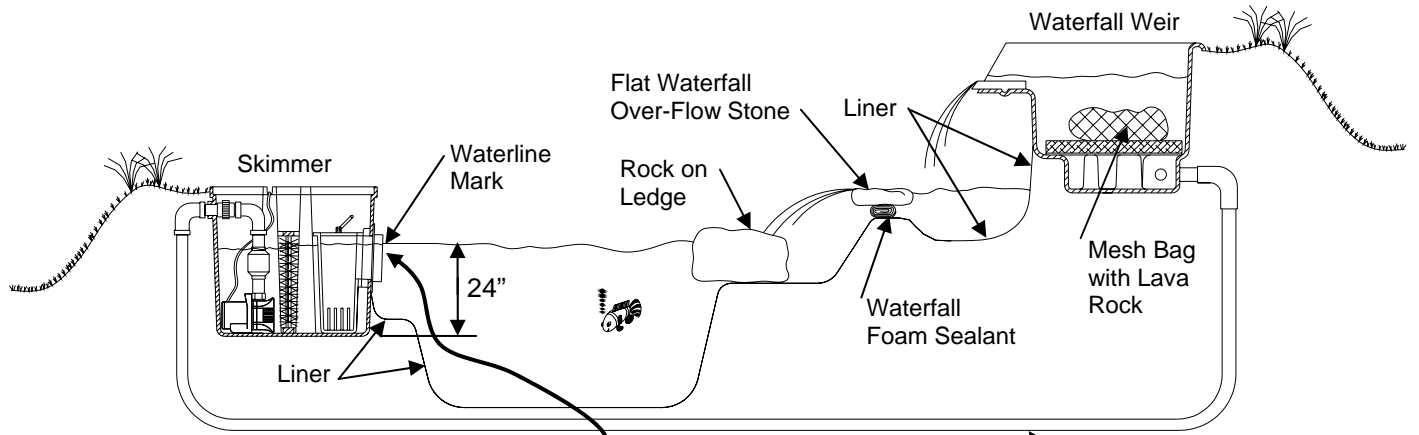
With the Door Panel open, Use the Utility Knife to cut the Liner the same size as the Door opening.

Liner

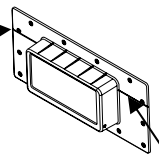
When placing the Skimmer into the pond the waterline is not to be any higher than the Waterline Mark. Please see the diagram below for further explanation.

Waterline Mark

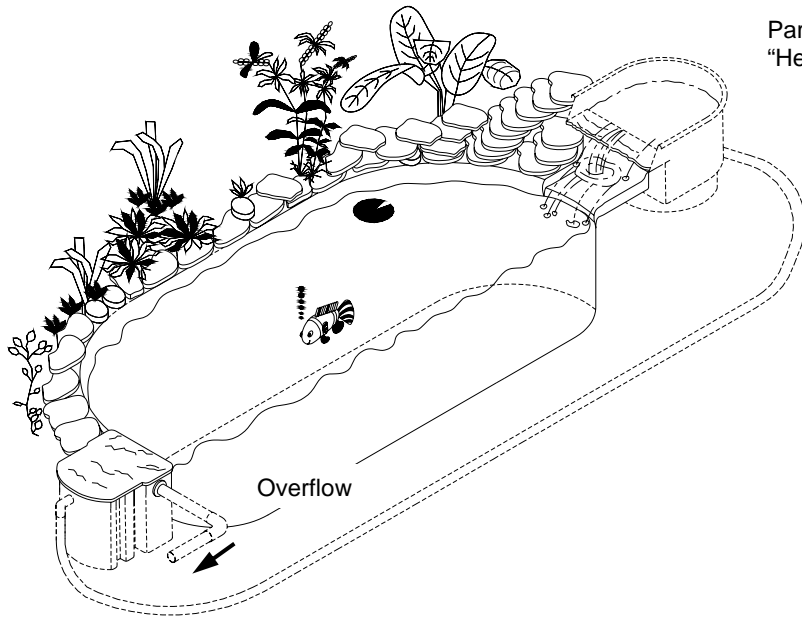




Dig a hole for the Skimmer 24" down from the desired Pond water level. Make sure that your desired water level matches the Water Level Mark on the Door's Mounting Frame. Adjust by adding or removing soil. Backfill around the entire unit by hand packing every 2 or 3 inches and lightly moistening the backfill to aid in settling.



Buried Flex PVC Pipe - Connects the Waterfall Weir to the Skimmer.  
Waterline Mark

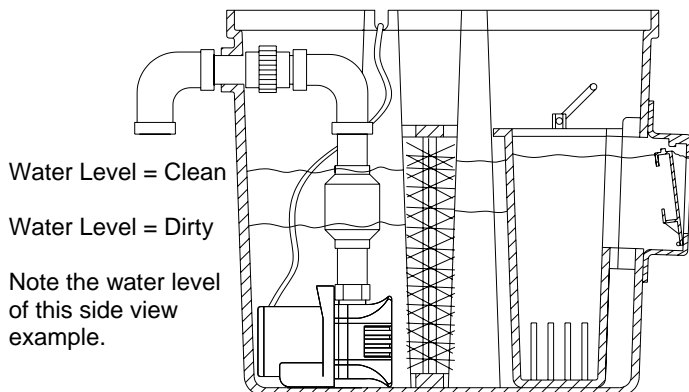


Partially bury the Skimmer – please read the following "Helping Site Planning Hints" before placing the Skimmer.

### **HELPFUL SITE PLANNING HINTS**

- Avoid placing rocks or plants directly in front of the Skimmer. Anything placed in front will interfere with the skimming action.
- Choose a high-levelled site that will not collect rainwater and will allow water drainage.
- Check to ensure there are no buried utilities before you start to dig.
- Waterfalls generally face the viewing area. Place the Skimmer so it faces the Waterfall and allow enough room on the sides and back of the filter for ease of regular maintenance.

### **MAINTENANCE**



Water Level = Clean  
Water Level = Dirty  
Note the water level of this side view example.

Push the door all the way up to snap the door lock tab into place to pump skimmer down for clean out.

When clean -- the water level before and after the brushes would be close to the same.

When dirty -- the water level after the brushes would be much lower than the water level in front of the brushes.

Remove the Leaf Basket and dump the leaves and other debris out. Pull the Brush Filter Bracket out and rinse it with a garden hose.

Check your water level frequently. It is not necessary to clean the Brushes when there is little water level difference.

## LIMITED WARRANTY

Each Crystal Pond Professional Products are warranted to be free from defects in material and workmanship for the applicable Warranty Period (herein so called) set forth below. The Warranty Period for each product commences on the date of purchase by the original purchaser. The Warranty Periods are as follows:

<u>Product Type or Name</u>	<u>Warranty Period</u>
-----------------------------	------------------------

Liner Material:

35 mil PVC.....	20 Years
40 mil EPDM.....	20 Years
20 mil PVC.....	15 Years

Waterfall Weir & Skimmer.....5 Years

All Other Crystal Pond Products.....90 days

**APPLICATION:** The warranty covers only properly installed and maintained Crystal Pond products and is limited to application at normal temperature, 32°F to 86°F, (0°C to 30°C) pumping fluids with a specific gravity up to 1.1 and with a pH range of 5 to 9 (fresh water). Other liquid applications and extreme temperature uses must be approved in advance by Beckett. The warranty does not apply to or cover damages or defects caused by external causes, including, but not limited to, improper or faulty installation or unauthorized modification, lightning, electrical surges, abuse, misuse or abnormal use or misapplication, including use in a manner inconsistent with the product's intended function. The purchaser is responsible for determining the suitability of the product for its intended use. If products are damaged in transit, a claim should be filed with the carrier.

**REMEDY:** If there has been a failure to conform to the warranty, Beckett will, at Beckett's option, repair, replace or issue a refund for the particular nonconforming product or part. Repair, replacement or refund, at Beckett's option, is the exclusive remedy in the event of a failure to conform to the warranty. Warranty claims must be made within 3 months after expiration of the applicable Warranty Period.

**ADMINISTRATION:** Warranty claims must be made by returning the nonconforming Beckett product, freight prepaid, along with proof of purchase, to: Beckett Corporation, Customer Service Dept., 3321 E. Princess Ann Rd., Norfolk, Va. 23502, telephone (866) 466-4319. Telephone authorization from Beckett is required prior to returning nonconforming products or parts. All products or parts returned will be inspected to determine cause of failure before warranty is approved.

**INSTALLATION, REMOVAL AND/OR SHIPPING CHARGES:** The warranty does not cover any costs associated with the installation, removal or shipping of products subject to warranty claims.

**DISCLAIMER AND LIMITATION:** THE EXPRESS WARRANTY AND REMEDIES SET FORTH ABOVE ARE EXCLUSIVE AND IN LIEU OF ALL OTHER WARRANTIES AND REMEDIES, WHETHER ORAL OR WRITTEN, EXPRESS OR IMPLIED. TO THE FULL EXTENT PERMITTED BY LAW, BECKETT EXPRESSLY DISCLAIMS ANY AND ALL IMPLIED WARRANTIES, INCLUDING, WITHOUT LIMITATION, THE IMPLIED WARRANTIES OF MERCHANTABILITY AND FITNESS FOR A PARTICULAR PURPOSE. IF IMPLIED WARRANTIES CANNOT BE DISCLAIMED, ALL SUCH IMPLIED WARRANTIES ARE LIMITED TO THE DURATION OF THE APPLICABLE EXPRESS WARRANTY.

BECKETT DOES NOT ACCEPT LIABILITY BEYOND THE REMEDIES EXPRESSLY SET FORTH IN THIS WARRANTY. IN NO EVENT SHALL BECKETT BE LIABLE OR RESPONSIBLE FOR INCIDENTAL OR CONSEQUENTIAL DAMAGES. BECKETT'S AGGREGATE LIABILITY UNDER THIS WARRANTY OR WITH RESPECT TO ANY PRODUCT COVERED HEREBY, UNDER ANY LEGAL THEORY, SHALL NOT EXCEED THE PURCHASE PRICE PAID FOR THE NONCONFORMING PRODUCT. THE LIMITATIONS CONTAINED IN THIS PARAGRAPH SHALL NOT APPLY TO INJURY TO THE PERSON.

Some States do not allow the exclusion or limitation of incidental or consequential damages or exclusions or limitations on the duration of an implied warranty, so the above limitations or exclusions may not apply to you. This warranty gives you specific legal rights and you may also have other rights that vary from State to State.

**FOR YOUR RECORDS:**

Date of Purchase \_\_\_\_\_

Model Number \_\_\_\_\_

Name of Dealer \_\_\_\_\_

**PLEASE KEEP RECEIPT IN CASE OF WARRANTY SERVICE.**

**BECKETT CORPORATION**

3321 E. Princess Ann Rd.

Norfolk, Va. 23502

www.888beckett.com

Toll Free: 1-866-466-4319

© 2007 BECKETT CORPORATION All Rights Reserved