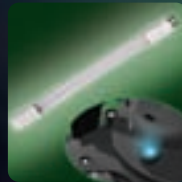


# Green Reset

**OUR EXPERIENCE FOR YOUR HEALTHY AND CRYSTAL CLEAR POND!**

The new SICCE Green Reset Pond Filter introduces a new era in pond keeping. This new external pressurized UVC Bio-filter is available in two models - 25 L & 40 L - with great filtration capacity for small and large ponds.

## 3 STAGES FILTRATION



Mechanical filtration

Biological filtration

UV-C sterilization with ON/OFF led indicator

Green Reset 25



Green Reset 40

## WORKING POND



## PROFESSIONAL BACKWASH



The innovative design of the Green Reset makes maintenance operations simple and quick. 3 simple steps make cleaning and breeze:  
 1 - Lift the handle on the top of the cover.  
 2 - Turn the lateral grip handles in the cleaning position and then the flow selector handle.  
 3 - Push the big handle down to squeeze the internal sponges (patented mechanism).

## Handling Capacity

Handling capacities listed on the GreenReset packing and the chart above are conservative compared to our real-world tests performed at Sicce USA. Tests on the chart include only the filter and the appropriate pump without additional circulation, aeration, or the benefits of plants and bog gardens. At SICCE USA, the GreenReset 40, under rigorous testing against other pond filters on the market, in moderately loaded koi ponds, reached 5300 gallons filtration capacity. Testing included ponds with bog gardens and other aquatic plants and flow rates that exceeded what was being fed through the filter itself. As bio-load increases, careful attention to filtration and flow rates should be monitored to assure adequate ammonia conversion and strong oxygen levels.

## Technical data

	Green Reset 25	Green Reset 40
UV-C	10 W	20 W
Max Pressure	0,4 bar - 5.8 PSI	
Filter Volume	6.60 gal	11 gal
Max Flow	1000 gph	2200 gph
Outlet	1" mipt 1-1/2" hose	



Gold fishes with concentration lower than 5 cm for 100 litres



Koi fishes and Gold fishes with concentration higher than 5 cm for 100 litres

Pond Size	Green Reset 25		Green Reset 40		Green Reset 25 & 40	
	Green Reset 25	Green Reset 25	Green Reset 40	Green Reset 40	Green Reset 25 & 40	Green Reset 25 & 40
1060 US gal	Green Reset 25	Green Reset 25	Green Reset 25	Green Reset 25	Green Reset 25	Green Reset 25
2200 US gal	Green Reset 25	Green Reset 25	Green Reset 25	Green Reset 25	Green Reset 40	Green Reset 40
3200 US gal	Green Reset 40	Green Reset 40	Green Reset 40	Green Reset 40	Green Reset 25 & Green Reset 40	Green Reset 25 & Green Reset 40
4200 US gal	Green Reset 40	Green Reset 40	Green Reset 25 & Green Reset 40	Green Reset 25 & Green Reset 40	Green Reset 25 & Green Reset 40	Green Reset 25 & Green Reset 40
4800 US gal	Green Reset 25 & Green Reset 40	Green Reset 25 & Green Reset 40	2 x Green Reset 40	2 x Green Reset 40	2 x Green Reset 40	2 x Green Reset 40



## Pressurized Pond Filter with UVC Lamp

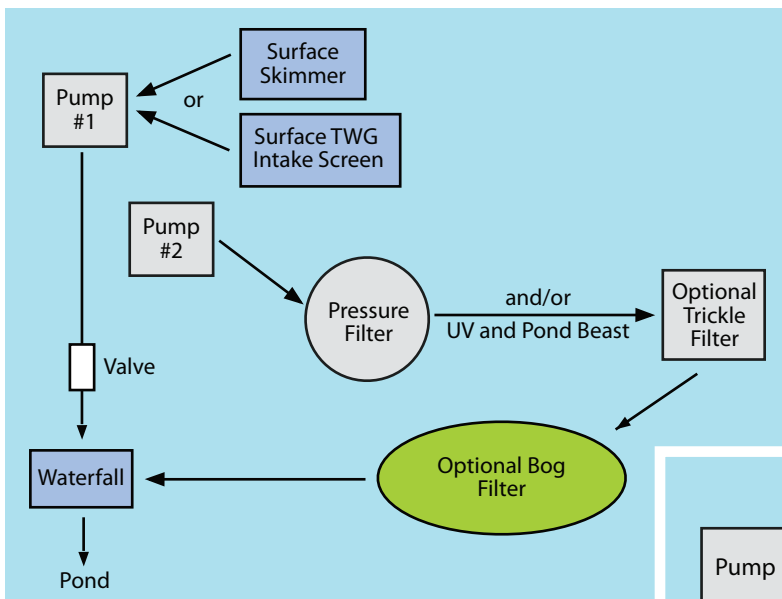
The new Pressurized UV Bio-Filter is available in the 50L canister with a great filtration capacity for medium to large ponds. NINPHEO offers mechanical filtration with 3 sponges of different densities and an efficient UV sterilizer for crystal clear pond water. Use with any Sicce Pumps, max 5.8 psi.

- Pond Size: 6500 gallons
- Features: 36W UV
- 1-1/2" Inlet/Outlet fittings
- Backwash feature

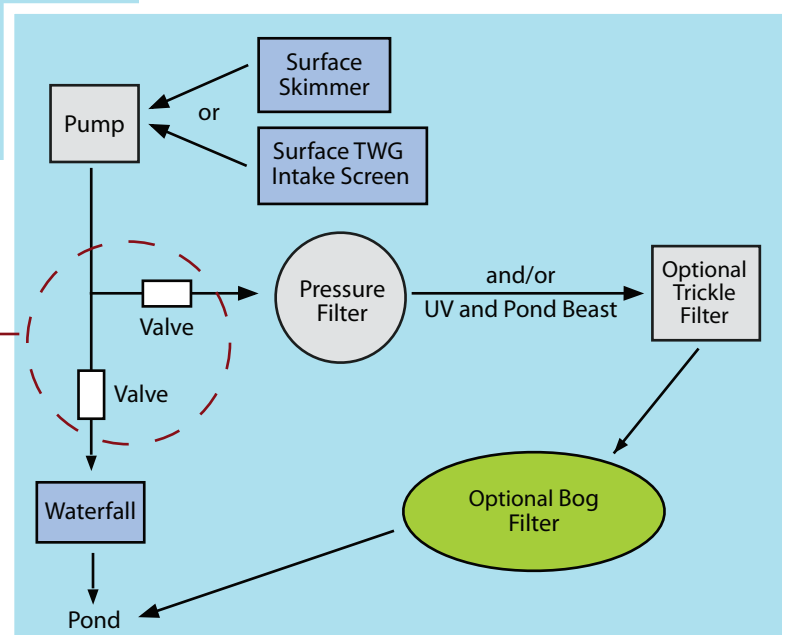


### Bog Garden Plumbing Schematics

Ponds powered by dual pumps assure redundancy and maximum efficiency. The pump not powering the filter can be turned off at night with a timer to save electricity. Increased oxygenation is assured during the day, when oxygen demands are greatest, with both pumps running. The first diagram shows an dual pump configuration for maximizing energy efficiency.



The diagram below shows a single pump installation.



This configuration avoids sending too much pressure to the filter if the pump generates more than 5.8 psi.