

Laguna

MAX-FLO

Laguna

MAX-FLO

120V 60Hz
4200

230-240V 50Hz
16000

Installation and Maintenance Guide

READ THOROUGHLY BEFORE ATTEMPTING INSTALLATION AND KEEP FOR FUTURE REFERENCE

Notice d'installation et d'entretien

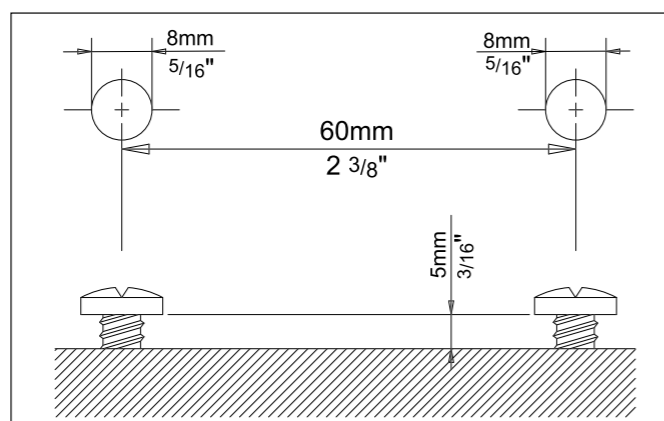
LIRE SOIGNEUSEMENT AVANT D'ENTREPRENDRE L'INSTALLATION DE L'APPAREIL. CONSERVER CETTE NOTICE POUR RÉFÉRENCES ULTÉRIEURES.

Einbau- und Wartungsanleitung

SORGFÄLTIG VOR BEGINN DER INSTALLATION DURCHLESEN UND FÜR SPÄTERE VERWENDUNG AUFBEWAHREN

Guía de instalación y mantenimiento

LEA ATENTAMENTE ESTE FOLLETO ANTES DE INTENTAR LA INSTALACIÓN Y GUARDE ESTAS INSTRUCCIONES PARA REFERENCIA FUTURA



Template for mounting the pump to a fixed base

The pump has two keyhole-shaped slots at the bottom of the cage that allow you to fasten the pump to a fixed base using the screws and, if necessary, the plug anchors (for cement bases) provided.

Use this template to determine the exact position of the screws on the fixed base. Note that the base must be elevated, solid, and secure.

Schablone zur Montage der Pumpe auf einem fest montierten Sockel

Die Pumpe weist am Korbboden zwei schlüsellochförmige Schlitzlöcher auf, die es Ihnen gestatten, sie mittels der mitgelieferten Schrauben bzw. Dübel (für Zementsockel) auf einem fest montierten Sockel anzubringen.

Verwenden Sie diese Schablone, um die genaue Position der Schrauben auf dem fest montierten Sockel zu bestimmen. Beachten Sie, dass der Sockel erhöht liegen und solide und sicher montiert sein muss.

Modèle pour le montage de la pompe à une base fixe

La pompe est munie de deux ouvertures en forme de trous de serrure situées sous le boîtier vous permettant d'attacher la pompe à une base fixe à l'aide des vis, et si nécessaire, à l'aide des ancrages (pour base de ciment) qui sont fournis.

Utiliser ce modèle pour déterminer la position exacte des vis sur la base fixe. Noter que la base doit être élevée, solide et stable.

Plantilla para montar la bomba a una base fija

La bomba tiene dos ranuras tipo ojo de cerradura en la parte inferior de la caja que permiten sujetar la bomba a una base fija usando los tornillos y, si fuera necesario, los sujetadores del enchufe (para las bases de cemento) provistos.

Utilice esta plantilla para determinar la posición exacta de los tornillos con respecto a la base fija. Cerciórese de que la base esté elevada, sólida y segura.

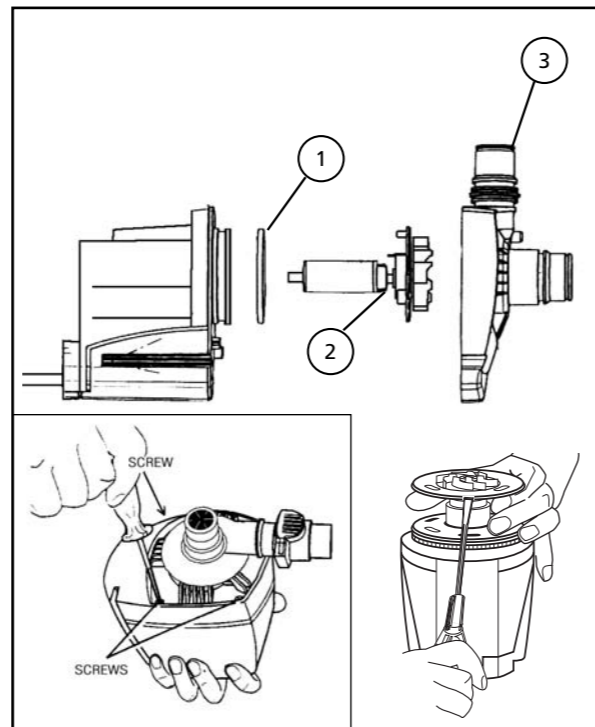
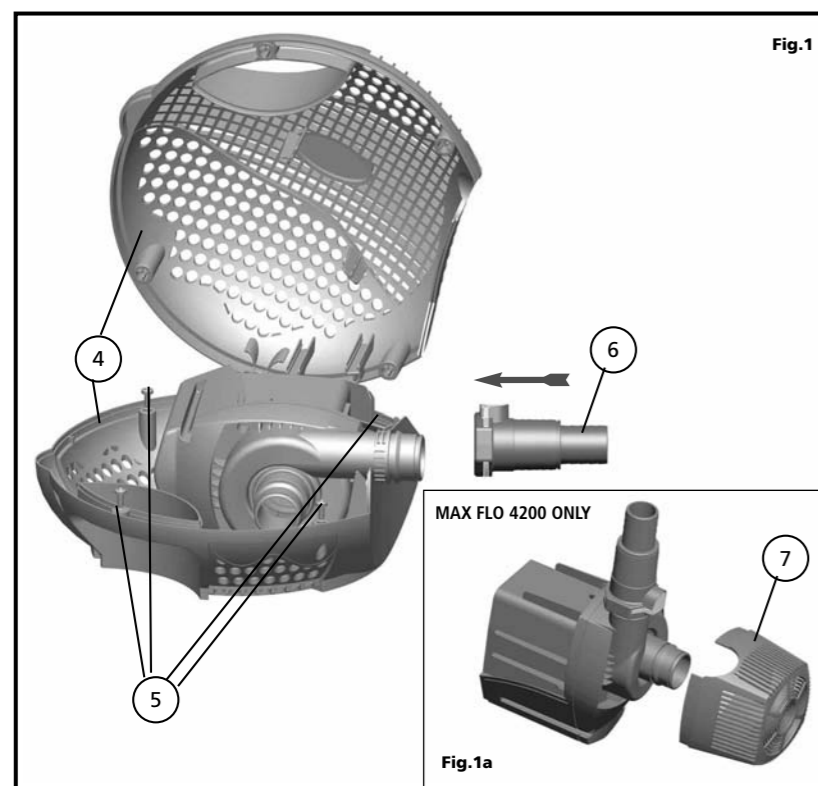
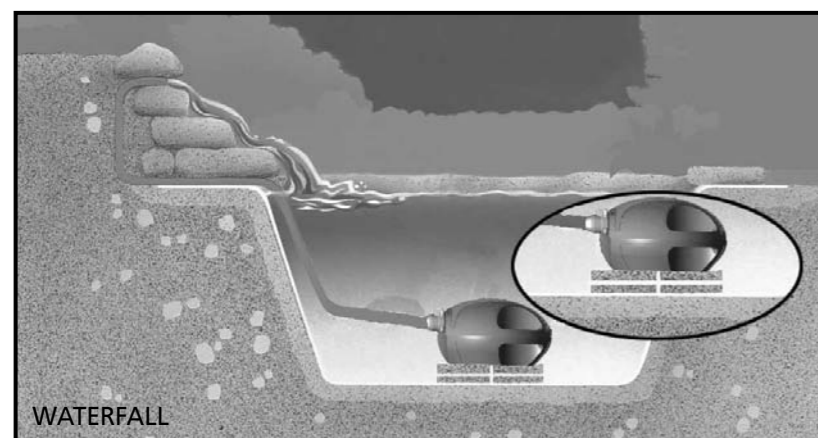


Laguna MAX-FLO

English Instructions..... 1
 Instructions en français 5
 Gebrauchsanleitung auf Deutsch 9
 Instrucciones en español 13

Winterizing the Pump
 Préparation de la pompe pour l'hiver
 So machen Sie Ihre Pumpe winterfest
 Acondicionamiento de la bomba para el invierno..... 17

Warranty Card
 Fiche de garantie
 Garantie-Registrierungskarte
 Tarjeta de Registro de Garantía 10-19



REPLACEMENT PARTS		4200/16000 PT-352
1	Seal Ring	PT-764
2	Impeller Assembly	PT-354
3	Impeller Cover	PT-355
4	Pump Cage	PT-356
5	Pivot Pin Fasteners	PT-447
6	1-1/4 - 1-1/2 Click-Fit Coupling	PT-358
7	Intake Strainer	PT-357

Waterfall and Filter Pump

For freshwater and submersible use only
 Read thoroughly prior to installation and operation

IMPORTANT SAFETY INSTRUCTIONS

WARNING: To guard against injury, basic safety precautions should be observed, including the following:

- READ AND FOLLOW ALL SAFETY INSTRUCTIONS**
 And all the important notices on the appliance before using the pump. Failure to do so may result in loss of fish life and/or damage to this appliance.
- DANGER** – To avoid possible electric shock, special care should be taken since water is employed in the use of pond equipment. For each of the following situations, do not attempt repairs yourself; return the appliance to the store where it was purchased if still under warranty.
 - If the appliance shows any sign of abnormal water leakage or if RCD (or GFCI- Ground Fault Current Interrupter) switches off, disconnect the power supply cord from mains (main power supply) and remove pump from water.
 - Carefully examine the appliance after installation. It should not be plugged if there is water on parts not intended to be wet.
 - Do not operate any appliance if it has a damaged cord or plug, or if it is malfunctioning or if it is dropped or damaged in any manner. The power cord of this appliance cannot be replaced; if the cord is damaged, the appliance should be discarded. Never cut the cord.
- Close supervision is necessary when any appliance is used by or near children.
- To avoid injury, do not touch moving parts or hot parts.
- CAUTION** – Always unplug or disconnect all appliances in the pond from the electrical supply before placing hands in water, before putting on or taking off parts and while the equipment is being installed, maintained or handled. When inserting or removing the pump from the water, always pull out the main electrical plug. Never yank the cord to pull the plug from outlet. Grasp the plug and pull to disconnect. Always unplug an appliance from an outlet when not in use. Never lift the Pump by the cord. Use the unit handle.
- CAUTION** – This is a pond pump. This pump has been evaluated for use with water only. Do not use this pump for other than intended use (i.e.: do not use in swimming pools, bathrooms, etc.). The use of attachments not recommended or sold by the appliance manufacturer may cause an unsafe condition.
 - Do not use this pump in swimming pools or other situations where people are immersed;
 - This pump is suitable for use in water temperatures up to 35 °C;
 - Do not use this pump with inflammable or drinkable liquids.
- Do not install or store the appliance where it will be exposed the weather or to temperatures below freezing. Remove and store the pump in a sheltered place. Shelter pump also from direct sunlight. The materials have high stability to sunlight but direct rays may overheat the motor and speed up insulator aging.
- IMPORTANT** - This pump can be operated only when it is correctly installed inside its cage and the cage securely locked with the fastening screws located on the pump handle or outside the cage with an intake strainer attached to the intake of the pump. Make sure that the pump is securely installed before operating it. Do not allow the pump to run dry. The pump must be immersed in water completely. This pump must never operate outside of water.
- If an extension cord is necessary, ensure connection is watertight and dust proof. A cord with proper rating should be used. A cord rated for less amperes or watts than the appliance rating may overheat. Care should be taken to arrange the cord so that it will not be tripped over or pulled. The connection should be carried out by a qualified electrical installer.
- IMPORTANT** – Supply through a Residual Current Device (RCD or Ground Fault Current Interrupter) with rated residual current not exceeding 30 mA.

11. **WARNING** – Risk of electric shock – This pump is supplied with a grounding-type attachment plug. To reduce the risk of electric shock:

- be certain that it is connected only to a properly grounded, grounding-type receptacle
- Use only on portable self-contained fountains no larger than 5 feet in any dimension (FOR U.S.A. ONLY)

SAVE THESE INSTRUCTIONS FOR FUTURE REFERENCE

Only the faithful observation of these installation, electrical and maintenance guidelines will ensure the safe and efficient use of this pump.

ADDITIONAL INSTRUCTIONS FOR U.K. ONLY

This product is designed to be permanently wired to the mains supply in a dry weatherproof enclosure through a double pole switched fused spur which complies to BS3676, fitted with a 3 Amp fuse. The installation must conform to the regulations of the Local Electricity Authority which could include the use of plastic or metal conduit to protect the cable. A 30 mA Residual Current Device 'RCD' must be fitted to the mains supply.

WARNING - THIS APPLIANCE MUST BE EARTHED.

IMPORTANT - The wires in this mains lead are coloured in accordance with the following code:

Brown - Live Blue - Neutral Green/Yellow - Earth

The **Brown** lead should be connected to the Live terminal, which may be marked with an 'L' or coloured brown or red.

The **Blue** lead should be connected to the Neutral terminal, which may be marked with an 'N' or coloured blue or black.

The **Green/Yellow** lead should be connected to the Earth terminal, which may be marked with an 'E' or coloured green or yellow.

PUMP INSTALLATION INSTRUCTIONS

General Information

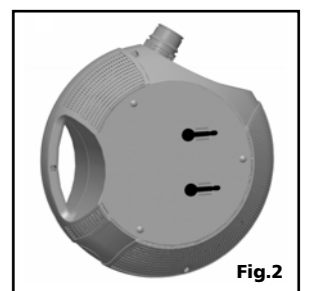
Because of its ability to process water moderately loaded with suspended solid particles (or solids), this Waterfall and Filter Pump is ideal for use with filtration systems and for creating waterfalls and watercourses. The pump is designed to transport suspended solids to suitable external filter systems (including pressurized filters) which then trap any debris that could potentially pollute pond water, effectively filtering the pond. The pump is not suitable for supplying water to fountainheads, because the fountainhead jets could easily become clogged by solids processed by the pumps.

The pump motor sits inside a uniquely-shaped cage that is designed to allow the passage of solids up to a determined size of 3/8" (10 mm). Bigger solids may clog and damage the pump.

For the 230-240 V/50 Hz version (Max-Flo 16000): The pump must never be used without its cage.

For the 120 V/60 Hz version (Max-Flo 4200): The pump is sold with an add-on intake strainer which can be connected to the input of the pump, in the event that you want to use the pump without its cage in instances where space is limited, such as in the chamber of a skimmer filter.

For improved operation, place the pump in the deepest part of the pond. At minimum, it must be placed at a depth of 8 inches or 20 cm. If necessary, you can secure the pump to a fixed base by using the keyhole-shaped slots, located at the bottom of the cage, which are shaped to allow the fast engaging/disengaging of the pump from the base. (Fig.2)



Check that the information on the nameplate (which is located on the pump) corresponds to the power supply.

The electrical installation and wiring must comply with the safety standards in your area. If unsure, ask a qualified electrician to do the wiring. The electrical cord must be protected against any objects that may potentially damage it. The electrical receptacle/socket must be located in a dry, protected and easily accessible place.

WARNING: Always unplug or disconnect all appliances in the pond from the electrical supply before installing, repairing, maintaining or handling the equipment in the water.

IMPORTANT: To achieve the best pump operation, always use the largest bore hose possible. Avoid sharp bends in the hosing; gradual curves are preferred.

Installation:

WARNING: Do not plug in the pump before it is correctly and fully installed.

- 1) Connect a flexible hose (not included) to the "Click-Fit" coupling provided. If necessary cut the coupling at the required size by using a small hack saw in order to allow the hose to fit properly and to achieve the best water flow.
- 2) Insert the coupling, complete with hose attached, onto the outlet of the pump
- 3) Place the pump in the pond ensuring that it is completely immersed in water and securely installed on a solid, level and elevated platform. If necessary, use the keyhole-shaped slots at the bottom of the pump to fasten it to a secure base.
- 4) Connect the other end of the hose to a filter or waterfall (not included) according to your requirements

Installing the intake strainer

(available with Max-Flo 4200 only)

The pump is sold with an add-on intake strainer that can be connected to the input of the pump, in the event that you want to use it without its cage in instances where space is limited, such as in the chamber of a skimmer filter.

- 1) Remove the pivot pin fasteners as described below in *Opening and Closing the Pump Cage*.
- 2) Remove the pump from the cage and attach the intake strainer over the intake of the pump (See Fig 1a)
- 3) Connect the hosing as described in the installation procedure above and install the pump in the desired location, or if necessary, place the pump in the desired location and connect the hosing to the output of the pump

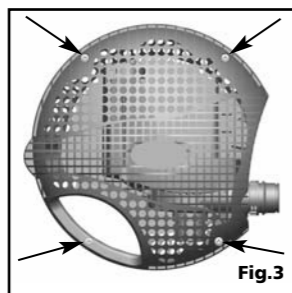
Do not allow the pump to run dry.

Opening and Closing the Pump Cage (See Fig.3)

The upper and lower halves of the pump cage are fastened together by pivot pin fasteners. Using a standard flat screwdriver (5 mm to 8 mm), do the following:

To open the pump cage: Gently turn the fastener counterclockwise by 1/4 to release the pin.

To close the pump cage: Gently press on the fastener and turn clockwise by 1/4 to lock the pin.



Pump Operation

Once the pump is fully installed, it can be started by inserting the plug in the electrical receptacle/socket.

Pump Maintenance

WARNING: Always unplug or disconnect all appliances in the pond from the electrical supply before installing, repairing, maintaining or handling the equipment in the water.

To avoid shortening the life of the pump, follow these simple maintenance procedures:

- Once a week, verify that the pump performance is satisfactory. If you detect a drop in pump performance (such as a decrease in water flow from the pump or to the waterfall) first clean the Pump Cage and the hosing. If the water flow is still not fully restored to its original performance, clean the Impeller, Impeller Well and Impeller Cover (*Cleaning the pump motor impeller, impeller well, and impeller cover*)
- The Pump Cage must be cleaned at least once a month
- When necessary, or at least once a year, clean the pump motor completely (Impeller, Impeller Well, and Impeller Cover) and check that no limestone deposits, which could jeopardize pump operation, are present
- To keep the pump in good working order, always replace any worn parts
- The pump motor has no user serviceable parts. If the motor or the electrical cord is damaged, discard the pump
- If you have any doubts, consult your Laguna retailer or call the appropriate customer service department listed at the back of this manual

Cleaning the Pump Cage

The main purpose of the Pump Cage is to keep the pump free of bigger solid particles (or solids) that could potentially clog the pump motor. It is therefore normal that these solids progressively accumulate on the external surface of the cage. With the passing of time, they can diminish the performance of the pump, as evidenced by less water flow to the filter or waterfall. To clean the cage and restore the pump performance to its original level, proceed with one of the following:

- Without removing the pump from the pond, brush off the debris from the external surface of the cage using a broom or similar tool. For best results, brush the cage along the ribs
- Remove the pump from the pond, unlock the pivot pin fasteners (Fig.3) and remove the upper half of the cage. Clean all components with streaming water from a garden hose. Reassemble all components with care

Ensure that the pump cage is securely locked and the electrical cord is seated properly in position before lifting or operating the pump (see *Closing the Pump Cage*).

Cleaning the pump motor impeller, impeller well, and impeller cover

CAUTION: The pump motor includes a high quality ceramic shaft that provides long-lasting, reliable performance when properly maintained. However, extreme care should be taken when handling the shaft during maintenance. Avoid dropping or pressing too hard on it to avoid breakage or hairline fractures, which may cause the shaft to snap while in operation.

Take the pump out of the pond, unlock the pivot pin fasteners and remove the upper half of the cage. Free the pump from the lower half of the cage.

- 1) Using a Phillips (cross-headed) screwdriver, unscrew the four screws on the impeller cover (4) and remove the impeller cover
- 2) Using a flathead screwdriver, carefully lift out the impeller assembly.
- 3) Clean all components in clean water only, using a small, non-abrasive brush, if necessary. **DO NOT USE DETERGENTS OR OTHER CHEMICAL CLEANERS** which could damage the pump and pollute the pond
- 4) Reassemble all components with care (see *Closing the Pump Cage*), ensuring that the impeller bearing, bushing and O-Ring are correctly placed at the bottom of the impeller well.

Replacing the Bushing and O-Ring (Replacement pack not included. Part # PT-466).

Though the bushing is made of very resistant material, it is prone to wearing in certain conditions. For this reason, it is recommended that you replace it whenever the impeller unit is replaced. Follow the instructions provided with the replacement parts package. Once you

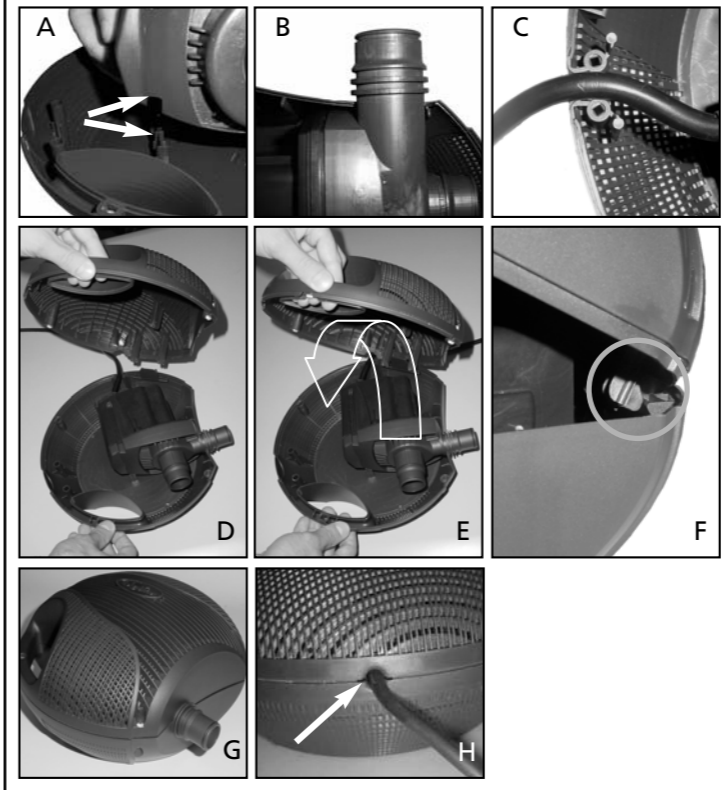
have replaced the Bushing and O-Ring, reassemble all parts with care (see Fig.1 & *Closing the Pump Cage*).

Closing the Pump Cage

Place the pump inside the bottom half of the cage. Ensure that the electrical cord is properly seated inside the recess located on the bottom half of the cage.

At a 45° angle, join the top half of the cage to the bottom half of the cage by first aligning the two posts, located on the top half of the cage, with the two docking holes, located at the bottom half of the cage. Close the cage completely, ensuring that both halves are fully aligned. Lock the pivot pin fasteners as explained in section called *Opening and Closing the Pump Cage*.

Ensure that the pump cage is securely locked and the electrical cord is seated properly in position before lifting or operating the pump.



TROUBLESHOOTING

LOW FLOW FROM PUMP

- Check that the pump cage is clean
- Check the hose for blockages
- Check that the pump is free of dirt and debris

NO FLOW FROM PUMP

- Check that the power supply is on
- Check the fuse (UK market only) and wiring
- Check that the plug is correctly connected to the electrical receptacle/socket
- Check that the pump cage is clean
- Check the hose for blockages
- Check that the pump is free of dirt and debris
- Check that the pump is completely immersed in water

MAX-FLO PUMP	4200/16000 PT-352		
Volts	120	230-240	
Hertz	60	50	
Watts	160	160	
Maximum depth	6'6" / 2 m		
Max flow rate	US GPH	4200	4200
	LPH	16000	16000
Max head	ft	14'9"	14'9"
	m	4.5	4.5
Degree of protection	IPX8		

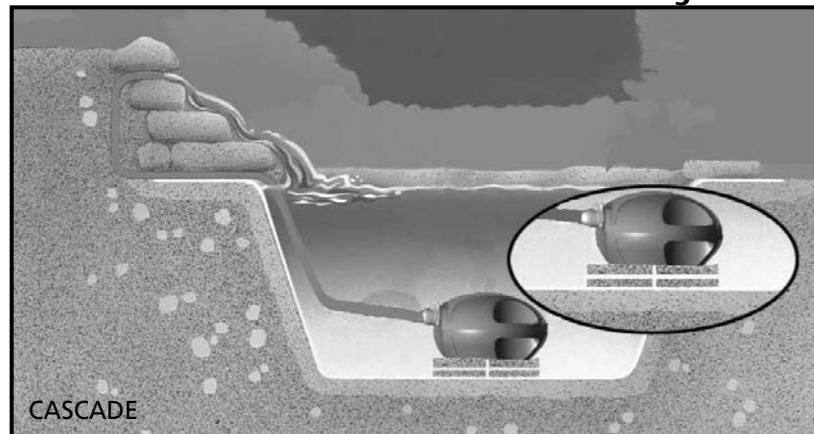
WARRANTY

The pump is guaranteed against defects in material or workmanship for a period of 3 years from date of purchase, under normal usage. The pump will be repaired or replaced at manufacturer's discretion, free of charge. This warranty does not apply to any pump that has been subjected to misuse, negligence, tampering or accidental damage to the impeller or impeller shaft. No liability is assumed with respect to loss or damage to livestock or personal property irrespective of the cause thereof. This warranty does not affect your statutory rights. Failure caused by misuse is not covered by this warranty.

Laguna

MAX-FLO

INSTRUCTIONS EN FRANÇAIS



CASCADE

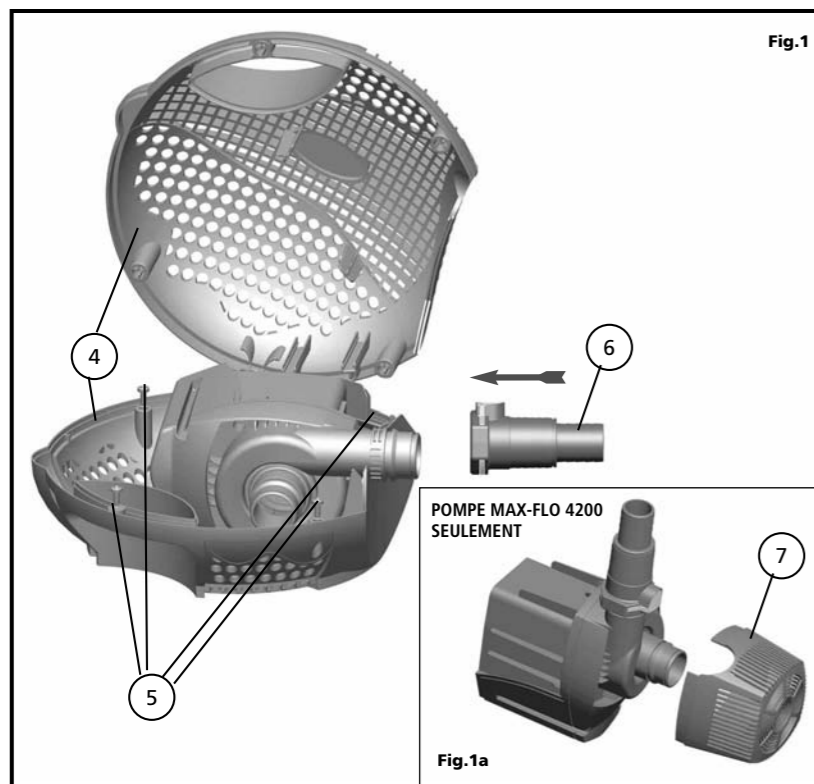
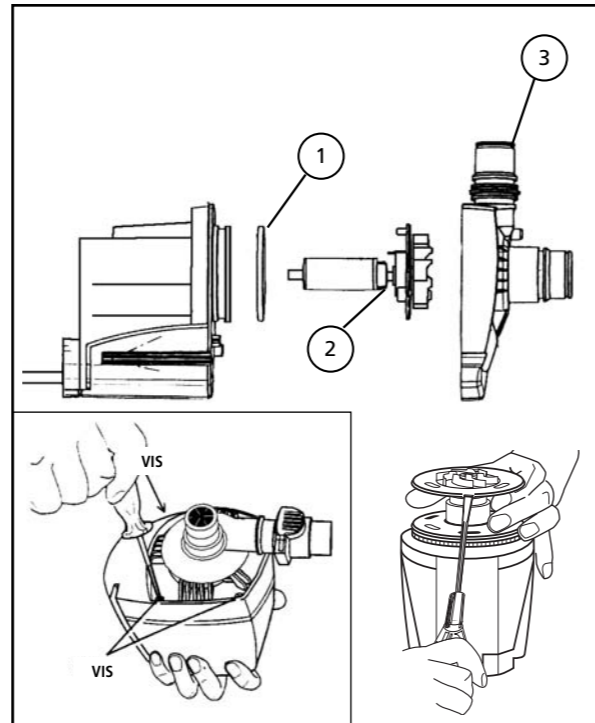


Fig.1a



PIÈCES DE RECHANGE		4200/16000 PT-352
1	Bague d'étanchéité	PT-764
2	Bloc de la couronne	PT-354
3	Couvercle de la couronne	PT-355
4	Boîtier de la pompe	PT-356
5	Axes d'articulation	PT-447
6	Raccord autobloquant de 32 mm et 38 mm (1-1/4" et 1-1/2")	PT-358
7	Crépine d'admission	PT-357

Pompe filtrante pour cascade

Utiliser seulement en eau douce et pour submersion

Lire en entier avant l'installation et la mise en marche

MESURES DE SÉCURITÉ

MISE EN GARDE : Pour éviter tout accident, il est important de prendre les précautions suivantes :

- LIRE ET SUIVRE TOUTES LES MESURES DE SÉCURITÉ** ainsi que toutes les instructions notées sur l'appareil. Sinon, il peut en résulter la perte des poissons ou du dommage à cet appareil.
- DANGER** – Du fait de l'utilisation de l'eau et d'un appareil électrique, une grande prudence est de rigueur avec l'équipement d'un bassin. Dans chacune des situations suivantes, ne pas essayer de réparer l'appareil soi-même; le retourner au magasin où il a été acheté s'il est encore sous garantie.
 - Si l'appareil montre un signe de fuite anormale d'eau ou si le disjoncteur différentiel (ou disjoncteur de fuite de terre) s'éteint, débrancher le cordon électrique du réseau d'alimentation (alimentation principale) et retirer la pompe de l'eau.
 - Examiner soigneusement l'appareil après l'avoir installé. Il ne devrait pas être branché si de l'eau se trouve sur des pièces ne devant pas être mouillées.
 - Ne pas faire fonctionner un appareil si son cordon électrique ou sa fiche sont endommagés, s'il est défectueux, s'il a été échappé ou endommagé d'une façon quelconque. Le cordon d'alimentation de cet appareil ne peut être remplacé; s'il est endommagé, l'appareil doit être jeté. Ne jamais couper le cordon d'alimentation.
- Il est recommandé de surveiller étroitement les enfants qui utilisent un appareil ou se trouvent à proximité.
- Pour éviter les accidents, ne pas toucher aux pièces mobiles ou chaudes.
- ATTENTION** – Toujours débrancher tous les appareils électriques dans le bassin avant de placer vos mains dans l'eau, avant d'installer ou d'enlever des pièces et pendant que l'équipement est installé, entreposé ou manipulé. Au moment de déposer la pompe dans l'eau ou de la retirer de l'eau, toujours débrancher la fiche principale. Ne jamais tirer sur le cordon électrique pour débrancher l'appareil. Prendre la fiche et débrancher l'appareil. Toujours débrancher un appareil quand il n'est pas utilisé. Ne jamais soulever la pompe par le cordon électrique. Utiliser la poignée de l'appareil.
- ATTENTION** – Il s'agit d'une pompe pour bassin. Cette pompe ne doit être employée qu'avec de l'eau. Ne pas l'utiliser pour un emploi autre que celui pour lequel elle a été fabriquée (par exemple, ne pas s'en servir dans une piscine, une salle de bain, etc.). L'emploi de fixations ni recommandées ni vendues par le fabricant de l'appareil peut compromettre sa sécurité.
 - Ne pas utiliser cette pompe dans une piscine ou dans d'autres cas où des personnes sont dans l'eau.
 - Cette pompe convient dans de l'eau pouvant atteindre 35 °C.
 - Ne pas se servir de cette pompe avec des liquides inflammables ou potables.
- Ne pas exposer cet appareil aux intempéries ou à une température en dessous de 0 °C. Retirer et ranger la pompe dans un endroit couvert. La protéger de la lumière directe du soleil. Les matériaux ont une stabilité élevée à la lumière du soleil mais les rayons directs peuvent surchauffer le moteur et accélérer l'usure de l'isolateur.
- IMPORTANT** - Cette pompe ne peut fonctionner que lorsqu'elle est bien placée à l'intérieur de son boîtier et que celui-ci est solidement verrouillé à l'aide des axes d'articulation; ou encore, elle peut fonctionner en dehors du boîtier si une crépine d'admission est fixée à son entrée d'eau. S'assurer que la pompe est bien installée avant de la mettre en marche. Ne pas faire fonctionner la pompe à sec. Elle doit être complètement immergée dans l'eau et ne doit jamais fonctionner en dehors de l'eau.

- Si une rallonge électrique est nécessaire, on doit s'assurer que le raccord est étanche et antipoussière. Il faut utiliser un cordon électrique d'un calibre suffisant. Un cordon de moins d'ampères ou de watts que le calibre de l'appareil peut surchauffer. Le cordon devrait être placé de façon à éviter que quelqu'un trébuche. Le raccordement devrait être effectué par un électricien qualifié.
- IMPORTANT** – Fournir l'électricité à l'aide d'un disjoncteur différentiel (ou interrupteur de défaut à la terre) ayant un courant résiduel ne dépassant pas 30 mA.
- MISE EN GARDE** – Risque de choc électrique – Cette pompe est munie d'une fiche de raccordement de mise à la terre. Afin de réduire le risque de choc électrique :
 - vous assurer qu'elle est branchée seulement à une prise de courant adéquatement mise à la terre.

CONSERVER CES MESURES DE SÉCURITÉ POUR CONSULTATION

Seule l'observation rigoureuse de ces directives concernant l'installation, l'électricité et l'entretien assurera l'utilisation sûre et efficace de cette pompe.

INSTRUCTIONS D'INSTALLATION DE LA POMPE

Information générale

À cause de sa capacité à traiter de l'eau modérément chargée de particules solides (ou de solides) en suspension, cette pompe filtrante pour cascade est idéale pour les systèmes de filtration et pour créer des cascades et des cours d'eau. La pompe est conçue pour transporter des solides en suspension à des filtres extérieurs appropriés (y compris des filtres pressurisés) qui bloquent ensuite les débris pouvant polluer l'eau du bassin et la filtrent efficacement. La pompe ne peut fournir l'eau aux jets de fontaine parce que ces derniers pourraient être bloqués facilement par des solides traités par les pompes.

Le moteur de la pompe est déposé à l'intérieur d'un boîtier de forme unique conçu pour laisser passer des solides jusqu'à 10 mm (3/8"). Des solides dépassant cette taille pourraient bloquer et endommager la pompe.

Modèle de 230-240 V/50 Hz (Max-Flo 16000) : la pompe ne doit jamais être utilisée sans son boîtier.

Modèle de 120 V/60 Hz (Max-Flo 4200) : la pompe est vendue avec une crépine d'admission supplémentaire pouvant être raccordée à l'entrée d'eau quand on veut l'utiliser sans son boîtier dans les cas où l'espace est limité, comme dans le module d'un filtre épurateur.

Pour un meilleur rendement, déposer la pompe dans la partie la plus profonde du bassin. Elle doit être placée à une profondeur d'au moins 20 cm (8"). Au besoin, il est possible d'attacher la pompe à une base fixe en utilisant les ouvertures en forme de trous de serrure situées sous le boîtier pour permettre d'installer la pompe rapidement sur la base et de la dégager également rapidement de la base (Fig. 2).

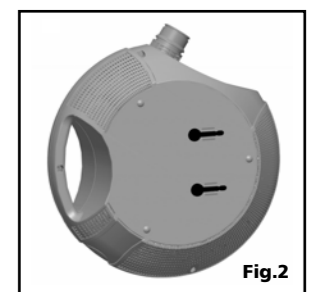


Fig.2

Vérifier que l'information sur la plaque du fabricant (se trouvant sur la pompe) correspond à l'alimentation en électricité. L'installation électrique doit être conforme aux normes de sécurité de votre secteur. En cas de doute, demander à un électricien qualifié de faire l'installation électrique. Le cordon d'alimentation doit être protégé des objets qui peuvent l'endommager. La prise de courant doit être située dans un endroit sec, protégé et facilement accessible.

MISE EN GARDE : Toujours débrancher tous les appareils dans le bassin, de l'alimentation électrique avant d'installer, de réparer, d'entretenir ou de manipuler l'équipement dans l'eau.

IMPORTANT : Afin d'obtenir un rendement élevé de la pompe, toujours utiliser un tuyau du plus grand diamètre possible. Éviter les plis marqués dans le tuyau; des courbes graduées sont préférables.

Installation:

MISE EN GARDE : Ne pas brancher la pompe avant qu'elle soit correctement et complètement installée.

- 1) Raccorder un tuyau flexible (non compris) au raccord autobloquant fourni. Au besoin, couper le raccord à la dimension désirée à l'aide d'une petite scie à métaux pour permettre au tuyau de s'ajuster convenablement et de fournir le meilleur débit.
- 2) Insérer le raccord, auquel on a fixé le tuyau, sur la sortie de la pompe.
- 3) Placer la pompe dans le bassin en s'assurant qu'elle est complètement immergée dans l'eau et bien installée sur une plateforme solide, de niveau et élevée. S'il y a lieu, utiliser les ouvertures en forme de trous de serrure situées sous le boîtier pour la fixer à une base solide.
- 4) Raccorder l'autre extrémité du tuyau à un filtre ou à une cascade (non incluse) selon vos besoins.

Installation de la crépine d'admission (disponible seulement avec la pompe Max-Flo 4200)

La pompe est vendue avec une crépine d'admission additionnelle pouvant être raccordée à l'entrée d'eau quand on veut l'utiliser sans son boîtier dans les cas où l'espace est limité, comme dans le module d'un filtre épurateur.

- 1) Enlever les axes d'articulation tel qu'il est décrit ci-dessous dans **Ouverture et fermeture du boîtier de la pompe**.
- 2) Retirer la pompe du boîtier et fixer la crépine d'admission à l'entrée d'eau de la pompe (voir fig. 1a).
- 3) Raccorder le tuyau tel qu'il est décrit dans la procédure d'installation ci-dessus et installer la pompe à l'endroit désiré, ou s'il y a lieu, placer la pompe à l'endroit choisi et raccorder le tuyau à la sortie de la pompe.

Ne pas laisser la pompe fonctionner à sec.

Ouverture et fermeture du boîtier de la pompe (Fig. 3)

Les deux parties du boîtier de la pompe sont attachées à l'aide d'axes d'articulation. Employer un tournevis plat (de 5 mm à 8 mm) et procéder de la façon suivante :

Pour ouvrir le boîtier de la pompe : tourner doucement la fixation d'un quart de tour en sens inverse des aiguilles d'une montre pour dégager l'axe d'articulation.

Pour fermer le boîtier de la pompe : presser doucement sur la fixation et tourner d'un quart de tour dans le sens des aiguilles d'une montre pour verrouiller l'axe d'articulation.

Fonctionnement de la pompe

Une fois la pompe installée, on peut la faire démarrer en insérant la fiche dans la prise de courant.

Entretien de la pompe

MISE EN GARDE : Toujours débrancher tous les appareils dans le bassin, de l'alimentation électrique avant d'installer, de réparer, d'entretenir ou de manipuler l'équipement dans l'eau.

Pour éviter de raccourcir la durée de fonctionnement de la pompe, observer cette méthode simple d'entretien :

- Une fois par semaine, vérifier que le rendement de la pompe est satisfaisant. Si on décèle une baisse de rendement de la pompe (une diminution du débit d'eau à partir de la pompe ou à la cascade), nettoyer d'abord le boîtier de la pompe, et le tuyau. Si le débit n'est toujours pas complètement rétabli nettoyer la couronne, le puits de la couronne et le couvercle de la couronne (**Nettoyage de la couronne, du puits de la couronne et du couvercle de la couronne du moteur de la pompe**).
- Le boîtier de la pompe doit être nettoyé au moins une fois par mois.
- S'il y a lieu, ou au moins une fois par année, nettoyer le moteur de la pompe complètement (couronne, puits de la couronne et couvercle de la couronne) et s'assurer d'aucun dépôt calcaire qui pourrait compromettre le fonctionnement de la pompe.
- Afin de garder la pompe en bon état, toujours remplacer les pièces usées.
- Le moteur de la pompe ne contient aucune pièce pouvant être réparée par l'utilisateur. Si le moteur ou le cordon électrique sont endommagés, jeter la pompe.
- En cas de doute, consulter votre détaillant Laguna ou téléphoner au service à la clientèle approprié à l'aide de la liste au dos de ce manuel.

Nettoyage du boîtier de la pompe

Le boîtier de la pompe a été principalement conçu pour éloigner les particules solides (ou solides) qui pourraient potentiellement bloquer le moteur de la pompe. Il est donc normal que ces solides s'accumulent progressivement sur la surface extérieure du boîtier, et avec le temps, ils peuvent diminuer le rendement de la pompe alors que moins d'eau se rendra au filtre ou à la cascade. Afin de nettoyer le boîtier et de rétablir le rendement de la pompe à sa capacité originale, il faut procéder de la façon suivante :

- Sans retirer la pompe du bassin, brosser les débris de la surface extérieure du boîtier à l'aide d'un balai ou d'un outil semblable. Pour de meilleurs résultats, brosser le boîtier le long des stries.
- Retirer la pompe du bassin, déverrouiller les axes d'articulation (fig. 3) et ôter la partie supérieure du boîtier. Nettoyer toutes les pièces avec de l'eau d'un tuyau d'arrosage. Assembler de nouveau toutes les pièces avec soin.

S'assurer que le boîtier de la pompe est solidement verrouillé et que le cordon électrique est bien à sa place avant de soulever la pompe ou de la faire fonctionner (voir Fermeture du boîtier de la pompe).

Nettoyage de la couronne, du puits de la couronne et du couvercle de la couronne du moteur de la pompe

ATTENTION : Le moteur de la pompe comprend un arbre de céramique de qualité supérieure qui fournit un rendement durable et fiable lorsqu'il est bien entretenu. Cependant, on doit manipuler l'arbre avec grand soin durant l'entretien. Éviter de l'échapper ou de le presser trop fort afin d'éviter le bris ou les fissures qui le feraient claquer pendant qu'il fonctionne.

Sortir la pompe du bassin, déverrouiller les axes d'articulation et enlever la moitié supérieure du boîtier. Libérer la pompe de la moitié inférieure du boîtier.

- 1) À l'aide d'un tournevis étoilé, dévisser les quatre (4) vis sur le couvercle de la couronne et le détacher.
- 2) À l'aide d'un tournevis à tête plate, soulever la couronne avec soin.
- 3) Nettoyer toutes les pièces dans de l'eau propre seulement avec une petite brosse non abrasive, au besoin. NE PAS UTILISER DE DÉTERGENTS NI D'AUTRES NETTOYANTS CHIMIQUES qui pourraient endommager la pompe et polluer le bassin.

- 4) Assembler de nouveau toutes les pièces avec soin (voir **Fermeture du boîtier de la pompe**) en s'assurant que le coussinet, la bague et le joint d'étanchéité de la couronne sont correctement placés dans le fond du puits de la couronne.

Rechange de la bague et du joint d'étanchéité (Emballage de rechange non inclus. Pièce n° PT-466).

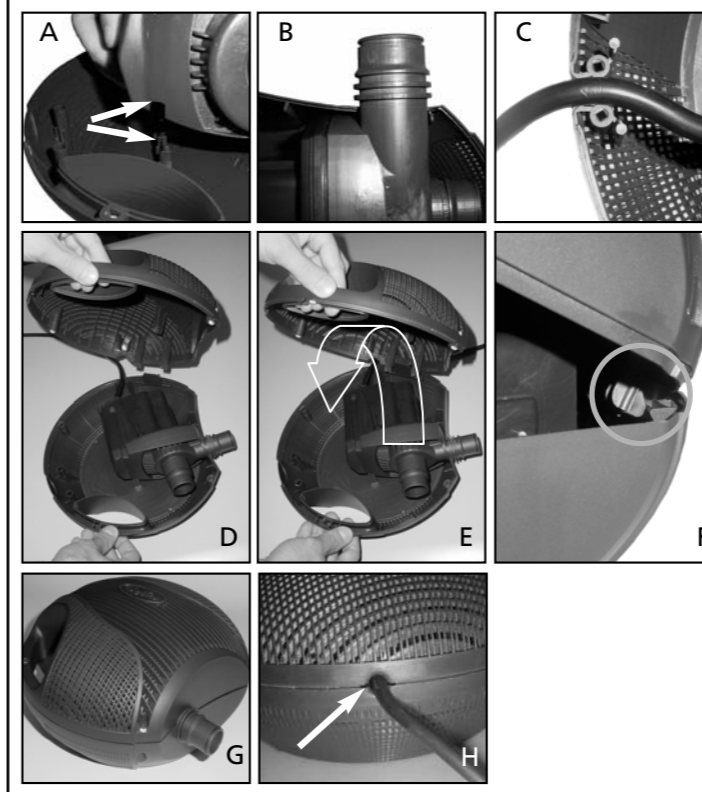
Même si la bague est fabriquée à l'aide d'un matériau très résistant, elle peut s'user dans certaines conditions. Pour cette raison, il est recommandé de la remplacer chaque fois que la couronne est remplacée. Suivre les instructions fournies avec l'emballage de pièces de rechange. Une fois la bague et le joint d'étanchéité remplacés, assembler de nouveau toutes les pièces avec soin (voir fig. 1 et **Fermeture du boîtier de la pompe**).

Fermeture du boîtier de la pompe

Placer la pompe à l'intérieur de la partie inférieure du boîtier. S'assurer que le cordon d'alimentation est correctement installé dans le renforcement de la partie inférieure du boîtier.

À un angle de 45°, joindre la partie supérieure du boîtier à la partie inférieure en alignant tout d'abord les deux montants de la partie supérieure sur les deux trous de repère situés dans la partie inférieure. Fermer le boîtier complètement en vérifiant que les deux parties sont complètement alignées. Verrouiller les axes d'articulation tel qu'il est expliqué dans la section appelée **Ouverture et fermeture du boîtier de la pompe**.

Vérifier que le boîtier de la pompe est solidement verrouillé et que le cordon d'alimentation est correctement placé avant de soulever ou de faire fonctionner la pompe.



DÉPANNAGE

FAIBLE DÉBIT PROVENANT DE LA POMPE

- Vérifier que le boîtier de la pompe est propre
- Examiner le tuyau en cas de blocage
- Surveiller que la pompe ne contient ni saleté ni débris

AUCUN DÉBIT EN PROVENANCE DE LA POMPE

- Vérifier l'alimentation en électricité
- Examiner l'installation électrique
- Vérifier que la fiche est correctement branchée à la prise de courant
- Vérifier que le boîtier de la pompe est propre
- Examiner le tuyau en cas de blocage
- Surveiller que la pompe ne contient ni saleté ni débris
- Vérifier que la pompe ou le filtre PowerFlo sont complètement immergés dans l'eau

POMPE MAX-FLO	4200/16000 PT-352		
Volts	120	230-240	
Hertz	60	50	
Watts	160	160	
Prof. max.	2 m/6'6"		
Débit max.	GAL US/H	4 200	4 200
	L/H	16 000	16 000
Haut. max. colonne	pi	14'9"	14'9"
	m	4,5	4,5
Degré de protection	IPX8		

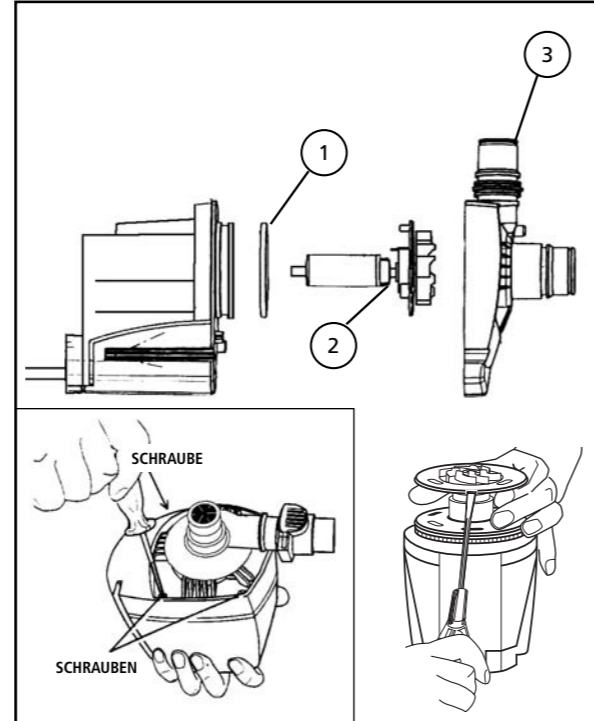
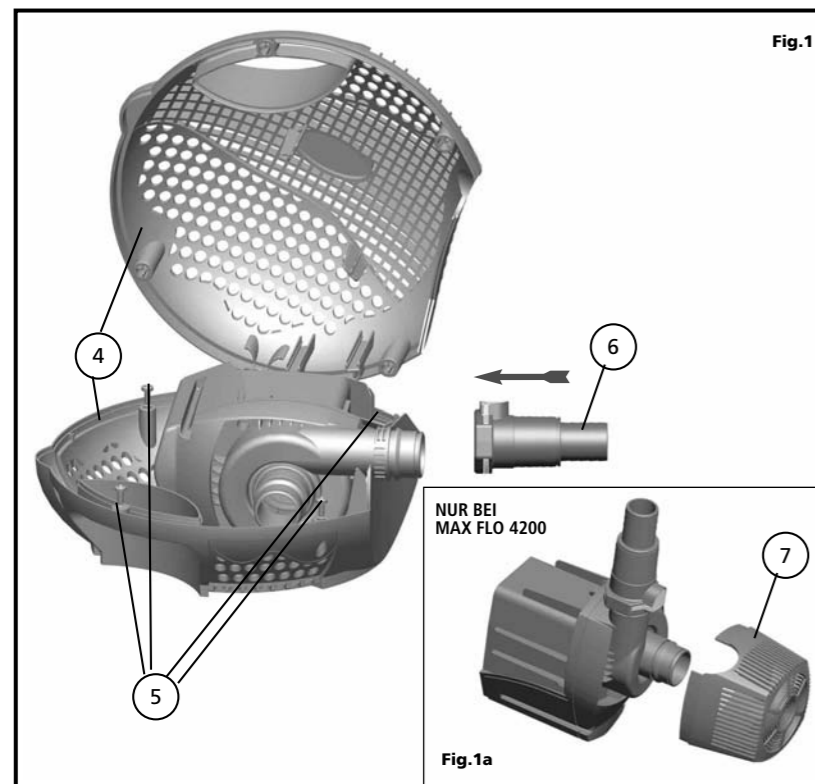
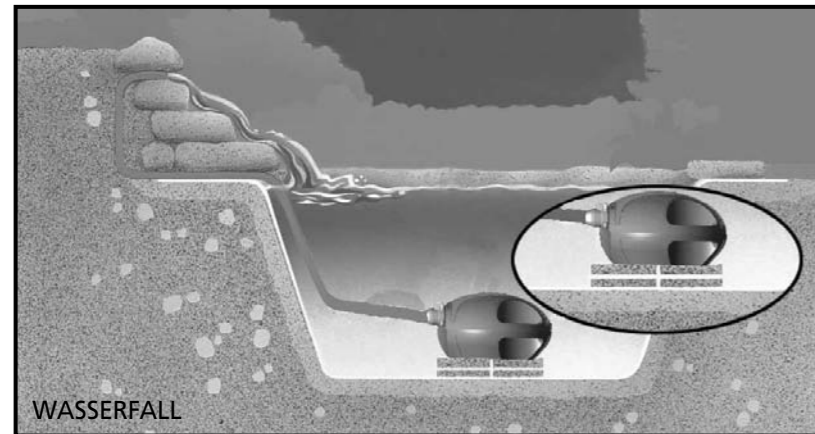
GARANTIE

La pompe utilisée dans des conditions normales est garantie contre tout défaut de matériaux et de main-d'oeuvre pour une période de trois ans à partir de la date d'achat. La pompe sera réparée ou remplacée sans frais, à la discrétion du fabricant. Tout mauvais usage, négligence, modification ou dommage accidentel à la couronne ou à l'arbre de la couronne invalidera cette garantie. Le fabricant n'est pas responsable des pertes ou des dommages causés aux animaux ou à la propriété. Cette garantie ne porte pas atteinte à vos droits prévus par la loi. Une défaillance causée par un emploi abusif n'est pas couverte par cette garantie.



MAX-FLO

GEBRAUCHSANLEITUNG AUF DEUTSCH



ERSATZTEILE		4200/16000 PT-352
1	Dichtungsring	PT-764
2	Flügelrad	PT-354
3	Flügelradabdeckung	PT-355
4	Pumpenkorb	PT-356
5	Feststellschrauben 1-1/4" - 1-1/2"	PT-447
6	"Klick & Fertig"- Schnappverbinder	PT-358
7	Ansaugkorb	PT-357

Ultrahochleistungspumpe für Filter und Wasserfälle Nur zur Verwendung als Tauchpumpe in Süßwasser

Lesen Sie diese Hinweise vor Montage und Inbetriebnahme sorgfältig durch.

WICHTIGE SICHERHEITSHINWEISE

ACHTUNG! Um Verletzungen zu vermeiden, sind u.a. die folgenden grundlegenden Sicherheitsmaßnahmen zu beachten:

- LESEN UND BEFOLGEN SIE ALLE SICHERHEITSHINWEISE** sowie alle wichtigen auf dem Gerät angebrachten Hinweise, bevor Sie die Pumpe in Betrieb nehmen. Die Nichtbeachtung dieser Hinweise kann den Verlust von Fischen bzw. Schäden am Gerät nach sich ziehen.
- GEFAHR!** Da elektronisches Teichzubehör im bzw. am Wasser eingesetzt wird, ist mit besonderer Sorgfalt vorzugehen, um die Möglichkeit eines Stromschlags auszuschließen. Sollte eine der folgenden Situationen auftreten, versuchen Sie nicht, die entsprechenden Reparaturen selbst durchzuführen. Sofern noch eine Garantie besteht, bringen Sie das Gerät in das Geschäft zurück, wo Sie es gekauft haben.
 - Falls das Gerät irgendwelche Anzeichen eines ungewöhnlichen Wasseraustritts aufweist oder falls die Fehlerstromschutzeinrichtung (GFCI-Unterbrecher) sich ausschaltet, ziehen Sie den Netzstecker und entfernen Sie die Pumpe aus dem Wasser.
 - Überprüfen Sie das Gerät nach der Montage sorgfältig. Es sollte nicht an das Stromnetz angeschlossen werden, falls Wasser auf Teile gelangt ist, für die dies nicht vorgesehen ist.
 - Nehmen Sie kein Gerät in Betrieb, an dem Kabel oder Netzstecker Beschädigungen aufweisen, an dem Betriebsstörungen aufgetreten sind oder das in irgendeiner Weise starken Erschütterungen (etwa durch Herunterfallen des Geräts) ausgesetzt oder anderweitig beschädigt wurde. Das Stromkabel an diesem Gerät lässt sich nicht ersetzen. Bei Beschädigung des Kabels ist das Gerät zu entsorgen. Niemals Kabel durchschneiden.
 - Bei Geräten, die von oder in der Nähe von Kindern verwendet werden, ist eine sorgfältige Beaufsichtigung erforderlich.
 - Um Verletzungen zu vermeiden, berühren Sie keine sich bewegenden oder heißen Teile.
 - ACHTUNG:** Vor Eintauchen der Hände ins Wasser, An- oder Abbau von Teilen oder während der Montage, Wartung oder Bearbeitung unbedingt Netzstecker aller Geräte innerhalb des Teiches ziehen. Ziehen Sie immer den Netzstecker, bevor Sie das Gerät ins Wasser eintauchen bzw. aus dem Wasser herausnehmen. Nie am Kabel ziehen, um den Netzstecker aus der Steckdose zu ziehen, sondern Netzstecker umfassen und daran ziehen. Netzstecker ziehen, wenn Geräte nicht in Benutzung sind. Nie die Pumpe am Kabel anheben. Verwenden Sie den vorgesehenen Griff.
- ACHTUNG: DIES IST EINE TEICHPUMPE.** Diese Pumpe wurde ausschließlich für die Verwendung mit Wasser getestet. Verwenden Sie diese Pumpe nicht für Zwecke, für die sie nicht vorgesehen ist (d.h. verwenden Sie sie nicht in Schwimmbädern, Badezimmern, usw.). Die Verwendung von nicht durch den Hersteller empfohlenen oder verkauften Anbauteilen kann die Sicherheit beeinträchtigen.
 - Verwenden Sie diese Pumpe nicht in Schwimmbädern oder anderen Situationen, in denen sich Menschen im Wasser aufhalten.
 - Diese Pumpe eignet sich für die Verwendung in Wassertemperaturen bis zu 35 °C.
 - Verwenden Sie diese Pumpe nicht für brennbare oder drinkbare Flüssigkeiten.
- Montieren oder lagern Sie das Gerät nicht an Orten, wo es dem Wetter oder Temperaturen von unter null Grad ausgesetzt ist. Entfernen Sie die Pumpe und lagern Sie sie an einem geschützten Ort. Schützen Sie die Pumpe vor direkter Sonneneinstrahlung. Das Material zeichnet sich durch eine hohe Widerstandsfähigkeit gegenüber Sonnenlicht aus, aber direkte Sonneneinstrahlung kann den Motor überhitzen und den Alterungsprozess der Isolierung beschleunigen.
- WICHTIG:** Diese Pumpe darf erst in Betrieb genommen werden, wenn die Pumpeneinheit innerhalb des Pumpenkorbs ordnungsgemäß montiert wurde und der Korb sicher mit den Feststellschrauben am Griff der Pumpe oder außen am Pumpenkorb verschlossen ist. Ein Ansaugkorb muss am Einlass der Pumpe montiert sein. Vergewissern Sie sich vor Inbetriebnahme, dass die Pumpe sicher montiert ist. Die Pumpe darf nicht trocken laufen. Die Pumpe ist vollständig ins Wasser einzutauchen. Diese Pumpe darf nie außerhalb des Wassers betrieben werden.
- Falls die Verwendung eines Verlängerungskabels erforderlich ist, achten Sie darauf, dass die Verbindung wasserdicht und staubdicht ist. Verwenden Sie ein Kabel mit einer angemessenen Leistungsstärke. Kabel, die auf weniger Ampere oder Watt ausgelegt sind als das Gerät, können überhitzen. Das Kabel sollte so platziert werden, dass ein Darüberstolpern oder Daranziehen ausgeschlossen ist.

- WICHTIG:** Verwenden Sie für den Anschluss an das Stromnetz eine Fehlerstromschutzeinrichtung (RCD bzw. GFCI-Unterbrecher) mit einem Bemessungsauslösestrom von maximal 30 mA.
- ACHTUNG:** Gefahr eines Stromschlags! Diese Pumpe wird mit einem Schukostecker geliefert. Um die Gefahr eines Stromschlags zu verringern:
 - Stellen Sie sicher, dass sie ausschließlich mit einer ordnungsgemäß geerdeten Schuko Steckdose verbunden wird.
 - Verwenden Sie sie ausschließlich für eigenständige Springbrunnen mit Fontänen von maximal 150 cm in jede Richtung (NUR USA).

HEBEN SIE DIESE HINWEISE ZUR SPÄTEREN EINSICHTNAHME AUF.

Sicherheit und Funktionstüchtigkeit der Pumpe sind nur bei gewissenhafter Einhaltung dieser Montage-, Elektro- und Wartungshinweise gewährleistet.

HINWEISE ZUR MONTAGE DER PUMPE

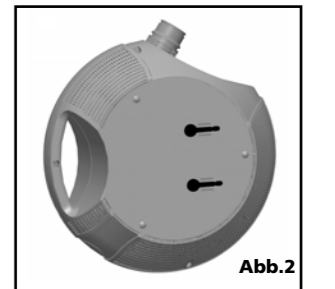
Allgemeine Informationen

Die Wasserfall- und Filter-Pumpen sind ideal zur Verwendung zusammen mit Filterungssystemen und für die Anlage von Wasserfällen und Wasserläufen geeignet, da sie imstande sind, Wasser, das moderat mit Festpartikeln (oder Feststoffen) angereichert ist, zu verarbeiten. Die Pumpen sind darauf ausgelegt, Schwebstoffe an geeignete externe Filtersysteme weiterzuleiten (einschließlich Druckfiltern), die dann die Verunreinigungen, die ansonsten das Wasser Ihres Teiches verschmutzen könnten, auffangen und so eine wirksame Teichfiltration gewährleisten. Die Pumpen sind nicht geeignet, um Wasser an Fontänendüsen weiterzuleiten, da diese Düsen durch die von den Pumpen umgewälzten Feststoffe leicht verstopft werden können.

Die Motoreinheit ist innerhalb des einzigartig geformten Pumpenkorbs angebracht, der darauf ausgelegt ist, nur Feststoffe bis zu einer festgelegten Größe (6-8 mm, je nach Modell) durchzulassen, da größere Festteile die Pumpe verstopfen und beschädigen können.

Die Max-Flo 16000 Pumpe (230-240 V/ 50 Hz) darf niemals ohne Pumpenkorb in Betrieb genommen werden.

Für einen optimalen Pumpenbetrieb platzieren Sie die Pumpe an der tiefsten Stelle innerhalb des Teiches. Die erforderliche Mindesttiefe beträgt 20 cm. Sofern erforderlich, können Sie die Pumpe mittels der schlüsellochförmigen Schlitz im Korbboden auf einem festen Sockel befestigen. Diese sind so geformt, damit ein schnelles Befestigen am bzw. Lösen vom Sockel ermöglicht wird (Abb. 2).



Vergewissern Sie sich, dass die Daten auf dem (auf der Pumpe angebrachten) Typenschild mit denen der Stromversorgung übereinstimmen.

Die elektrische Installation und Verkabelung muss den Sicherheitsvorschriften Ihrer Gegend entsprechen. Falls Sie sich unsicher sind, beauftragen Sie einen qualifizierten Elektriker mit der Verkabelung. Das Stromkabel ist gegen jede Art von Gegenständen, die es beschädigen könnten, abzusichern. Die Steckdose muss an einem trockenen, geschützten und leicht erreichbaren Ort angebracht sein.

ACHTUNG! Vor Montage, Reparatur, Wartung oder Bearbeitung des im Wasser befindlichen Geräts sind unbedingt die Netzstecker aller Geräte innerhalb des Teiches zu ziehen.

WICHTIG: Um einen optimalen Pumpenbetrieb zu gewährleisten, verwenden Sie jeweils einen Schlauch mit größtmöglichem Innendurchmesser. Vermeiden Sie scharfe Schlauchkrümmungen; sanfte Biegungen sind vorzuziehen.

Montage:

ACHTUNG! Pumpe erst nach vollständiger und ordnungsgemäßer Montage ans Stromnetz anschließen.

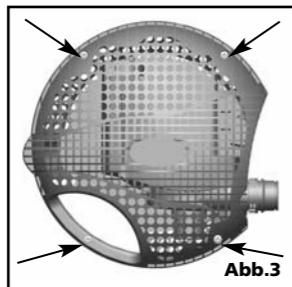
- Schließen Sie mittels eines „Klick & Fertig“-Schnappverbinders einen flexiblen Schlauch (nicht im Lieferumfang enthalten) an. Gegebenenfalls müssen Sie den Schnappverbinder mit einer kleinen Metallsäge auf die erforderliche Größe zurechtsägen, damit der Schlauch richtig passt und Sie den bestmöglichen Wasserdurchfluss erzielen.

- 2) Schieben Sie den Schnappverbinder mit dem angebrachten Schlauch auf die Austrittsöffnung der Pumpe.
- 3) Platzieren Sie die Pumpe im Teich und vergewissern Sie sich, dass sie vollständig eingetaucht und sicher auf einer festen, ebenen und erhöhten Plattform montiert ist. Falls erforderlich, verwenden Sie die schlüsselförmigen Schlitzlöcher am Pumpenboden, um das Gerät auf einem sicheren Sockel zu befestigen.
- 4) Schließen Sie das andere Ende des Schlauchs je nach Ihren Anforderungen an einen Filter oder Wasserfall an (nicht im Lieferumfang enthalten).

Öffnen und Schließen des Pumpenkorbs (siehe Abb. 3)

Die obere und die untere Hälfte des Pumpenkorbs sind durch drehbare Befestigungsstifte miteinander verbunden. Verwenden Sie einen normalen Schlitzschraubendreher (5 mm bis 8 mm), um Folgendes zu tun:

Um den Pumpenkorb zu öffnen, drehen Sie den Befestigungsstift um 90° entgegen dem Uhrzeigersinn, um den Mechanismus zu entriegeln.



Um den Pumpenkorb zu schließen, drücken Sie den Befestigungsstift behutsam nach unten und drehen Sie ihn um 90° im Uhrzeigersinn, um den Mechanismus zu verriegeln.

Pumpenbetrieb

Nachdem Sie die Pumpe vollständig installiert haben, können Sie sie in Betrieb nehmen, indem Sie den Netzstecker in die Steckdose stecken.

Wartung der Pumpe

ACHTUNG! Vor Montage, Reparatur, Wartung oder Bearbeitung des im Wasser befindlichen Geräts sind unbedingt die Netzstecker aller Geräte innerhalb des Teiches zu ziehen.

Um eine maximale Lebensdauer Ihrer Pumpe zu gewährleisten, führen Sie die folgenden einfachen Wartungsmaßnahmen durch:

- Vergewissern Sie sich einmal pro Woche, dass die Pumpenleistung zufrieden stellend ist. Falls Sie eine Verringerung der Pumpenleistung feststellen (wie etwa eine Verringerung des Wasserdurchflusses der Pumpe oder des Wasserflusses zum Wasserfall), reinigen Sie als Erstes Pumpenkorb und Schlauch. Falls der Wasserfluss danach noch immer nicht vollständig wieder hergestellt ist, reinigen Sie das Flügelrad, die Flügelradkammer und die Flügelradabdeckung (s.u. Wartungsverfahren).
- Der Pumpenkorb ist mindestens einmal pro Monat zu reinigen.
- Wenn erforderlich, zumindest jedoch einmal pro Jahr reinigen Sie den Pumpenmotor vollständig (Flügelrad, Flügelradkammer und Flügelradabdeckung) und vergewissern Sie sich, dass sich keine Kalkablagerungen aufgebaut haben. Kalkablagerungen können den Pumpenbetrieb stark beeinträchtigen.
- Um den ordnungsgemäßen Betriebszustand der Pumpe zu erhalten, ersetzen Sie stets alle Teile, die Verschleißerscheinungen aufweisen.
- Der Pumpenmotor hat keine durch den Anwender zu wartenden Teile. Bei Beschädigung von Motor oder Stromkabel ist die Pumpe zu entsorgen.
- Ziehen Sie im Zweifelsfall Ihren Laguna Fachhändler zurate oder wenden Sie sich an die auf der Rückseite dieser Broschüre angegebene zuständige Kundendienstabteilung.

Reinigung des Pumpenkorbs

Hauptzweck des Pumpenkorbs ist es, zu vermeiden, dass Festpartikel (oder Feststoffe) in die Pumpe gelangen und möglicherweise die Pumpe verstopfen. Es ist deshalb normal, dass sich solche Feststoffe allmählich auf der Außenseite des Korbs ansammeln und im Laufe der Zeit die Pumpenleistung verringern. Dies ist durch einen verringerten Wasserfluss zum Filter oder Wasserfall erkennbar. Um den Pumpenkorb zu reinigen und die Pumpenleistung auf ihrem ursprünglichen Niveau wieder herzustellen, unternehmen Sie die folgenden Schritte:

- Bürsten Sie die Verschmutzungen mit einem Besen oder einem ähnlichen Hilfsmittel von der Außenseite des Pumpenkorbs ab, ohne dabei die Pumpe aus dem Teich zu entnehmen. Die besten Ergebnisse erzielen

Sie, wenn Sie entlang der Rippen des Pumpenkorbs bürsten.

- Nehmen Sie die Pumpe aus dem Teich, lösen Sie die Feststellschraube (Abb. 3) und entfernen Sie die obere Hälfte des Pumpenkorbs. Reinigen Sie alle Bauteile unter fließendem Wasser. Setzen Sie alle Bauteile wieder sorgfältig zusammen.

Bitte sicherstellen, dass der Pumpenkorb ganz geschlossen ist und das Netzkabel richtig in Position sitzt, bevor die Pumpe hochgehoben oder angeschaltet wird (Schnitt-Ansicht Abb. 6).

Reinigung des Flügelrads, der Flügelradkammer und der Flügelradabdeckung des Pumpenmotors

ACHTUNG: Der Pumpenmotor enthält eine qualitativ hochwertige Keramikachse, die bei ordnungsgemäßer Wartung über lange Zeit einen zuverlässigen Betrieb gewährleistet. Der Umgang mit der Keramikachse während der Wartung erfordert jedoch extreme Sorgfalt. Vermeiden Sie es, die Achse fallen zu lassen oder sie zu starkem Druck auszusetzen, da dies zu Sprüngen oder Haarrissen führen kann, die einen Achsbruch während des Betriebs zur Folge haben können.

Nehmen Sie die Pumpe aus dem Teich, lösen Sie die Feststellschrauben und entfernen Sie die obere Hälfte des Pumpenkorbs. Nehmen Sie die untere Hälfte des Pumpenkorbs von der Pumpe ab, indem Sie die beiden Schrauben der Zugentlastung des Stromkabels entfernen.

Befolgen Sie die Reinigungshinweise für das entsprechende Pumpenmodell:

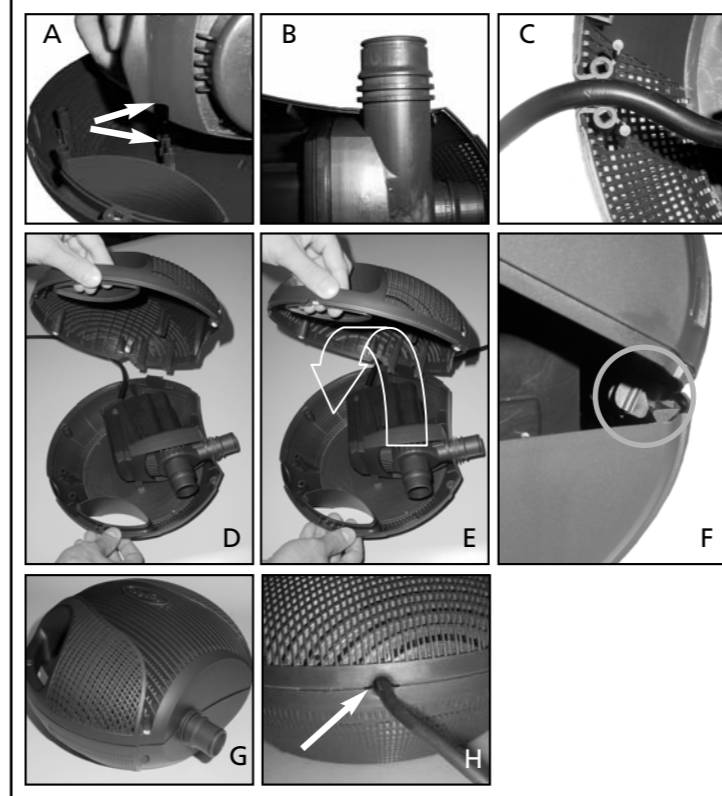
- 1) Lösen Sie die vier Schrauben auf der Flügelradabdeckung (4) mit einem Kreuzschlitz-Schraubendreher und nehmen Sie sie heraus.
- 2) Benutzen Sie einen Schlitz-Schraubendreher, um die Flügelradbaugruppe vorsichtig herauszuheben.
- 3) Reinigen Sie alle Bauteile ausschließlich mit klarem Wasser. Verwenden Sie erforderlichenfalls eine kleine, weiche Bürste. **VERWENDEN SIE KEINE REINIGUNGSMITTEL ODER SONSTIGEN CHEMISCHEN SUBSTANZEN**, die die Pumpe beschädigen und den Teich verunreinigen könnten.
- 4) Setzen Sie alle Bauteile wieder sorgfältig zusammen (Schnitt-Ansicht **Schließen des Pumpenkorbes**), und achten Sie dabei darauf, dass das Flügelradlager, die Lagerbuchse und der Dichtungsring ordnungsgemäß auf dem Boden der Flügelradkammer platziert sind.

Ersetzen von Lagerbuchse und Dichtungsring (Ersatzteil-Pack nicht im Lieferumfang enthalten. Art.-Nr. PT-466).

Obwohl die Lagerbuchse aus äußerst strapazierfähigem Material besteht, kann sie sich unter bestimmten Bedingungen abnutzen. Aus diesem Grund wird empfohlen, sie jeweils gemeinsam mit der Flügelradeinheit auszutauschen. Befolgen Sie die der Packung mit den Ersatzteilen beigefügten Hinweise. Nachdem Sie Lagerbuchse und O-Ring ersetzt haben, setzen Sie vorsichtig wieder alle Teile zusammen (Schnitt-Ansicht Abb. 1 & **Schließen des Pumpenkorbes**).

Schließen des Pumpenkorbes

Legen Sie die Pumpe in die untere Hälfte des Korbs. Stellen Sie sicher, dass das Netzkabel richtig in dem Schlitz in der unteren Hälfte des Korbs sitzt. Setzen Sie die obere und die untere Hälfte des Korbs in einem 45° Winkel aufeinander, indem Sie zuerst die beiden Stümpfe, die sich auf der oberen Hälfte des Korbs befinden, in die beiden Bohrungen auf der unteren Hälfte des Korbs stecken. Schließen Sie den Korb vollständig. Überprüfen Sie, ob beide Hälften richtig aufeinander sitzen. Ziehen Sie die drehbaren Befestigungsstifte fest wie in Abschnitt **Öffnen und Schließen des Pumpenkorbes** erklärt. Überprüfen Sie, bevor Sie die Pumpe anheben oder in Betrieb nehmen, ob der Pumpenkorb sicher verschlossen ist und ob das Netzkabel richtig liegt.



PROBLEMBEHEBUNG

GERINGER PUMPENDURCHFLUSS

- Überprüfen Sie, ob der Pumpenkorb sauber ist.
- Untersuchen Sie den Schlauch auf Verstopfungen.
- Vergewissern Sie sich, dass die Pumpe frei von Schmutz und Verunreinigungen ist.

KEIN PUMPENDURCHFLUSS

- Prüfen Sie, ob der Strom angeschaltet ist.
- Überprüfen Sie die Sicherung (nur GB) und die Verkabelung.
- Prüfen Sie, ob der Netzstecker ordnungsgemäß mit der Steckdose verbunden ist.
- Überprüfen Sie, ob der Pumpenkorb sauber ist.
- Untersuchen Sie den Schlauch auf Verstopfungen.
- Vergewissern Sie sich, dass die Pumpe frei von Schmutz und Verunreinigungen ist.
- Prüfen Sie, ob die Pumpe vollständig ins Wasser eingetaucht ist.

MAX-FLO PUMP		4200/16000 PT-352	
Spannung (V)		120	230-240
Frequenz (Hz)		60	50
Leistung (W)		160	160
Maximale Tiefe		6'6"/2 m	
Max. Durchfluss (L/h)	US GPH	4200	4200
	LPH	16000	16000
Max. Höhe (m)	ft	14'9"	14'9"
	m	4.5	4.5
Schutzklasse		IPX8	

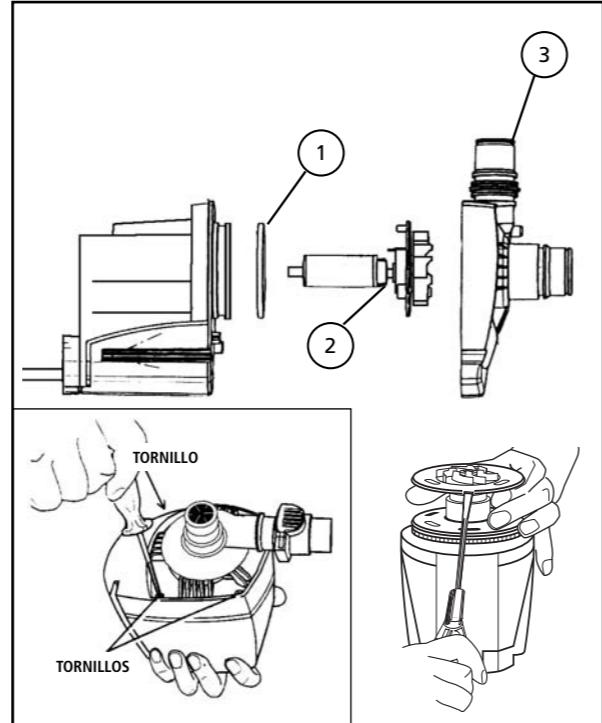
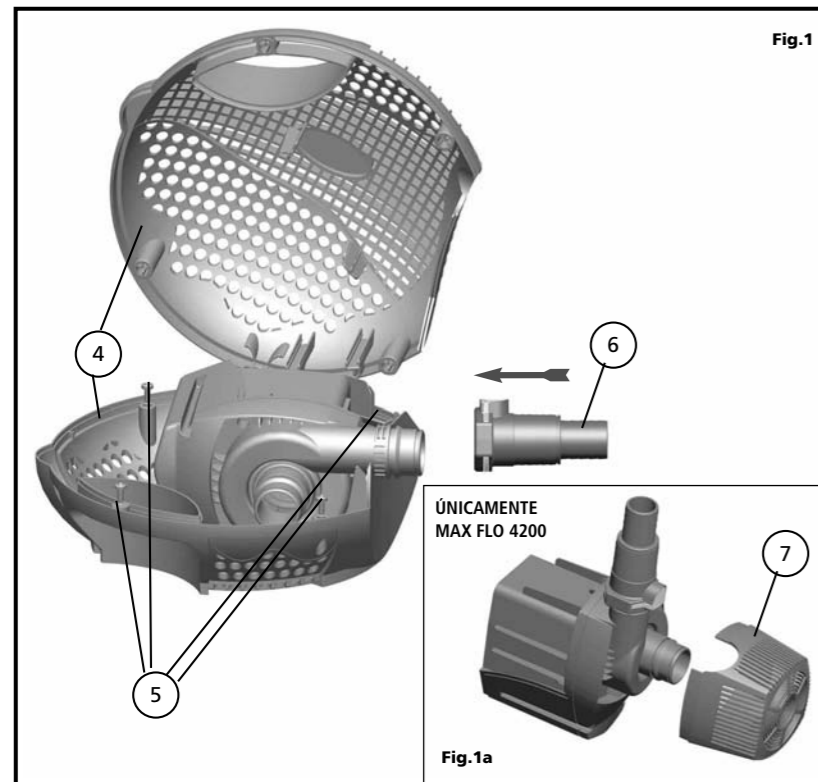
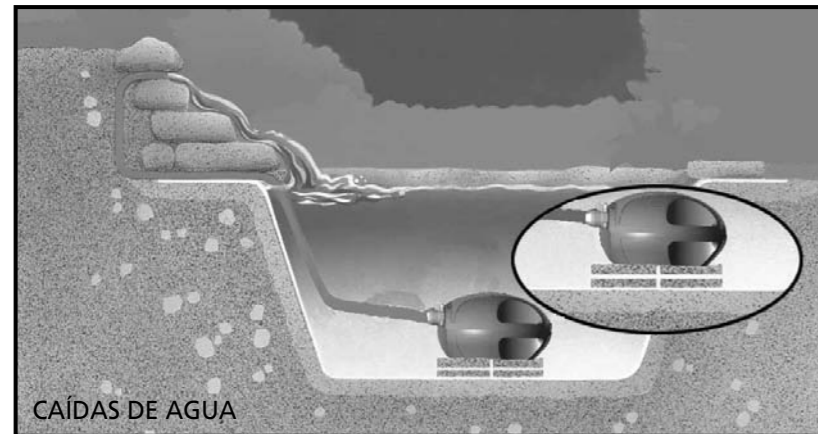
GARANTIE

Wir garantieren Ihnen, dass diese Pumpe bei normaler Verwendung für die Dauer von 3 Jahren ab dem Zeitpunkt des Erwerbs von Material- bzw. Verarbeitungsfehlern frei ist. Sollte dies nicht der Fall sein, verpflichtet sich der Hersteller nach seinem alleinigen Ermessen zur Reparatur oder zum Ersatz der entsprechenden Max-Flo Pumpe. Diese Garantie erstreckt sich nicht auf Max-Flo Pumpen, die unsachgemäß oder fahrlässiger Verwendung oder Manipulationen unterlagen oder deren Flügelrad oder Flügelradachse durch Unfall beschädigt wurden. Eine Haftung für Verluste oder Schäden an Tierbestand oder persönlichem Eigentum ist unabhängig von ihrer Ursache ausgeschlossen. Ihre gesetzlichen Rechte sind von dieser Garantie unberührt. Ein Geräteversagen aufgrund missbräuchlicher Verwendung ist durch diese Garantie nicht abgedeckt.



MAX-FLO

INSTRUCCIONES EN ESPAÑOL



PIEZAS DE REPUESTO		4200/16000 PT-352
1	Aro sellador	PT-764
2	Conjunto del impulsor	PT-354
3	Cubierta del impulsor	PT-355
4	Caja de la bomba	PT-356
5	Pasadores pivotes	PT-447
6	Acoplamiento tipo "Click-Fit" 1-1/4" - 1-1/2"	PT-358
7	Filtro de alimentación	PT-357

BOMBA PARA FILTROS Y CAÍDAS DE AGUA

Para usar en agua dulce y sumergida únicamente.

Lea atentamente las instrucciones antes de hacer la instalación y poner en funcionamiento la bomba.

MEDIDAS DE SEGURIDAD IMPORTANTES

ADVERTENCIA: para impedir lesiones, se deben observar las siguientes medidas de seguridad básicas:

1. Antes de usar la bomba **LEA Y RESPETE TODAS LAS MEDIDAS DE SEGURIDAD** y todos los avisos importantes que están en el aparato. El no hacerlo, puede causar la muerte de los peces y/o dañar este aparato.
2. **PELIGRO:** para evitar un posible choque eléctrico, se debe tener especial cuidado al usar este equipo para estanques, dado que se está en contacto con el agua. En cada una de las situaciones siguientes, no trate de hacer las reparaciones usted mismo; devuelva el aparato a la tienda donde lo compró, si todavía está bajo garantía.
 - A. Si el aparato da muestras de una pérdida anormal de agua o si el interruptor de corriente de falla de tierra se apaga, desconecte el cable de alimentación de la fuente de alimentación principal y saque la bomba del agua.
 - B. Examine cuidadosamente el aparato después de instalarlo. No deberá estar enchufado, si hay agua en piezas que no deben mojarse.
 - C. No haga funcionar ningún aparato que tenga un cable o enchufe dañado, que no funcione bien o que se haya caído o dañado. El cable eléctrico de este aparato no puede cambiarse. Si el cable o el enchufe están dañados, deseche el aparato. Nunca corte el cable.
3. Es necesario que un adulto supervise a los niños, cuando usan este aparato o están cerca del mismo cuando está en uso.
4. Para evitar lesiones, no toque las piezas móviles o que estén calientes.
5. **PRECAUCIÓN:** desconecte el enchufe de todos los aparatos instalados en el estanque antes de poner las manos en el agua, poner o sacar piezas o mientras el equipo se instala, se maneja o se le hace mantenimiento. Antes de poner o sacar la bomba del agua, desenchufe siempre el enchufe eléctrico principal. Nunca dé un tirón al cable para desenchufar el aparato. Tome el enchufe y tire de él para desconectarlo. Siempre desenchufe un aparato cuando no está funcionando. Nunca levante la bomba por el cable. Utilice la manija del aparato.
6. **PRECAUCIÓN:** esta es una bomba para estanques. Esta bomba ha sido evaluada para usar con agua únicamente. No la utilice para otro fin que no sea el previsto (es decir: no la use en piscinas, cuartos de baño, etc.). El uso de accesorios no recomendados o no vendidos por el fabricante del aparato puede crear condiciones de riesgo.
 - No utilice esta bomba en piscinas ni en otros lugares donde la gente se sumerja.
 - Esta bomba puede usarse con agua hasta 35 °C máximo.
 - No use esta bomba con líquidos inflamables o potables.
7. No instale ni almacene el aparato donde se exponga a la intemperie o a temperaturas bajo cero. Sáquelo y guárdelo en un lugar protegido. Proteja la bomba contra la luz solar directa. Los materiales no se alteran por la luz solar, pero los rayos directos pueden calentar el motor y acelerar el envejecimiento del aislador.
8. **IMPORTANTE:** esta bomba puede funcionar únicamente si está bien instalada dentro de su caja y si ésta última ha sido bien trabada con los tornillos de sujeción en la manija de la bomba o fuera de la caja con un filtro de alimentación conectado a la entrada de la bomba. Cerciórese de que la bomba esté muy bien instalada antes de hacerla funcionar. No permita que la bomba

funcione en seco. La bomba debe estar toda sumergida en el agua. Nunca debe funcionar fuera del agua.

9. Si necesitara usar una extensión, fíjese que la conexión sea hermética y no deje entrar el agua ni el polvo. Es necesario usar un cable de la clase apropiada. Un cable de menos amperaje puede calentarse. Se debe tener cuidado de colocar el cable de manera tal que nadie pueda tropezar con él ni tirar del mismo. La conexión debería ser hecha por un electricista acreditado.
10. **IMPORTANTE:** alimente el aparato mediante un interruptor de corriente de falla de tierra cuya corriente residual clasificada no exceda 30 mA.
11. **ADVERTENCIA:** peligro de choque eléctrico: esta bomba viene con un enchufe con conexión a tierra. Para reducir el peligro de un choque eléctrico:
 - asegúrese de que esté conectada a un tomacorriente con conexión a tierra
 - use sólo en fuentes autónomas portátiles, de 5 pies máximo, en cualquier dimensión (PARA EE.UU. ÚNICAMENTE)

GUARDE ESTAS INSTRUCCIONES PARA REFERENCIA FUTURA

Solamente si se cumplen como corresponde estas pautas de instalación, mantenimiento y conexiones eléctricas se logrará un uso seguro y eficiente de esta bomba.

INSTRUCCIONES PARA INSTALAR LA BOMBA

Información general

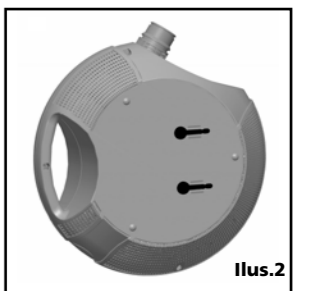
Dada su capacidad de procesar agua moderadamente cargada con partículas sólidas en suspensión (o sólidos), la bomba para filtros y caídas de agua es ideal para usar con los sistemas de filtración y para crear caídas de agua y cursos de agua. La bomba está diseñada para transportar los sólidos en suspensión a sistemas filtrantes externos y adecuadas (inclusive filtros presurizados) que atrapan y filtran bien cualquier desecho potencialmente contaminante para el agua del estanque. La bomba no es adecuada para proveer agua a las alturas de elevación, porque las toberas podrían obstruirse fácilmente con los sólidos que procesan las bombas.

El motor de la bomba se asienta en el interior de una caja de forma singular, concebida para permitir el paso de sólidos hasta un determinado tamaño solamente (de 3/8 pulg. (10 mm), dado que sólidos más grandes pueden obstruir y dañar la bomba.

Versión 230-240 V/50 Hz (Max-Flo 16000): La bomba nunca debe usarse sin su caja.

Versión 120 V/60 Hz (Max-Flo 4200): La bomba se vende con un filtro de alimentación adicional que puede conectarse a la entrada de la bomba, en caso que quiera usarla sin su caja; cuando, por ejemplo, el espacio es limitado como en la cámara de un filtro recogedor.

Para un mejor desempeño, coloque la bomba en la parte más profunda del estanque. Como mínimo, debe estar colocada a una profundidad de 8 pulg. o 20 cm. En caso de necesidad, es posible amarrarla a una base fija mediante las ranuras con forma de ojo de cerradura, en el fondo de la caja, que permiten fijar o soltar rápidamente la bomba de la base. (Ilus. 2)



Fíjese que la información de la placa de identificación (sobre la bomba) corresponda a la fuente de alimentación. La instalación y el cableado eléctricos deben cumplir con las normas de seguridad de la zona donde vive. Si usted no está seguro de dichas normas, pida a un electricista acreditado que le haga el cableado. El cable eléctrico

debe protegerse contra cualquier objeto que pueda dañarlo. La toma de corriente eléctrica debe estar en un lugar seco, protegido y fácilmente accesible.

ADVERTENCIA: antes de instalar, reparar, hacer el mantenimiento o manejar un equipo que esté en el agua, desenchufe o desconecte siempre todos los aparatos eléctricos del estanque de la fuente de alimentación eléctrica a la que se estén conectados.

IMPORTANTE: para lograr el mejor desempeño de la bomba, utilice siempre la manguera del mayor diámetro posible. Evite que la manguera haga ángulos marcados y cree preferiblemente curvas graduales.

Instalación:

ADVERTENCIA: no enchufe la bomba sin haber terminado de instalarla correctamente.

- 1) Conecte una manguera flexible (no incluida) al acoplamiento "Click-Fit" proporcionado. En caso necesario, corte el acoplamiento a la medida necesaria con una sierra pequeña de manera que la manguera quepa bien y produzca el mejor flujo de agua.
- 2) Coloque el acoplamiento, con la manguera puesta, sobre la salida de la bomba.
- 3) Coloque la bomba en el estanque y asegúrese de que esté totalmente sumergida en el agua e instalada en una plataforma nivelada, sólida y elevada. Si es necesario, use las ranuras tipo ojo de cerradura en la parte inferior de la bomba para fijarla a una base segura.
- 4) Conecte el otro extremo de la manguera a un filtro o una caída de agua (no incluidos) según lo que usted precise.

Instalación del filtro de alimentación

(disponible únicamente con Max-Flo 4200)

La bomba se vende con un filtro de alimentación adicional que puede conectarse a la entrada de la bomba, en caso que quiera usarla sin su caja; cuando, por ejemplo, el espacio es limitado como en la cámara de un filtro recogedor.

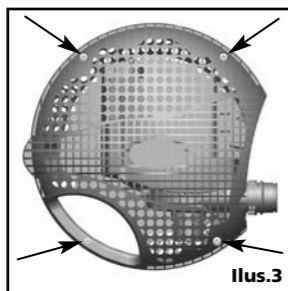
- 1) Retire los pasadores pivotes como se describe en la sección **Cómo abrir y cerrar la caja de la bomba**.
- 2) Retire la bomba de la caja y sujete el filtro de alimentación sobre la entrada de la bomba (véase Fig. 1a).
- 3) Conecte la manguera como se describe en los procedimientos de instalación e instale la bomba en el lugar deseado o coloque la bomba en el lugar deseado y conecte la manguera a la salida de la bomba.

Cómo abrir y cerrar la caja de la bomba (véase Ilus. 3)

Las mitades superior e inferior de la caja se sujetan con pasadores pi-votantes. Con un destornillador corriente de cabeza plana (de 5 mm a 8 mm), haga lo siguiente:

Para abrir la caja de la bomba: haga girar suavemente 1/4 el sujetador a la izquierda para liberar el pasador.

Para cerrar la caja de la bomba: oprima suavemente el sujetador y gire 1/4 hacia la derecha para trabar.



Ilus.3

Funcionamiento de la bomba

Una vez que la bomba se ha terminado de instalar, puede hacerse arrancar enchufándola en el tomacorriente.

Mantenimiento de la bomba

ADVERTENCIA: antes de instalar, reparar, hacer el mantenimiento o manejar un equipo que esté en el agua, desenchufe o desconecte siempre todos los aparatos eléctricos del estanque de la fuente de alimentación eléctrica a la que se estén conectados.

Para no acortar la vida útil de la bomba, siga estas simples normas de mantenimiento:

- Una vez por semana, asegúrese de que la bomba funciona satisfactoriamente. Si usted detectó que la bomba no funciona muy bien (por ejemplo, una disminución del flujo del agua o el flujo que va a la caída de agua), limpie la caja de la bomba y las mangueras. Si el flujo sigue sin volver completamente a su fuerza original, limpie el impulsor y el recinto y la tapa del mismo (véase la sección **Limpieza del impulsor, del motor de la bomba y del recinto y de la tapa del impulsor**).
- La caja de la bomba se debe limpiar por lo menos una vez al mes.
- Cuando sea necesario, o por lo menos una vez al año, limpie todo el motor de la bomba (impulsor, recinto y tapa del impulsor) y asegúrese de que no hay depósitos de piedra caliza, que afecten el funcionamiento de la bomba.
- Para mantener la bomba funcionando bien, cambie siempre las piezas que estén gastadas.
- El motor de la bomba no tiene ninguna pieza reparable por el usuario. Si el motor o el cable eléctrico están dañados, deseche la bomba.
- Ante una duda, consulte a su distribuidor de productos Laguna o llame al Departamento de Servicio a la Clientela correspondiente, a partir de la lista que aparece en la contratapa de este manual.

Limpieza de la caja de la bomba

La función principal de la caja de la bomba es impedir la entrada en la bomba de las partículas sólidas más grandes (o sólidos) que podrían obstruir el motor. Por lo tanto, es normal que estos sólidos se vayan acumulando en la superficie externa de la caja y, con el tiempo, reduzcan el desempeño de la bomba, reduciendo el flujo que va al filtro o a la caída de agua. Para limpiar la caja y restablecer el buen funcionamiento de la bomba, realice uno de los procedimientos siguientes:

- Sin sacar la bomba del estanque, cepille los desechos de la parte externa de la caja con una escoba o una herramienta similar. Para un mejor resultado, cepille la caja a lo largo de las varillas.
- Saque la caja de la bomba del estanque, destrabe el pasadores pivotantes (Ilus. 3) y saque la mitad superior de la caja. Limpie todos los componentes usando una manguera del jardín y agua. Vuelva a montar todos los componentes con cuidado.

Asegúrese de que la caja esté bien trabada y que el cable eléctrico esté bien colocado antes de levantarla o de hacer funcionar la bomba (véase **Cómo cerrar la caja de la bomba).**

Limpieza del impulsor, del motor de la bomba y del recinto y de la tapa del impulsor

PRECAUCIÓN: el motor de la bomba incluye un eje cerámico de alta calidad con un desempeño duradero y fiable, si se mantiene como corresponde. No obstante, al hacer el mantenimiento se deberá manejar el eje con extremo cuidado. Evite que se caiga o presionarlo demasiado para que no se rompa ni se fissure, lo que lo hará saltar durante el funcionamiento.

Saque la bomba del estanque, desatornille los tornillos de sujeción y quite la mitad superior de la caja. Suelte la bomba de la mitad inferior de la caja quitando los dos tornillos del reductor de tirones del cable eléctrico.

Siga las siguientes instrucciones de limpieza descritas a continuación, según el modelo de la bomba:

- 1) Con un destornillador Phillips (cabeza en cruz), desatornille los cuatro tornillos de la tapa del impulsor (4) y quítela.
- 2) Con un destornillador de cabeza plana, levante cuidadosamente el conjunto del impulsor.
- 3) Limpie todos los componentes en agua limpia, con un cepillo pequeño, no abrasivo, si fuera necesario. NO UTILICE DETERGENTES NI NINGÚN OTRO LIMPIADOR QUÍMICO que pudieran dañar la bomba y contaminar el estanque.
- 4) Vuelva a montar todos los componentes con cuidado (véase la sección **Cómo cerrar la caja de la bomba**), asegurándose

de que el cojinete, el buje y la junta tórica del impulsor están bien colocados en el fondo del recinto del impulsor.

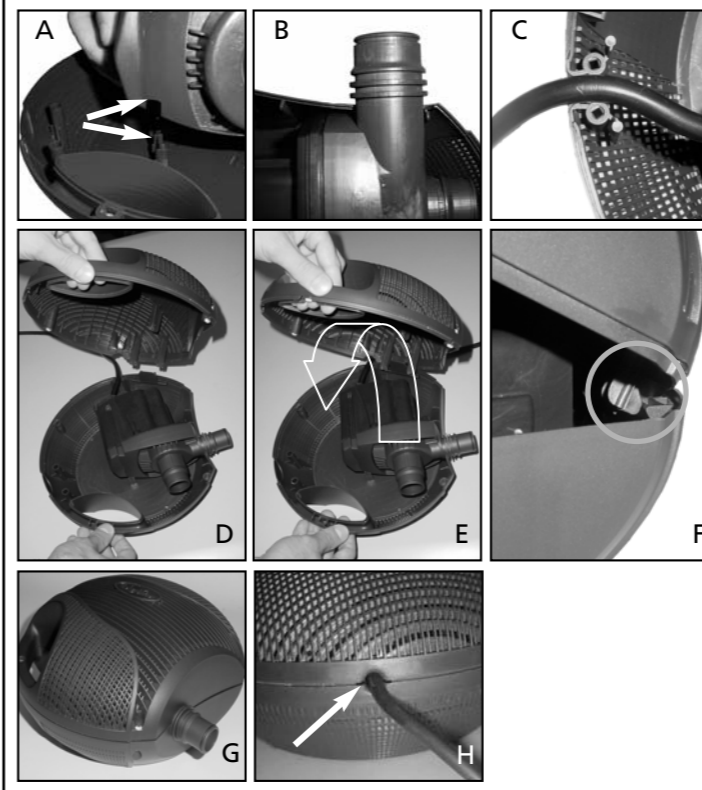
Cambio del buje y de la junta tórica

(repuestos no incluidos. Pieza n° PT-466).

Aunque el buje es de material muy resistente, en ciertas condiciones se desgasta. Por esta razón, se recomienda cambiarlo cuando se cambia el impulsor. Siga las instrucciones que vienen en el paquete de las piezas de repuesto. Una vez que usted haya cambiado el buje y la junta tórica, vuelva a montar todas las partes con cuidado (véase la ilus. 6).

Cómo cerrar la caja de la bomba

Colocar la bomba en la mitad inferior de la caja. Asegurarse de que el cable eléctrico esté bien asentado en la hendidura de la mitad inferior de la caja. Montar la mitad superior de la caja en la mitad inferior, a un ángulo de 45°, alineando primero las dos chavetas de la mitad superior con los dos agujeros de amarre, en la mitad inferior de la caja. Cerrar la caja totalmente, comprobando que ambas mitades estén completamente alineadas. Trabar los pasadores pivotes, según lo explicado en **Cómo abrir y cerrar la caja de la bomba**. Asegurarse de que la caja esté bien trabada y el cable eléctrico esté asentado como corresponde antes de levantar o de hacer funcionar la bomba.



DETECCIÓN DE FALLAS

LA BOMBA PRODUCE POCO FLUJO

- Fíjese que la caja de la bomba esté limpia.
- Fíjese que la manguera no esté bloqueada.
- Controle que la bomba no esté sucia ni tenga desechos.

LA BOMBA NO PRODUCE FLUJO

- Controle que la fuente de alimentación esté conectada a la corriente
- Controle el fusible (mercado del Reino Unido únicamente) y el cableado
- Controle que el enchufe esté bien conectado al tomacorriente
- Fíjese que la caja de la bomba esté limpia
- Fíjese que la manguera no esté bloqueada
- Controle que la bomba no esté sucia ni tenga desechos
- Controle que la bomba esté toda sumergida en el agua

BOMBA MAX-FLO		4200/16000 PT-352	
Voltios	120	230-240	
Herzios	60	50	
Vatios	160	160	
Profundidad máx.	6'6"/2 m		
Gasto máx.	US GPH	4200	4200
	LPH	16000	16000
Elevación máx.	ft	14'9"	14'9"
	m	4.5	4.5
Grado de protección	IPX8		

GARANTÍA

La bomba está garantizada contra todo defecto de materiales y mano de obra, por un período de tres años a partir de la fecha de adquisición, siempre y cuando se utilice en condiciones normales de uso. La bomba se reparará o reemplazará gratuitamente, a discreción del fabricante. Esta garantía no se aplica a casos de uso incorrecto, negligencia o daños hechos al impulsor o al eje del impulsor de la bomba. El fabricante no se responsabiliza de las pérdidas personales, daños a los animales u otras pertenencias, independiente de la razón. Esta garantía no afecta sus derechos legales. Las fallas producidas por un mal uso tampoco están cubiertas por esta garantía.

WINTERIZING THE PUMP

1. Unplug and remove the pump from the pond.
2. Gently scrub off any dirt and debris with a soft nylon brush.
3. Open the cage by unlocking the pivot pin fasteners and remove the pump.
4. Thoroughly clean the pump and cage as per instructions in this manual.
5. In addition, soak the impeller shaft and impeller well in white vinegar for 24 hours, then rinse off with water. This procedure will remove calcium and other mineral deposits from the impeller shaft. If these deposits are not removed they may cause the shaft to bind and break when the pump is started again.
6. Lubricate all seals with Laguna Silicone Lube (sold separately/PT-595)
7. Store indoors for best results. Do not store the pump in below-freezing temperatures.
8. When re-opening your pond or water feature in the spring, submerge the pump in the pond for 1 hour prior to starting the pump.

SO MACHEN SIE IHRE PUMPE WINTERFEST

1. Ziehen Sie den Netzstecker ab und entfernen Sie die Pumpe aus dem Teich.
2. Säubern Sie die Pumpe behutsam mit einer weichen Nylonbürste von Schmutz und Verunreinigungen.
3. Öffnen Sie den Filterkorb durch Entriegeln der drehbaren Befestigungsstifte und nehmen Sie die Pumpe aus dem Korb heraus.
4. Reinigen Sie Pumpe und Korb sorgfältig gemäß den in dieser Bedienungsanleitung enthaltenen Hinweisen.
5. Lassen Sie zusätzlich Flügelradachse und Flügelradkammer für 24 Stunden in Weißweinessig einweichen und spülen Sie sie anschließend mit Wasser. Dies hilft, die Flügelradachse von Kalk- und anderen Mineralablagerungen zu befreien. Falls diese Ablagerungen nicht entfernt werden, kann dies dazu führen, dass die Achse bei erneuter Inbetriebnahme der Pumpe blockiert und bricht.
6. Schmieren Sie alle Dichtungen mit Laguna Silikon (nicht im Lieferumfang enthalten; Art.-Nr. PT-595).
7. Lagern Sie die Pumpe möglichst im Haus. Lagern Sie die Pumpe nicht bei Temperaturen unter dem Gefrierpunkt.
8. Wenn Sie Ihren Teich oder Ihr Wasserspiel im Frühjahr wieder in Betrieb setzen, tauchen Sie die Pumpe vor Inbetriebnahme eine Stunde lang im Teich ein.

PRÉPARATION DE LA POMPE POUR L'HIVER

1. Débrancher et retirer la pompe du bassin.
2. Nettoyer doucement la saleté et les débris à l'aide d'une brosse en nylon doux.
3. Ouvrir le boîtier en déverrouillant les axes d'articulation et sortir la pompe du boîtier.
4. Nettoyer la pompe et le boîtier à fond en suivant les instructions de ce manuel.
5. De plus, faire tremper l'arbre et le puits de la couronne dans du vinaigre blanc pendant 24 heures et rincer ensuite avec de l'eau. Ce procédé contribuera à éliminer le calcium et autres dépôts minéraux de l'arbre de la couronne. Si ces dépôts ne sont pas enlevés, l'arbre pourra se coincer et briser lorsque la pompe démarrera de nouveau.
6. Lubrifier tous les joints d'étanchéité avec le lubrifiant de silicone Laguna (vendu séparément/PT-595)
7. Ranger à l'intérieur pour de meilleurs résultats et ne pas remiser à une température sous le point de congélation.
8. Au moment du redémarrage de votre bassin ou d'un ornement aquatique au printemps, submerger la pompe dans le bassin pendant une heure avant de la faire démarrer.

ACONDICIONAMIENTO DE LA BOMBA PARA EL INVIERNO

1. Desenchufe y quite la bomba del estanque.
2. Con un cepillo de nilón suave restriegue suavemente para sacar toda la suciedad y desechos.
3. Abra la caja, destrabando los pasadores pivotantes y quite la bomba de la caja.
4. Limpie a fondo la bomba y la caja, siguiendo las instrucciones de este manual.
5. Además, ponga a remojar el eje y el recinto del impulsor en vinagre blanco durante 24 horas, luego enjuague con agua. Este procedimiento ayudará a sacar el calcio y otros depósitos de minerales del eje del impulsor. Si estos depósitos no salen, el eje puede empastarse y romperse, cuando se encienda otra vez la bomba.
6. Lubrique todos los sellos con lubricante de silicona Laguna (se vende por separado, PT-595).
7. Guarde adentro para mayor seguridad. No guarde la bomba en un lugar donde haga temperaturas bajo cero.
8. Cuando vuelva a abrir el estanque en la primavera, sumerja la bomba en él durante una hora antes de encenderla.

CANADA

WARRANTY REGISTRATION CARD / FICHE DE GARANTIE RETURN TO VALIDATE YOUR GUARANTEE / RETOURNER POUR VALIDER VOTRE GARANTIE

In order to help us serve you better, please complete and mail in this Registration Card. Or, if you prefer, you may register on our web site (www.hagen.com). *Afin de nous aider à mieux vous servir, veuillez remplir et retourner cette fiche de garantie. Ou bien, vous pouvez enregistrer le modèle sur notre site Web (www.lagunaponds.com).*

Mr./M. Mrs./Mme Miss/Mlle Ms (PLEASE PRINT/VEULLIEZ ÉCRIRE EN LETTRES MOULÉES)

NAME NOM _____
First Name/Prénom _____ Last Name/Nom de famille _____

ADDRESS ADRESSE _____

CITY VILLE _____ PROV. _____ POSTAL CODE CODE POSTAL _____

TEL. _____ E-MAIL COURRIEL _____

DATE PURCHASED DATE DE L'ACHAT _____
DD/JJ MM/MM YY/AA

CITY VILLE _____ STORE MAGASIN _____
PROVINCE _____

WAS THIS A GIFT? S'AGIT-IL D'UN CADEAU?

YES OUI NO NON

PUMP USED FOR POMPE UTILISÉE POUR

WATERFALL CASCADES FOUNTAIN FONTAINE

LAGUNA MAX-FLO
CHECK LAGUNA PRODUCT PURCHASED / COCHER LE PRODUIT LAGUNA ACHETÉ

MF 4200 (PT-352)

20500 Trans Canada Highway, Montreal, Quebec, H9X 1N2

U.S.A.

WARRANTY REGISTRATION CARD RETURN TO VALIDATE YOUR GUARANTEE

In order to help us serve you better, please complete and mail in this Registration Card. Or, if you prefer, you may register on our web site (www.lagunaponds.com).

Mr. Mrs. Miss Ms (PLEASE PRINT)

NAME _____
First Name _____ Last Name _____

ADDRESS _____

CITY _____ STATE _____ ZIP CODE _____

TEL. _____ E-MAIL _____

DATE PURCHASED _____
DD MM YY

CITY _____ STATE _____

WAS THIS A GIFT?

YES NO

PUMP USED FOR

WATERFALL FOUNTAIN

LAGUNA MAX-FLO
CHECK LAGUNA PRODUCT PURCHASED

MF 4200 (PT-352)

Rolf C. Hagen (U.S.A) Corp. P.O. Box 9107 Mansfield, MA 02048 U.S.A.

FRANCE

FICHE DE GARANTIE À RETOURNER POUR VALIDER VOTRE GARANTIE

Afin de nous aider à mieux vous servir, veuillez remplir et retourner cette Carte d'enregistrement. Ou bien, vous pouvez enregistrer le modèle sur notre site web (www.lagunaponds.com).

M Mme Mlle Ms (VEULLIEZ ÉCRIRE EN LETTRES MOULÉES)

NOM _____
Prénom _____ Nom de famille _____

ADRESSE _____

VILLE _____ CODE POSTAL _____

TÉL. _____ COURRIEL _____

DATE DE L'ACHAT _____
JJ MM AA

VILLE _____ MAGASIN _____
CODE POSTAL _____

S'AGIT-IL D'UN CADEAU?

OUI NON

POMPE UTILISÉE POUR

CASCADES FONTAINE

LAGUNA MAX-FLO
COCHER LE PRODUIT LAGUNA ACHETÉ

MF 16000 (PT-352)

Rolf C. Hagen (France) SA, Parisud 4, Boulevard Jean Monnet, F-77388, Combs la Ville, France

D E U T S C H L A N D**GARANTIE-REGISTRIERUNGSKARTE
BITTE ZUM ERHALT DER GARANTIE ZURÜCKSENDEN**

Damit wir Sie besser betreuen können, füllen Sie bitte diese Registrierungskarte aus und schicken Sie sie an uns zurück. Falls Sie dies vorziehen, können Sie sich stattdessen auch auf unserer Website unter www.lagunaponds.com registrieren.

Herr **Frau** (BITTE IN DRUCKSCHRIFT AUSFÜLLEN)

NAME _____
Vorname Familienname

ADRESSE _____

STADT _____ LAND _____ POSTLEITZAHL _____

TELEFON-NUMMER _____ ALTER _____ GESCHLECHT M W

KAUFDATUM _____ GESCHÄFT _____
TT MM JJ

STADT _____ LAND _____

WAR ES EIN GESCHENK?

JA NEIN

PUMPE VERWENDET FÜR

WASSERFÄLLE
 SPRINGBRUNNEN

**LAGUNA MAX-FLO
WELCHES PRODUKT WURDE ERWORBEN**

MF 16000
(PT-352)

HAGEN Deutschland GmbH & Co. KG, Lehmweg 99-105, D-25488 Holm

U . K .**WARRANTY REGISTRATION CARD RETURN TO VALIDATE YOUR GUARANTEE**

In order to help us serve you better, please complete and mail in this Registration Card. Or, if you prefer, you may register on our web site (www.lagunaponds.com).

Mr. **Mrs.** **Miss** **Ms** (PLEASE PRINT)

NAME _____
First Name Last Name

ADDRESS _____

CITY _____ AGE GROUP: 16 OR LESS 17-35 36-60 OVER 60 SEX: MALE FEMALE

TEL. _____ E-MAIL _____

OCCUPATION: PROFESSIONAL/MANAGEMENT CLERICAL MANUAL STUDENT RETIRED UNEMPLOYED
 OTHER (PLEASE SPECIFY) _____

WHICH FACTOR MOST INFLUENCED YOUR DECISION TO PURCHASE THIS PRODUCT: STORE DISPLAY ADVERTISEMENT RETAILER RECOMMENDATION
 RECOMMENDATION OF A FRIEND OR RELATIVE OTHER (PLEASE SPECIFY) _____

WAS THIS A GIFT?

YES NO

PUMP USED FOR

WATERFALL FOUNTAIN

**LAGUNA MAX-FLO
CHECK LAGUNA PRODUCT PURCHASED**

MF 16000
(PT-352)

Rolf C. Hagen (U.K.) Ltd. California Dr. Whitwood Industrial Estate, Castleford, West Yorkshire WF10-5QH

E S P A Ñ A**TARJETA DE REGISTRO DE GARANTÍA**

DEVUÉLVALA CON LA INFORMACIÓN CORRESPONDIENTE PARA VALIDAR SU GARANTÍA

Para brindarle un mejor servicio, sírvase llenar y enviar esta tarjeta de registro de garantía; si lo prefiere, puede registrarse en nuestro sitio Web (www.hagen.com).

NOMBRE Y APELLIDOS _____

DIRECCIÓN _____

CIUDAD _____ PROVINCIA _____ CÓDIGO POSTAL _____

TELÉFONO _____ EDAD _____ SEXO _____

FECHA DE ADQUISICIÓN _____ TIENDA _____

CIUDAD _____ PROVINCIA _____

¿FUE UN REGALO?

SÍ NO

**LAGUNA MAX-FLO
MARQUE EL ARTÍCULO LAGUNA COMPRADO**

MF 16000
(PT-352)

Rolf C. Hagen España S.A., Av. de Beniparrell P.I. L'Altero n. 11 y 13, 46460 Silla, Valencia.

**MAX-FLO****Service**

If you have a problem or question about the operation of this product, please let us try to help you before you return the product. Most problems can be handled promptly over the phone. When you call, please have all relevant information, such as model number and/or part numbers. Call our Customer Service Department:

CANADA ONLY: Toll Free Number 1-800-55HAGEN (1-800-554-2436)Between 9:00 AM and 4:30 PM Eastern Time.
U.S. ONLY: Toll Free Number 1-800-724-2436Between 9:00 AM and 4:00 PM Eastern Time.
U.K. ONLY: Helpline Number 01977 556622Between 9:00 AM and 5:00 PM.

AUTHORIZED WARRANTY REPAIR SERVICE

If this product is defective, return it along with proof of purchase to either the store where you bought it or to:

CANADA: Rolf C. Hagen Inc., 3235 Guenette, Montreal, Quebec H4S1N2
US: Rolf C. Hagen (USA) Corp., 305 Forbes Blvd., Mansfield, MA 02048-1892
U.K.: Rolf C. Hagen (UK) Ltd., California Dr. Whitwood Ind. Est., Castleford, West Yorkshire WF10-5QH

For general information on our whole product range, explore our website at:
www.lagunaponds.com

Service après-vente

Si cet appareil vous semble défectueux ou que vous vous posez des questions quant à son fonctionnement, n'hésitez pas à communiquer avec nous avant de le retourner au marchand. Notre ligne téléphonique nous permet de régler la plupart des problèmes. S.V.P. ayez à la main tous les renseignements pertinents (p. ex. le numéro du modèle ou de la pièce).

SEULEMENT AU CANADA : Info-service sans frais : 1 800 55HAGEN (1 800 554-2436)Entre 9 h et 16 h 30 (HNE)
FRANCE: Tel: (33) 01.64.88.14.18

RÉPARATION D'UN ARTICLE SOUS GARANTIE

Si l'appareil est défectueux, le retourner avec une preuve d'achat à l'animalerie de votre région ou à :

CANADA: Rolf C. Hagen Inc., 3235, rue Guénette, Montréal QC H4S 1N2
FRANCE: Rolf C. Hagen (France) SA, Service à la clientèle, Parisud 4, boulevard Jean Monnet, Combs la Ville, F-77388

Si vous désirez des renseignements sur notre gamme de produits, n'hésitez pas à visiter notre site Web au :
www.lagunaponds.com

Kundendienst

Falls dieses Produkt fehlerhaft sein sollte, geben Sie es zusammen mit dem Kaufnachweis entweder an Ihren örtlichen Zoofachhändler oder senden Sie es mit im Voraus bezahlten Versandkosten an:

HAGEN Deutschland GmbH & Co. KG
Lehmweg 99 - 105
D-25488 Holm

KUNDENDIENST

Bei Problemen wenden Sie sich bitte an Ihren örtlichen Zoofachhändler oder den Kundendienst:

HAGEN Deutschland GmbH & Co. KG, Lehmweg 99-105, D-25488 Holm

Mehr Informationen über unser gesamtes Produktprogramm erhalten Sie auf unserer Website:
www.lagunaponds.com

Servicio

Si tiene usted algún problema o alguna pregunta acerca del empleo de este producto, permítanos ayudarle antes de devolver el producto a la tienda. La mayoría de los problemas pueden resolverse inmediatamente, mediante una simple llamada telefónica. Cuando nos llame (o nos escriba) dénos toda la información más pertinente: número de modelo y/o número de piezas. Llame a nuestro departamento de Servicio a la Clientela:

SÓLO EN CANADÁ: Línea gratuita 1-800-551HAGEN (1-800-554-2436)Entre las 9.00 y 16.30 horas, del Este.
SÓLO EN LOS EE.UU.: Línea gratuita 1-800-724-2436Entre las 9.00 y 16.00 horas, del Este.
SÓLO EN EL R.U.: Línea de ayuda 01977-556622Entre las 9.00 y 17.00 horas.

SERVICIO AUTORIZADO DE REPARACIÓN BAJO GARANTÍA

Si este producto resultase defectuoso, devuélvalo junto con la factura al comercio donde lo compró o bien a:

CANADÁ: Rolf C. Hagen Inc., 3235 Guenette, Montreal, Quebec H4S1N2
EE.UU.: Rolf C. Hagen (USA) Corp., 305 Forbes Blvd., Mansfield, MA 02048-1892
R.U.: Rolf C. Hagen (UK) Ltd., California Dr. Whitwood Ind. Est., Castleford, West Yorkshire WF10-5QH

Para información general sobre la gama completa de nuestros productos. Visite nuestro sitio web: www.lagunaponds.com



Distributed by:

CANADA: ROLF C. HAGEN INC.
20500 Trans Canada Hwy, Montreal, Québec, Canada H9X 0A2
USA: ROLF C. HAGEN (USA) CORP.
Mansfield, MA 02048, USA
UK: ROLF C. HAGEN (UK) LTD.
California Drive, Whitwood Industrial Estate, Castleford,
West Yorkshire, WF10 5QH, England

www.lagunaponds.com

DEUTSCHLAND: HAGEN Deutschland GmbH & Co. KG

Lehmweg 99-105, 25488 Holm / Kreis Pinneberg, Deutschland.
FRANCE: ROLF C. HAGEN (FRANCE) SA.
F-77388 Combs la Ville
SPAIN: Rolf C. Hagen España S.A., Av. de Beniparrell n. 11 y 13,
46460 Silla, Valencia
MALAYSIA: Rolf C. Hagen (SEA) Sdn Bhd 43200 Cheras,
Selangor D.E.

MADE IN ITALY

Laguna and Hagen are registered trademarks of Rolf C. Hagen Inc.