



POWERJET FREE-FLO

095659 01M03



POWERJET FREE-FLO

120V 60Hz

400

600

900

1300

1500

2000

2400

2900

230-240V 50Hz

1500

2200

3500

4500

6000

7500

9000

11000

Installation and Maintenance Guide

READ THOROUGHLY BEFORE ATTEMPTING INSTALLATION AND KEEP FOR FUTURE REFERENCE

Notice d'installation et d'entretien

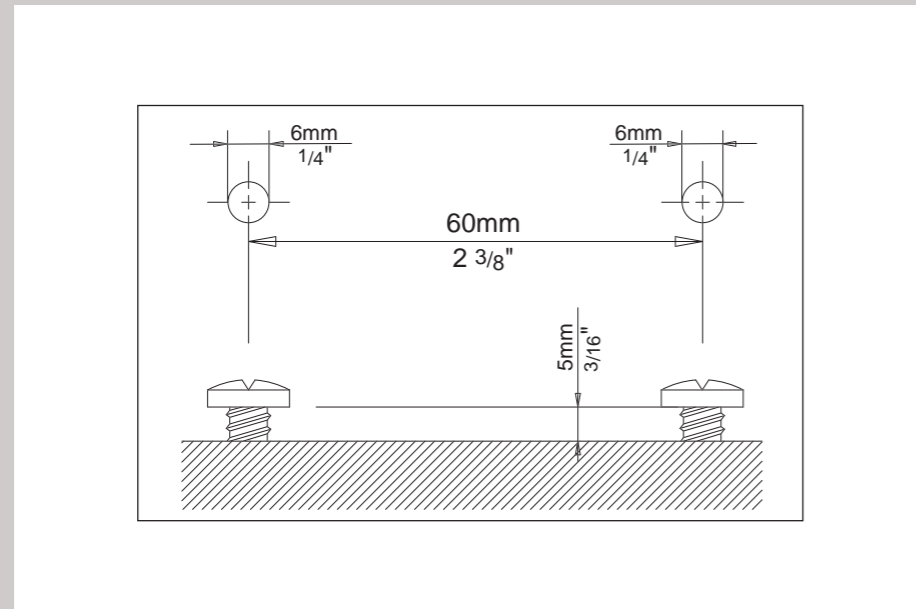
LIRE SOIGNEUSEMENT AVANT D'ENTREPRENDRE L'INSTALLATION DE L'APPAREIL. CONSERVER CETTE NOTICE POUR RÉFÉRENCES ULTÉRIEURES.

Einbau- und Wartungsanleitung

SORGFÄLTIG VOR BEGINN DER INSTALLATION DURCHLESEN UND FÜR SPÄTERE VERWENDUNG AUFBEWAHREN

Instalación y guía de mantenimiento

LEA ATENTAMENTE ESTE FOLLETO ANTES DE INTENTAR LA INSTALACIÓN Y GUARDAR ESTAS INSTRUCCIONES COMO REFERENCIA EN UN FUTURO



Template for mounting the pump to a fixed base

The pump has two keyhole-shaped slots at the bottom of the cage that allow you to fasten the pump to a fixed base using the screws and, if necessary, the plug anchors (for cement bases) provided.

Use this template to determine the exact position of the screws on the fixed base. Note that the base must be elevated, solid, and secure.

Schablone zur Montage der Pumpe auf einem fest montierten Sockel

Die Pumpe weist am Korbboden zwei schlüssellochförmige Schlitz auf, die es Ihnen gestatten, sie mittels der mitgelieferten Schrauben bzw. Dübel (für Zementsockel) auf einem fest montierten Sockel anzubringen.

Verwenden Sie diese Schablone, um die genaue Position der Schrauben auf dem fest montierten Sockel zu bestimmen. Beachten Sie, dass der Sockel erhöht liegen und solide und sicher montiert sein muss.

Modèle pour le montage de la pompe à une base fixe

La pompe est munie de deux ouvertures en forme de trous de serrure situées sous le boîtier vous permettant d'attacher la pompe à une base fixe à l'aide des vis, et si nécessaire, à l'aide des ancrages (pour base de ciment) qui sont fournis.

Utiliser ce modèle pour déterminer la position exacte des vis sur la base fixe. Noter que la base doit être élevée, solide et stable.

Plantilla para montar la bomba a una base fija

La bomba tiene dos ranuras tipo ojo de cerradura en la parte inferior de la jaula que permiten sujetar la bomba a una base fija usando los tornillos y, si fuera necesario, los sostenes del enchufe (para las bases de cemento) provistos.

Utilice esta plantilla para determinar la posición exacta de los tornillos con respecto a la base fija. Sírvase notar que la base debe estar elevada, ser sólida

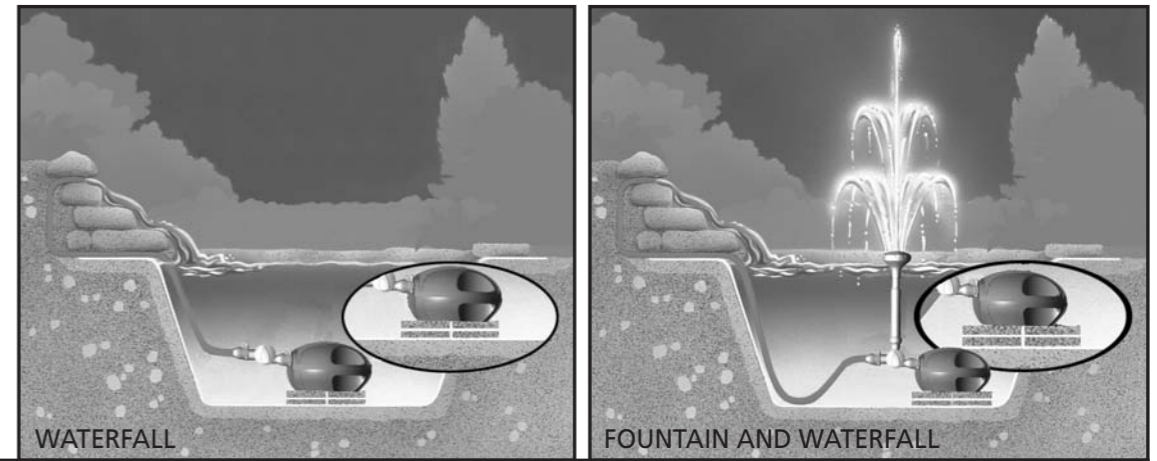




POWERJET FREE-FLO

Examples of different installations

Ensure that the pump is elevated to help prevent blockage of the pump cage



English Instructions.....2

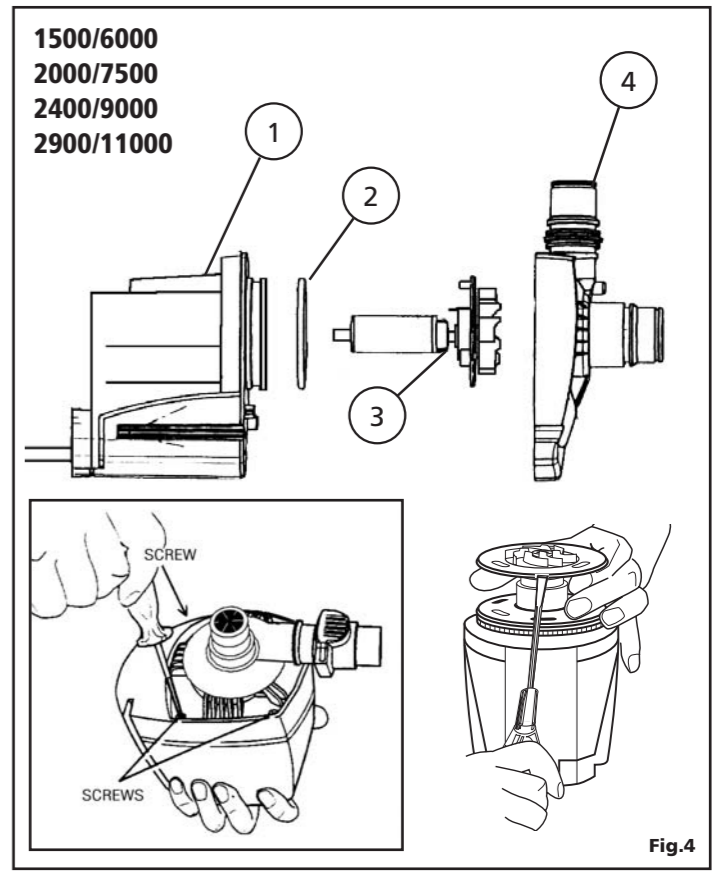
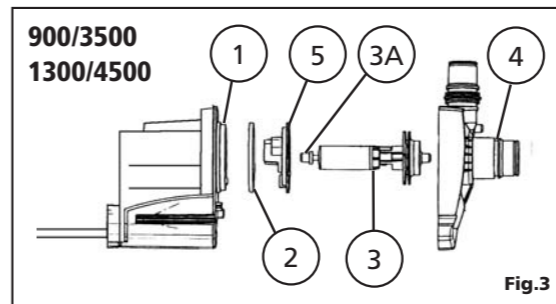
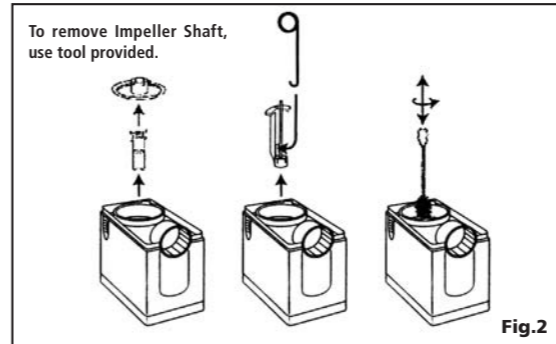
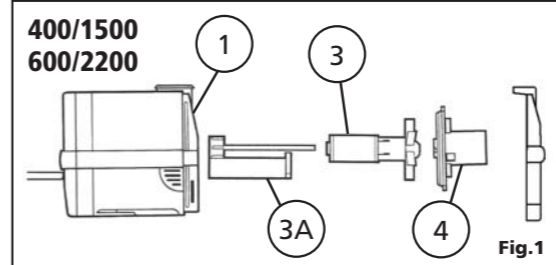
Instructions en français.....6

Gebrauchsanleitung deutsch10

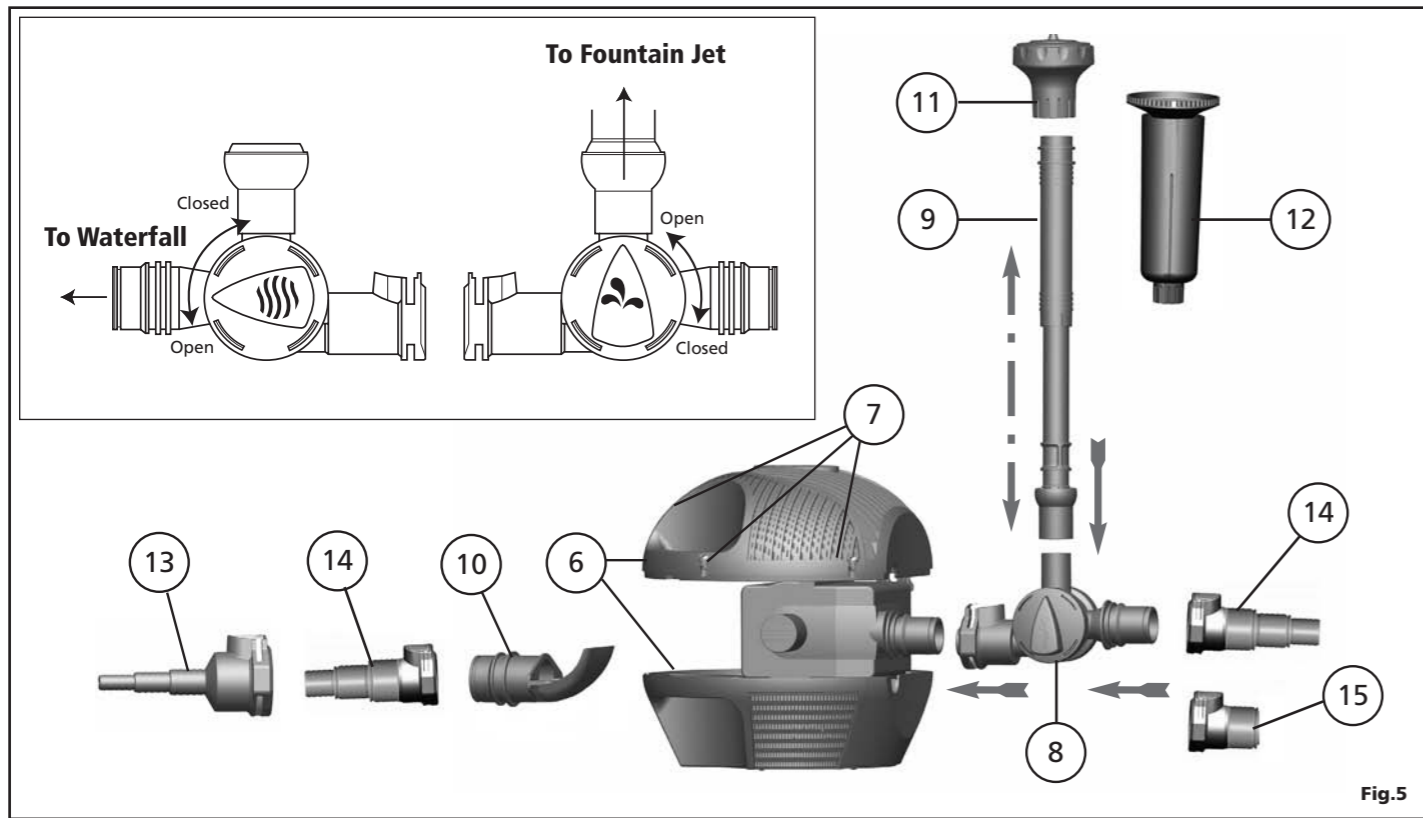
Instrucciones español.....14

Winterizing the Pump
Préparation de la pompe pour l'hiver
So machen Sie Ihre Pumpe winterfest
Acondicionamiento para el invierno de la bomba18

Warranty Card
Fiche de garantie
Garantie-Registrierungskarte19-20



Replacement Parts	400/1500 PT-324	600/2200 PT-326	900/3500 PT-328	1300/4500 PT-330	1500/6000 PT-332	2000/7500 PT-334	2400/9000 PT-336	2900/11000 PT-338
1 Motor	PT-380	PT-382	PT-384	PT-386	PT-388	PT-390	PT-392	PT-394
2 Seal Ring	-	-	PT-762	PT-762	PT-763	PT-764	PT-764	PT-764
3 Impeller Assembly	PT-454	PT-455	PT-457	PT-458	PT-459	PT-461	PT-461	PT-465
3A Impeller Shaft	PT-759	PT-759	PT-761	PT-761	-	-	-	-
4 Impeller Cover	PT-736	PT-737	PT-738	PT-738	PT-733	PT-735	PT-739	PT-739
5 Impeller Well Cover	-	-	PT-768	PT-768	-	-	-	-
6 Pump Cage	PT-440	PT-440	PT-441	PT-441	PT-442	PT-443	PT-443	PT-443
7 Pivot Pin Fasteners	PT-447	PT-447	PT-447	PT-447	PT-447	PT-447	PT-447	PT-447
8 Diverter Valve	PT-626	PT-626	PT-627	PT-627	PT-627	PT-628	PT-628	PT-628
9 Riser Stem	PT-616	PT-616	PT-617	PT-617	PT-617	PT-617	PT-617	PT-617
10 Remote Adapter	PT-609	PT-609	PT-609	PT-609	PT-609	PT-609	PT-609	PT-609
11 3-Step Fountain Head	PT-652 / 651	PT-652	PT-652	PT-652	PT-652	PT-654	PT-654	PT-654
12 Waterbell Fountain Head	PT-662	PT-662	PT-662	PT-662	PT-662	PT-664	PT-664	PT-664
13 Garden Hose Adapter (3/8", 1/2", 5/8")	PT-637	PT-637	PT-637	PT-637	PT-637	PT-637	PT-637	PT-637
14 Universal Fast Coupling (3/4", 1", 1-1/4" Adapter)	PT-640	PT-640	PT-640 (x2)	PT-640 (x2)	PT-640 (x2)	PT-640 (x2)	PT-640 (x2)	PT-640 (x2)
15 Click-Fit Coupling (1")	PT-635	PT-635	-	-	-	-	-	-



FOUNTAIN PUMP KIT
For freshwater and submersible use only
Read thoroughly prior to installation and operation

IMPORTANT SAFETY INSTRUCTIONS

WARNING: To guard against injury, basic safety precautions should be observed, including the following:

1. READ AND FOLLOW ALL SAFETY INSTRUCTIONS

- And all the important notices on the appliance before using the pump. Failure to do so may result in loss of fish life and/or damage to this appliance.
- 2. DANGER** – To avoid possible electric shock, special care should be taken since water is employed in the use of pond equipment. For each of the following situations, do not attempt repairs yourself; return the appliance to the store where it was purchased if still under warranty.
 - A. If the appliance shows any sign of abnormal water leakage or if RCD (or GFCI-Ground Fault Current Interrupter) switches off, disconnect the power supply cord from mains (main power supply) and remove pump from water.
 - B. Carefully examine the appliance after installation. It should not be plugged if there is water on parts not intended to be wet.
 - C. Do not operate any appliance if it has a damaged cord or plug, or if it is malfunctioning or if it is dropped or damaged in any manner. The power cord of this appliance cannot be replaced; if the cord is damaged, the appliance should be discarded. Never cut the cord.
- 3. Close supervision is necessary when any appliance is used by or near children.
- 4. To avoid injury, do not touch moving parts or hot parts.
- 5. **CAUTION** – Always unplug or disconnect all appliances in the pond from the electrical supply before placing hands in water, before putting on or taking off parts and while the equipment is being installed, maintained or handled. When inserting or removing the pump from the water, always pull out the main electrical plug. Never yank the cord to pull the plug from outlet. Grasp the plug and pull to disconnect. Always unplug an appliance from an outlet when not in use. Never lift the pump by the cord. Use the unit handle.
- 6. **CAUTION** – THIS IS A POND PUMP. This Pump has been evaluated for use with water only. Do not use this pump for other than its intended use (i.e.: do not use in swimming pools, bathrooms, etc.). The use of attachments not recommended or sold by the appliance manufacturer may cause an unsafe condition.
 - Do not use this pump in swimming pools or other situations where people are immersed.
 - This pump is suitable for use in water temperatures up to 35 °C.
 - Do not use this pump with inflammable or drinkable liquids.
- 7. Do not install or store the appliance where it will be exposed to temperatures below freezing. Remove and store the pump in a sheltered place. Shelter the pump from direct sunlight. The materials have high stability to sunlight but direct rays may overheat the motor and speed up insulator aging.

- 8. **IMPORTANT** - This pump can be operated only when the pump unit is correctly closed inside the pump cage and after checking that the cage is securely locked by the fastening screws located on the top half of the cage. Make sure that the pump is securely installed before operating it. Do not allow the pump to run dry. The pump must be immersed in water completely. This pump must never operate outside of water.
- 9. If an extension cord is necessary, ensure the connection is watertight and dust proof. A cord with proper rating should be used. A cord rated for less amperes or watts than the appliance rating may overheat. Care should be taken to arrange the cord so that it will not be tripped over or pulled. The connection should be carried out by a qualified electrical installer.
- 10. **IMPORTANT** – Supply through a Residual Current Device (RCD or Ground Fault Current Interrupter) with rated residual current not exceeding 30 mA.
- 11. **WARNING** – Risk of electric shock – This pump is supplied with a grounding-type or earthing-type attachment plug. To reduce the risk of electric shock:
 - be certain that it is connected only to a properly grounded/earthed, ground-type/earthing-type receptacle/socket
 - Use only on portable self-contained fountains no larger than 5 feet in any dimension (FOR U.S.A. ONLY)

ADDITIONAL INSTRUCTIONS FOR U.K. ONLY

This product is designed to be permanently wired to the mains supply in a dry weatherproof enclosure through a double pole switched fused spur which complies to BS3676, fitted with a 3 Amp fuse. The installation must conform to the regulations of the Local Electricity Authority which could include the use of plastic or metal conduit to protect the cable. A 30 mA Residual Current Device 'RCD' must be fitted to the mains supply.

WARNING - THIS APPLIANCE MUST BE EARTHED.

IMPORTANT - The wires in this mains lead are coloured in accordance with the following code:

Brown - Live **Blue** - Neutral **Green/Yellow** - Earth

The **Brown** lead should be connected to the Live terminal, which may be marked with an 'L' or coloured brown or red.

The **Blue** lead should be connected to the Neutral terminal, which may be marked with an 'N' or coloured blue or black.

The **Green/Yellow** lead should be connected to the Earth terminal, which may be marked with an 'E' or coloured green or yellow.

SAVE THESE INSTRUCTIONS FOR FUTURE REFERENCE

Only the faithful observation of these installation, electrical and maintenance guidelines will ensure the safe and efficient use of this pump.

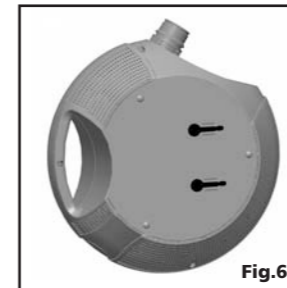
PUMP INSTALLATION INSTRUCTIONS

General Information

PowerJet pumps are designed to generate powerful water circulation that is essential for the creation of fountains and waterfalls. Besides being pleasant to see, water flow contributes to the oxygenation of pond water, which is beneficial to pond fish and plants. **The pump is designed to circulate clear water only and is not a pond filter.**

The pump motor sits inside a uniquely-shaped cage that is designed to block out any solids that could potentially clog the pump and fountain jets. This unique blocking feature ensures an extended period of reliable operation. **The pump must never be used without its cage.**

In order to prevent the pump from sucking dirt directly from the pond bottom, we recommend that you install it on an elevated surface that is flat and level. It is recommended that you secure the pump to a fixed base by using the keyhole-shaped slots located at the bottom of the cage, which is shaped to allow the fast engaging/disengaging of the pump from the base. (See Fig. 6)



Check that the information on the nameplate (which is located on the pump) corresponds to the power supply. The electrical installation and wiring must comply with the safety standards in your area. If unsure, ask a qualified electrician to do the wiring. The electrical cord must be protected against any objects that may potentially damage it. The electrical receptacle/socket must be located in a dry, protected and easily accessible place.

WARNING: Always unplug or disconnect all appliances in the pond from the electrical supply before installing, repairing, maintaining or handling the equipment in the water.

Important: To achieve the best pump operation, always use the largest bore hose possible. Avoid sharp bends in the hosing; gradual curves are preferred.

Installation: (see Fig. 5)

Warning: Do not plug in the pump before it is correctly and fully installed.

- 1) Insert the Telescopic Riser Stem (9) into the relevant seat of the diverter (8).
- 2) Insert the Fountain Jet (11 or 12) on the top of the Telescopic Riser Stem (9).
- 3) Insert the Diverter (8) complete with the Telescopic Riser Stem (9) and Fountain Jet (11 or 12) onto the pump output, ensuring that the "Click-Fit" coupling clicks into place.
- 4) If installing an underwater filter, see *Extending pump operation using a PowerFlo Underwater Filter* below. If using the backwash feature to periodically rinse the pump cage, see *Pump Cage Backwash*.
- 5) Place the pump in the pond ensuring that it is completely immersed in water and securely installed on a solid, level and elevated platform. If necessary, use the keyhole-shaped slots at the bottom of the pump to fasten it to a secure base. Use extra care when engaging or disengaging the pump.
- 6) Adjust the height of the Fountain Jet (11 or 12) by moving the Telescopic Riser Stem (9) up or down.
- 7) To further increase the height of the Fountain Jets, attach an optional Extension Tube (sold separately, PT-645). Not applicable to Models 400/1500 and 600/2200.
- 8) To use the additional outlet of the Diverter to transfer water to a waterfall, a PowerClear UV Sterilizer or other equipment, connect a flexible hose (not included) to the side outlet of the Diverter using a Click-Fit coupling. If using a Universal Click-Fit coupling (14), cut it off at the required size by using a small hack saw in order to allow the hose to fit properly and to achieve the best pump performance.
- 9) Water flow to the Fountain Jet or Waterfall Outlet can be adjusted separately using the two control valves located on the sides of the Diverter (8).

Pump Operation

Once the pump is fully installed, it can be started by inserting the plug in the electrical receptacle/socket.

Opening and Closing the Pump Cage (see Fig. 7)

The upper and lower halves of the pump cage are fastened together by pivot pin fasteners. Using a standard flat screwdriver (5 mm to 8 mm), do the following:

To open the pump cage: Gently turn the fastener counterclockwise by 1/4 to release the pin.

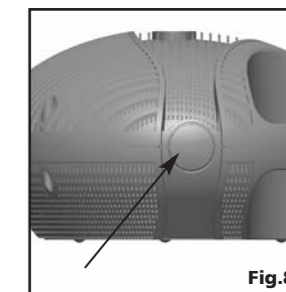
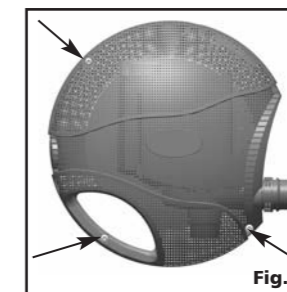
To close the pump cage: Gently press on the fastener and turn clockwise by 1/4 to lock the pin.

Extending pump operation using a PowerFlo Underwater Filter (sold separately)

To reduce the frequency of cleaning the pump and extending pump operation, you can connect the main pump cage to a Laguna Underwater Filter (PT-500 or PT-505). In addition to prolonging pump operation, installing a filter also improves the quality of your pond water.

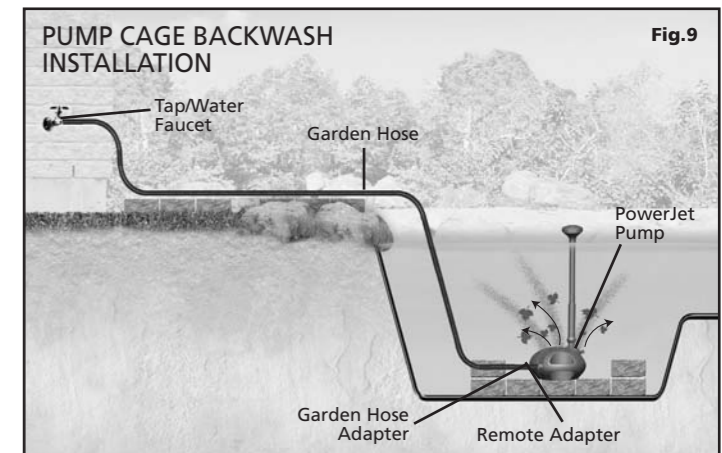
- 1) Open the pump cage by unlocking the pivot pin fasteners (Fig. 7)
- 2) The Pump Cage is equipped with a pre-scored section (Fig. 8) that must be cut out with a suitable cutting tool
- 3) Insert a Remote Adapter (10) in the scored opening at the back of the Pump Cage
- 4) Close the cage, ensuring that the two halves are properly aligned and coupled, and then lock them with the pivot pin fasteners (Fig. 7) on the unit
- 5) Connect the Pump Cage to the filter using flexible hosing (not included) attached to the Click-Fit hose connector

Important: During pump operation, the Underwater Filter must always be completely immersed in water to prevent air from being sucked into the pump and damaging it. Also ensure that the Pump Cage is securely locked before lifting and operating the pump.



Pump Cage Backwash (see Fig. 9)

The backwash system allows you to connect a garden hose to the pump in order to partially clean off any dirt and debris resting on the surface of the pump cage. This feature ensures the temporary restoration of water flow through the pump and also brings new water to the pond. Use the Remote Adapter (10) and Garden Hose Adapter (13) to connect a garden hose to the pump cage. Connect the other end of the hose to a tap/water faucet. Disconnect the pump from the main power supply. Run the water through the pump cage for at least 1 minute. Restore power to the pump. Repeat if necessary.



NOTE: Add a suitable amount of Laguna Water Prep dechlorinator (sold separately, PT-860, PT-863) when adding tap water to the pond.

Pump Maintenance

WARNING: Always unplug or disconnect all appliances in the pond from the electrical supply before installing, repairing, maintaining or handling the equipment in the water.

To avoid shortening the life of the pump, follow these simple maintenance procedures:

- Once a week, verify that the pump performance is satisfactory. If you detect a drop in pump performance (a decrease in water flow to the fountain jet or waterfall), first clean the Pump Cage, the Fountain Jet, the hosing, and the Diverter. If the water flow is still not fully restored to its original performance, clean the Impeller, Impeller Well and Impeller Cover (See maintenance procedure below)
- The Pump Cage must be cleaned at least once a month
- When necessary, or at least once a year, clean the pump motor completely (Impeller, Impeller Well, and Impeller Cover) and check that no limestone deposits, which could jeopardize pump operation, are present

- To keep the pump in good working order, always replace any worn parts
- The pump motor has no user serviceable parts. If the motor or the electrical cord is damaged, discard the pump
- If you have any doubts, consult your Laguna retailer or call the appropriate customer service department listed at the back of this manual

Cleaning the Pump Cage

The main purpose of the Pump Cage is to keep the pump free of solid particles (or solids) that could potentially clog the pump and fountain jet. It is therefore normal that these solids progressively accumulate on the external surface of the cage and, with the passing of time, can diminish the performance of the pump. To clean the cage and restore the pump performance to its original level, proceed with one of the following:

- Without removing the pump from the pond, brush off the debris from the external surface of the cage using a broom or similar tool. For best results, brush the cage along the ribs
- If you have set up the backwash system (see Pump Cage Backwash), turn the pump off and introduce tap water into the pump for at least 1 minute, without removing the pump from the pond
- Remove the pump cage from the pond, unlock the pivot pin fasteners (Fig. 7) and remove the upper half of the cage. Clean all components with streaming water from a garden hose. Reassemble all components with care

Ensure that the pump cage is securely locked and the electrical cord is seated properly in position before lifting or operating the pump (see Fig. 10 section).

Cleaning the pump motor impeller, impeller well, and impeller cover

CAUTION: The pump motor includes a high quality ceramic shaft that provides long-lasting, reliable performance when properly maintained. However, extreme care should be taken when handling the shaft during maintenance. Avoid dropping or pressing too hard on it to avoid breakage or hairline fractures, which may cause the shaft to snap while in operation.

Take the pump out of the pond, unlock the pivot pin fasteners (Fig. 7) and remove the upper half of the cage. Free the pump from the lower half of the cage.

Proceed with the following cleaning instructions as per pump model:

PowerJet 400/1500 and 600/2200 (Fig. 1)

- 1) Remove the motor cover, then remove the impeller cover (4) by twisting and pulling it off.
- 2) Remove the impeller assembly (3)
- 3) If necessary, remove the impeller shaft (3A) using the tool provided (A-17015) (Fig. 2)
- 4) Clean all components in clean water only, using a small, non-abrasive brush, if necessary. DO NOT USE DETERGENTS OR OTHER CHEMICAL CLEANERS which could damage the pump and pollute the pond.
- 5) Reassemble all components with care (see Fig. 10 section).

PowerJet 900/3500 and 1300/4500 (Fig. 3)

- 1) Using a Phillips (cross-headed) screwdriver, unscrew the four screws on the impeller cover (4) and remove it
- 2) Remove the impeller assembly (3)
- 3) Clean all components in clean water only, using a small, non-abrasive brush, if necessary. DO NOT USE DETERGENTS OR OTHER CHEMICAL CLEANERS which could damage the pump and pollute the pond
- 4) Reassemble all components with care (see Fig. 10 section).

PowerJet 1500/6000 (Fig. 4)

- 1) Using a Phillips (cross-headed) screwdriver, unscrew the three screws on the impeller cover (4) and remove it
- 2) Remove the impeller assembly (3) by grasping the flange. This operation will cause the Seal Ring (2) to come out of its seat
- 3) Clean all components in clean water only, using a small, non-abrasive brush, if necessary. DO NOT USE DETERGENTS OR OTHER CHEMICAL CLEANERS which could damage the pump and pollute the pond
- 4) Reassemble all components with care (see Fig. 10 section), by first placing the impeller assembly and then the Seal Ring on their proper seats. Ensure that the

impeller bearing, bushing and O-Ring are correctly placed at the bottom of the impeller well.

PowerJet 2000/7500, 2400/9000 and 2900/11000 (Fig. 4)

- 1) Using a Phillips (cross-headed) screwdriver, unscrew the four screws on the impeller cover (4) and remove it
- 2) Using a flathead screwdriver, carefully lift out the impeller assembly (3)
- 3) Clean all components in clean water only, using a small, non-abrasive brush, if necessary. DO NOT USE DETERGENTS OR OTHER CHEMICAL CLEANERS which could damage the pump and pollute the pond
- 4) Reassemble all components with care (see Fig. 10 section), ensuring that the impeller bearing, bushing and O-Ring are correctly placed at the bottom of the impeller well

Replacing the Bushing and O-Ring (Replacement pack not included. Part # PT-466).

For PowerJet 1500/6000, 2000/7500, 2400/9000 and 2900/11000 only

Though the bushing is made of very resistant material, it is prone to wearing in certain conditions. For this reason, it is recommended that you replace it whenever the impeller unit is replaced. Follow the instructions provided with the replacement parts package. Once you have replaced the Bushing and O-Ring, reassemble all parts with care (see Fig. 10 section).

Put the pump back in its original position by laying it in the bottom half of the cage (Fig 10). Fasten the electrical cord to the bottom half of the cage, ensuring that the electrical cord is seated properly in position. Close the pump cage by first engaging the upper half of the cage to the lower half in the pre-arranged seats opposite the cage handle. Then close the two halves together, ensuring that they are correctly aligned and there are no openings. Finally, lock the two halves together using the pivot pin fasteners.

Ensure that the pump cage is securely locked and the electrical cord is seated properly in position before lifting or operating the pump.



Fig.10

TROUBLESHOOTING

LOW FLOW FROM PUMP

- Check that the pump cage is clean
- Check the hose for blockages
- Check that the pump is free of dirt and debris

NO FLOW FROM PUMP

- Check that the power supply is on
- Check the fuse (UK market only) and wiring
- Check that the plug is correctly connected to the electrical receptacle/socket
- Check that the pump cage is clean
- Check the hose for blockages
- Check that the pump is free of dirt and debris
- Check that the Pump or the PowerFlo Filter are completely immersed in water

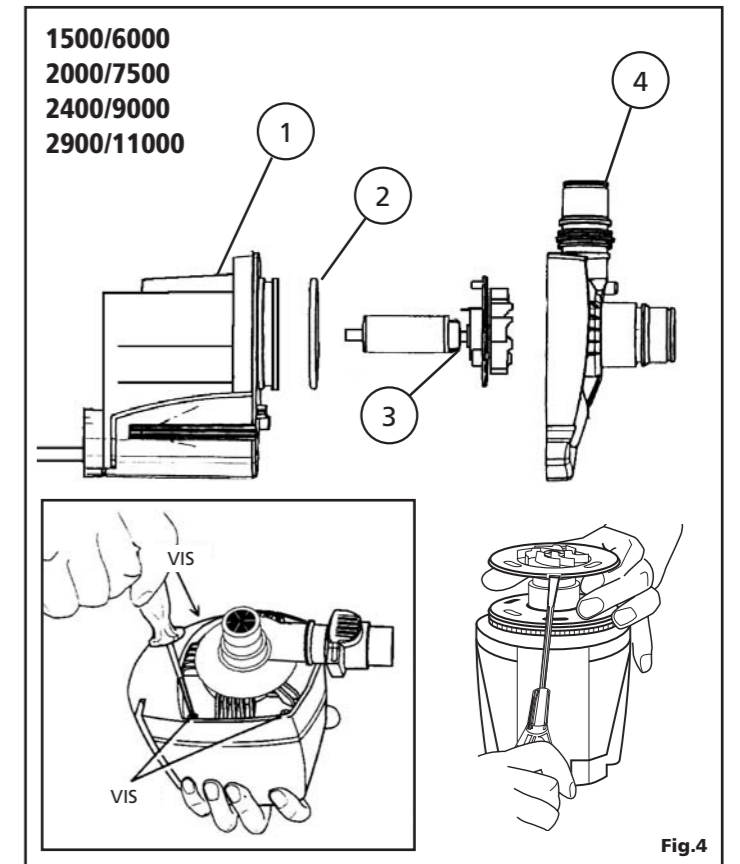
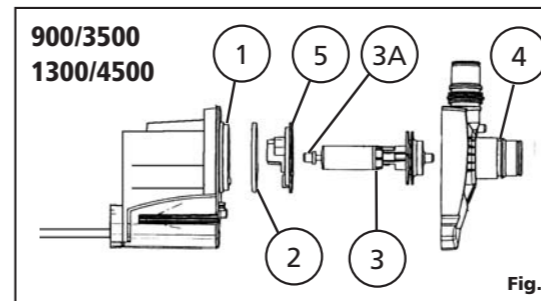
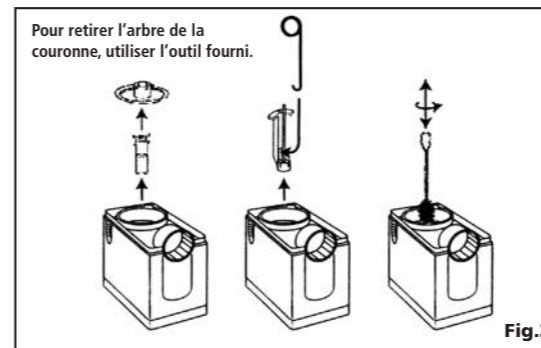
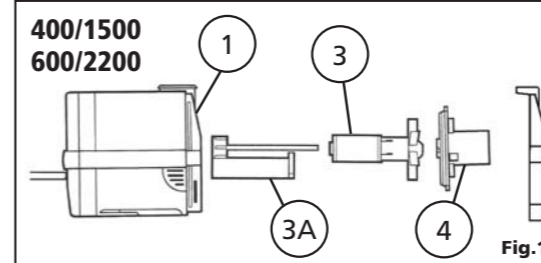
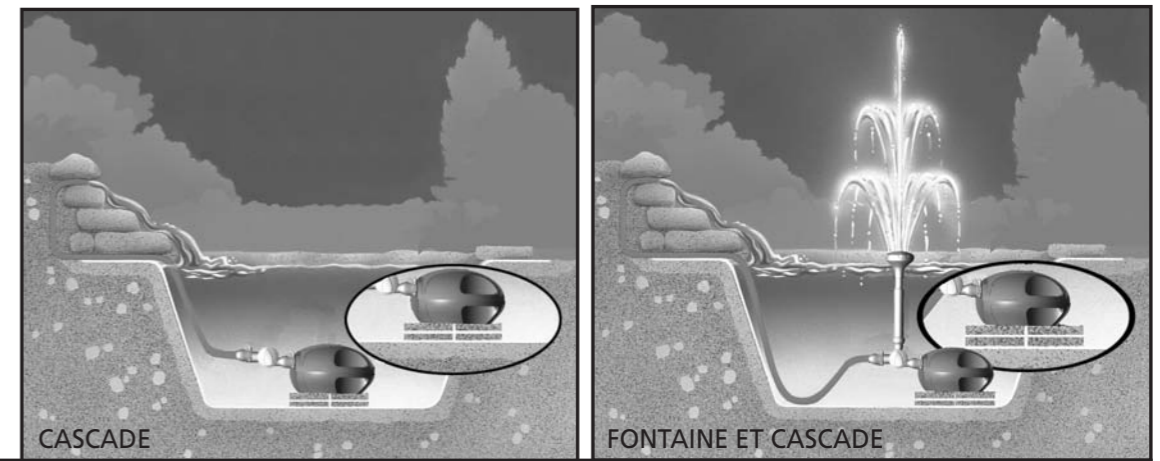
POOR FOUNTAIN DISPLAY

- Check that the fountain jet is clean

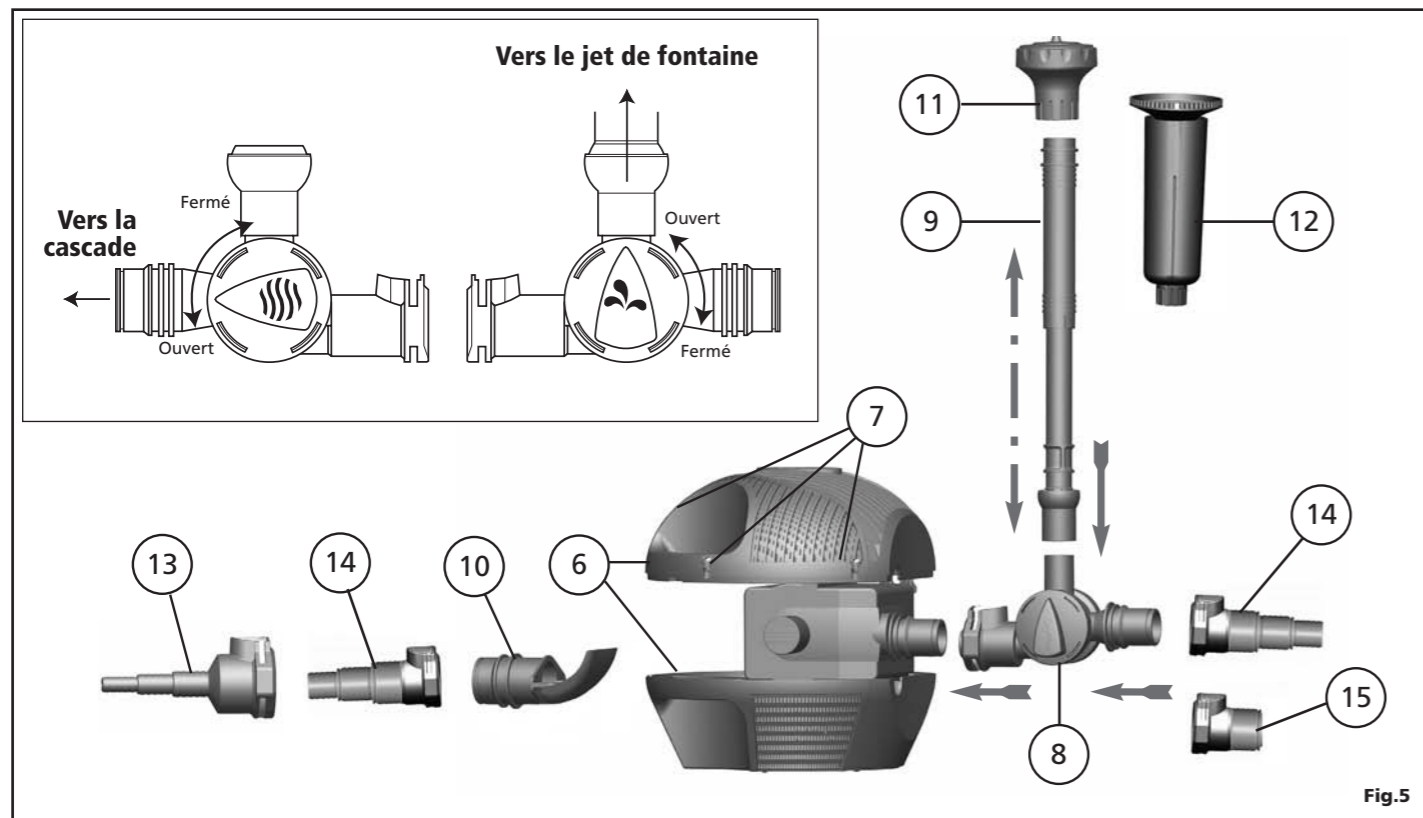
POWERJET PUMP	400/1500 PT-324		600/2200 PT-326		900/3500 PT-328		1300/4500 PT-330		1500/6000 PT-332		2000/7500 PT-334		2400/9000 PT-336		2900/11000 PT-338		
Volts	120	230-240	120	230-240	120	230-240	120	230-240	120	230-240	120	230-240	120	230-240	120	230-240	
Hertz	60	50	60	50	60	50	60	50	60	50	60	50	60	50	60	50	
Watts	19	21	32	32	65	55	72	55	100	80	100	100	100	100	130	125	
Maximum depth	6'6"/2 m		6'6"/2 m		6'6"/2 m		6'6"/2 m		6'6"/2 m		6'6"/2 m		6'6"/2 m		6'6"/2 m		
Max flow rate	USGPH	383	383	582	582	899	977	1281	1255	1585	1558	1981	1981	2378	2378	2853	2800
	LPH	1450	1450	2200	2200	3400	3700	4850	4750	6000	5900	7500	7500	9000	9000	10800	10600
Max head	ft	5'7"	5'7"	5'10"	5'10"	6'4"	6'2"	8'6"	8'4"	13'5"	11'6"	12'2"	12'2"	12'2"	12'2"	14'9"	14'9"
	m	1.7	1.7	1.8	1.8	1.95	1.9	2.6	2.45	4.10	3.50	3.7	3.7	3.7	3.7	4.5	4.5
Degree of protection	IPX8		IPX8		IPX8		IPX8		IPX8		IPX8		IPX8		IPX8		

Exemples de différentes installations

S'assurer que la pompe est élevée pour aider à prévenir l'obstruction de son boîtier



Pièces de rechange	400/1500 PT-324	600/2200 PT-326	900/3500 PT-328	1300/4500 PT-330	1500/6000 PT-332	2000/7500 PT-334	2400/9000 PT-336	2900/11000 PT-338
1 Moteur	PT-380	PT-382	PT-384	PT-386	PT-388	PT-390	PT-392	PT-394
2 Joint d'étanchéité	-	-	PT-762	PT-762	PT-763	PT-764	PT-764	PT-764
3 Couronne	PT-454	PT-455	PT-457	PT-458	PT-459	PT-461	PT-461	PT-465
3A Arbre de la couronne	PT-759	PT-759	PT-761	PT-761	-	-	-	-
4 Couvercle de la couronne	PT-736	PT-737	PT-738	PT-738	PT-733	PT-735	PT-739	PT-739
5 Couvercle du puits de la couronne	-	-	PT-768	PT-768	-	-	-	-
6 Boîtier de la pompe	PT-440	PT-440	PT-441	PT-441	PT-442	PT-443	PT-443	PT-443
7 Axes d'articulation	PT-447	PT-447	PT-447	PT-447	PT-447	PT-447	PT-447	PT-447
8 Déflecteur	PT-626	PT-626	PT-627	PT-627	PT-627	PT-628	PT-628	PT-628
9 Tube de montée	PT-616	PT-616	PT-617	PT-617	PT-617	PT-617	PT-617	PT-617
10 Adaptateur pour accessoires éloignés	PT-609	PT-609	PT-609	PT-609	PT-609	PT-609	PT-609	PT-609
11 Jet-3 niveaux	PT-652 / 651	PT-652	PT-652	PT-652	PT-652	PT-654	PT-654	PT-654
12 Jet-cloche	PT-662	PT-662	PT-662	PT-662	PT-662	PT-664	PT-664	PT-664
13 Adaptateur pour tuyau d'arrosage (10, 13 et 16 mm)	PT-637	PT-637	PT-637	PT-637	PT-637	PT-637	PT-637	PT-637
14 Raccord rigide universel (pour adaptateur de 19, 25, 32 mm)	PT-640	PT-640	PT-640 (x2)	PT-640 (x2)	PT-640 (x2)	PT-640 (x2)	PT-640 (x2)	PT-640 (x2)
15 Raccord auto-bloquant (25 mm)	PT-635	PT-635	-	-	-	-	-	-



POMPE AVEC ACCESSOIRES POUR FONTAINE Utiliser seulement en eau douce et pour submersion

Lire en entier avant l'installation et la mise en marche

MESURES DE SÉCURITÉ

MISE EN GARDE : Pour éviter tout accident, il est important de prendre les précautions suivantes :

1. LIRE ET SUIVRE TOUTES LES MESURES DE SÉCURITÉ

- ainsi que toutes les instructions notées sur l'appareil. Sinon, il peut en résulter la perte des poissons ou du dommage à cet appareil.
- DANGER** – Du fait de l'utilisation de l'eau et d'un appareil électrique, une grande prudence est de rigueur avec l'équipement d'un bassin. Dans chacune des situations suivantes, ne pas essayer de réparer l'appareil soi-même; le retourner au magasin où il a été acheté s'il est encore sous garantie.
 - Si l'appareil montre un signe de fuite anormale d'eau ou si le disjoncteur différentiel (ou disjoncteur de fuite de terre) s'éteint, débrancher le cordon électrique du réseau d'alimentation (alimentation principale) et retirer la pompe de l'eau.
 - Examiner soigneusement l'appareil après l'avoir installé. Il ne devrait pas être branché si de l'eau se trouve sur des pièces ne devant pas être mouillées.
 - Ne pas faire fonctionner un appareil si son cordon électrique ou sa fiche sont endommagés, s'il est défectueux, s'il a été échappé ou endommagé d'une façon quelconque. Le cordon d'alimentation de cet appareil ne peut être remplacé; s'il est endommagé, l'appareil doit être jeté. Ne jamais couper le cordon d'alimentation.
 - Il est recommandé de surveiller étroitement les enfants qui utilisent un appareil ou se trouvent à proximité.
 - Pour éviter les accidents, ne pas toucher aux pièces mobiles ou chaudes.
 - ATTENTION** – Toujours débrancher tous les appareils électriques dans le bassin avant de placer vos mains dans l'eau, avant d'installer ou d'enlever des pièces et pendant que l'équipement est installé, entretenu ou manipulé. Au moment de déposer la pompe dans l'eau ou de la retirer de l'eau, toujours débrancher la fiche principale. Ne jamais tirer sur le cordon électrique pour débrancher l'appareil. Prendre la fiche et débrancher l'appareil. Toujours débrancher un appareil quand il n'est pas utilisé. Ne jamais soulever la pompe par le cordon électrique. Utiliser la poignée de l'appareil.
 - ATTENTION** – IL S'AGIT D'UNE POMPE POUR BASSIN. Cette pompe ne doit être employée qu'avec de l'eau. Ne pas utiliser cette pompe pour un emploi autre que celui pour lequel elle a été fabriquée (par exemple, ne pas s'en servir dans une piscine, une salle de bain, etc.). L'emploi de fixations qui n'ont été ni recommandées ni vendues par le fabricant de l'appareil peut compromettre sa sécurité.
 - Ne pas utiliser cette pompe dans une piscine ou dans d'autres cas où des personnes sont dans l'eau.
 - Cette pompe convient dans de l'eau pouvant atteindre 35 °C.
 - Ne pas se servir de cette pompe avec des liquides inflammables ou potables.

- Ne pas exposer cet appareil aux intempéries ou à une température en dessous de 0 °C. Retirer et ranger la pompe dans un endroit couvert. La protéger de la lumière directe du soleil. Les matériaux ont une stabilité élevée à la lumière du soleil mais les rayons directs peuvent surchauffer le moteur et accélérer l'usure de l'isolateur.
- IMPORTANT** - Cette pompe ne peut fonctionner que lorsqu'elle est bien placée à l'intérieur de son boîtier et après avoir vérifié que le boîtier est solidement verrouillé à l'aide des axes d'articulation se situant sur le dessus. S'assurer que la pompe est bien installée avant de la mettre en marche. Ne pas faire fonctionner la pompe à sec. Elle doit être complètement immergée dans l'eau et ne doit jamais fonctionner en dehors de l'eau.
- Si une rallonge électrique est nécessaire, on doit s'assurer que le raccord est étanche et antipoussière. Il faut utiliser un cordon électrique d'un calibre suffisant. Un cordon de moins d'ampères ou de watts que le calibre de l'appareil peut surchauffer. Le cordon doit être placé de façon à éviter que quelqu'un trébuche. Le raccordement devrait être effectué par un électricien qualifié.
- IMPORTANT** – Fournir l'électricité à l'aide d'un disjoncteur différentiel (ou interrupteur de défaut à la terre) ayant un courant résiduel ne dépassant pas 30 mA.
- MISE EN GARDE** – Risque de choc électrique – Cette pompe est munie d'une fiche de raccordement de mise à la terre. Afin de réduire le risque de choc électrique :
 - vous assurer qu'elle est branchée seulement à une prise de courant adéquatement mise à la terre.

CONSERVER CES MESURES DE SÉCURITÉ POUR CONSULTATION

Seule l'observation rigoureuse de ces directives concernant l'installation, l'électricité et l'entretien assurera l'utilisation sûre et efficace de cette pompe.

INSTRUCTIONS D'INSTALLATION DE LA POMPE

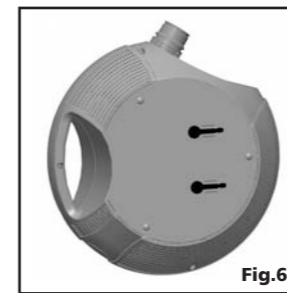
Information générale

Les pompes PowerJet sont conçues pour produire une forte circulation d'eau essentielle à la création de fontaines et de cascades. En plus d'être agréable à regarder, le débit d'eau contribue à l'oxygénation de l'eau du bassin et est bénéfique aux poissons et aux plantes. La pompe fait circuler seulement l'eau claire et n'est pas un filtre de bassin.

Le moteur de la pompe est situé à l'intérieur d'un boîtier de forme exclusive conçu pour bloquer potentiellement la pompe et les jets de fontaine. Cette caractéristique unique de blocage assure une période prolongée de fonctionnement fiable. La pompe ne doit jamais être utilisée sans son boîtier.

Afin d'empêcher la pompe d'aspirer la saleté directement du fond du bassin, nous vous recommandons de l'installer sur une surface élevée, plate et de niveau. Il est suggéré d'attacher la pompe à une base fixe en utilisant les ouvertures en forme de trous de serrure situées sous le boîtier pour permettre d'installer la pompe rapidement sur la base et de la dégager également rapidement de la base. (voir fig. 6)

Vérifier que l'information sur la plaque du fabricant (se trouvant sur la pompe) correspond à l'alimentation en électricité. L'installation électrique doit être conforme aux normes de sécurité de votre secteur. En cas de doute, demander à un électricien qualifié de faire l'installation électrique. Le cordon d'alimentation doit être protégé des objets qui peuvent l'endommager. La prise de courant doit être située dans un endroit sec, protégé et facilement accessible.



MISE EN GARDE : Toujours débrancher tous les appareils dans le bassin, de l'alimentation électrique avant d'installer, de réparer, d'entretenir ou de manipuler l'équipement dans l'eau.

IMPORTANT : Afin d'obtenir un rendement élevé de la pompe, toujours utiliser un tuyau du plus grand diamètre possible. Éviter les plis marqués dans le tuyau; des courbes graduelles sont préférables.

Installation : (voir fig. 5)

Mise en garde : Ne pas brancher la pompe avant qu'elle soit correctement et complètement installée.

- Insérer le tube de montée télescopique (9) dans l'endroit désigné du déflecteur (8).
- Insérer le jet de fontaine (11 ou 12) sur le dessus du tube de montée télescopique (9).
- Insérer le déflecteur (8) muni du tube de montée télescopique (9) et le jet de fontaine (11 ou 12) à la sortie de la pompe, en vous assurant que le raccord auto-bloquant s'enclenche avec un déclic. Prière de noter que les pompes PowerJet 400, 600, 1500, et 2200 ne sont pas munies d'un système de raccord auto-bloquant. Dans ces cas-là, insérer complètement le déflecteur dans la sortie de la pompe.
- Pour l'installation d'un filtre submersible, voir ci-dessous *Prolongement du fonctionnement de la pompe à l'aide d'un filtre submersible PowerFlo*. Si on utilise le lavage à contre-courant pour rincer périodiquement le boîtier de la pompe, voir *Lavage à contre-courant du boîtier de la pompe*.
- Déposer la pompe dans le bassin en s'assurant qu'elle est bien installée sur une plateforme solide, de niveau et élevée. Si nécessaire, employer les ouvertures en forme de trous de serrure situées sous le boîtier de la pompe pour la fixer à une base solide.
- Régler la hauteur du jet de fontaine (11 ou 12) en déplaçant le tube de montée télescopique (9) vers le haut ou vers le bas.
- Pour augmenter la hauteur des jets de fontaine, attacher un tuyau de rallonge facultatif (PT-645 vendu séparément).
- Pour utiliser la sortie supplémentaire du déflecteur afin de faire passer l'eau à une cascade, à un stérilisateur U.V. PowerClear ou à d'autre équipement, raccorder un tuyau flexible (non compris) à la sortie de côté du déflecteur à l'aide d'un raccord auto-bloquant. Si on emploie un raccord auto-bloquant universel (14), le couper à la dimension désirée avec une petite scie à métaux afin que le tuyau s'ajuste correctement et que la pompe fournisse un rendement supérieur.
- Le débit d'eau du jet de fontaine ou de la cascade peut être réglé séparément à l'aide des deux soupapes de contrôle situées sur les côtés du déflecteur (8).

Ouverture et fermeture du boîtier de la cage (fig. 7)

Les deux parties du boîtier de la pompe sont attachées à l'aide d'axes d'articulation. Employer un tournevis plat (de 5 mm à 8 mm) et procéder de la façon suivante :

Pour ouvrir le boîtier de la pompe : Tourner doucement la fixation d'1/4 de tour en sens inverse des aiguilles d'une montre pour dégager l'axe d'articulation.

Pour fermer le boîtier de la pompe : Presser doucement sur la fixation et tourner d'1/4 de tour dans le sens des aiguilles d'une montre pour verrouiller l'axe d'articulation.

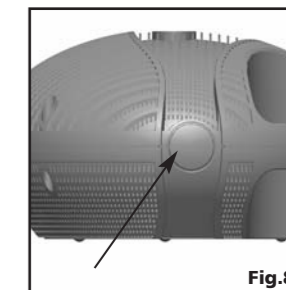
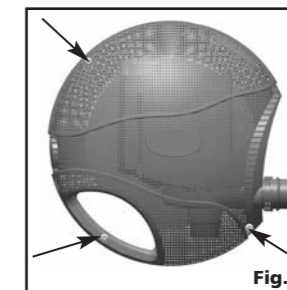
Fonctionnement de la pompe

Une fois la pompe installée, on peut la faire démarrer en insérant la fiche dans la prise de courant

On prolonge la durée de la pompe si on emploie un filtre submersible PowerFlo (vendu séparément)

Afin de réduire la fréquence de nettoyage de la pompe et de prolonger sa durée, vous pouvez raccorder le boîtier de la pompe principale à un filtre submersible Laguna (PT-500 ou PT-505). En plus de prolonger la durée de la pompe, l'installation d'un filtre améliore également la qualité de l'eau de votre bassin.

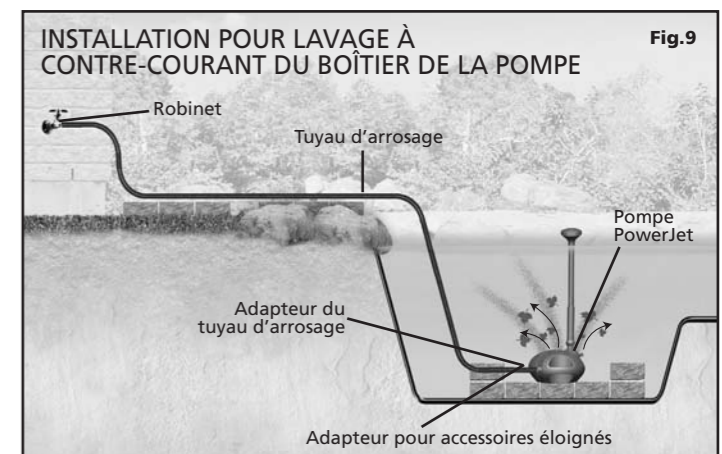
- Ouvrir le boîtier de la pompe en déverrouillant les axes d'articulation (fig. 7).
- Le boîtier de la pompe est muni d'une section préentaillée (fig. 8) qui doit être coupée avec un bon outil tranchant.
- Insérer un adaptateur pour appareils éloignés (10) dans l'ouverture préentaillée à l'arrière du boîtier de la pompe.
- Fermer le boîtier en vous assurant que les deux moitiés sont correctement alignées et emboîtées, et verrouiller ensuite avec les axes d'articulation (fig. 7).
- Raccorder le boîtier de la pompe au filtre à l'aide d'un tuyau flexible (non compris) auquel on a fixé un raccord auto-bloquant.



IMPORTANT : Pendant que la pompe fonctionne, le filtre submersible doit toujours être complètement immergé dans l'eau afin d'empêcher l'air d'être aspiré dans la pompe et de l'endommager. On doit également s'assurer que le boîtier de la pompe est solidement verrouillé avant de soulever la pompe et de la faire démarrer.

Lavage à contre-courant du boîtier de la pompe (voir fig. 9)

Le système de lavage à contre-courant vous permet de raccorder un boyau d'arrosage à la pompe afin de nettoyer en partie la saleté et les débris posés sur la surface du boîtier de la pompe. Ce système assure le rétablissement temporaire du débit d'eau dans la pompe et apporte également une eau renouvelée au bassin. Employer l'adaptateur pour appareils éloignés (10) et l'adaptateur du boyau d'arrosage (13) pour raccorder un boyau d'arrosage au boîtier de la pompe. Raccorder l'autre extrémité du boyau à un robinet. Débrancher la pompe de l'alimentation principale. Faire couler l'eau dans le boîtier de la pompe pendant au moins 1 minute. Rétablir le courant à la pompe. Répéter si nécessaire.



NOTE : Ajouter une quantité appropriée du traitement éliminateur de chlore Eau-Vive Laguna (vendu séparément PT-860 et PT-863) au moment d'ajouter l'eau du robinet au bassin.

Entretien de la pompe

MISE EN GARDE : Toujours débrancher tous les appareils dans le bassin de l'alimentation électrique avant d'installer, de réparer, d'entretenir ou de manipuler l'équipement dans l'eau.

Pour éviter de raccourcir la durée de fonctionnement de la pompe, observer cette méthode simple d'entretien :

- Une fois par semaine, vérifier que le rendement de la pompe est satisfaisant. Si on décèle une baisse de rendement de la pompe (une diminution du débit d'eau au jet de fontaine ou à la cascade), nettoyer d'abord le boîtier de la pompe, le jet de fontaine, le tuyau et le déflecteur. Si le débit n'est toujours pas complètement rétabli, nettoyer la couronne, le puits de la couronne et le couvercle de la couronne (voir méthode d'entretien ci-dessous)
- Le boîtier de la pompe doit être nettoyé au moins une fois par mois

- Lorsque c'est nécessaire, ou au moins une fois par année, nettoyer le moteur de la pompe complètement (couronne, puits de la couronne et couvercle de la couronne) et s'assurer d'aucun dépôt calcaire qui pourrait compromettre le fonctionnement de la pompe
- Afin de garder la pompe en bon état, toujours remplacer les pièces usées
- Le moteur de la pompe n'a aucune pièce utilisable. Si le moteur ou le cordon d'alimentation sont endommagés, jeter la pompe
- En cas de doute, consulter votre détaillant Laguna ou téléphoner au service à la clientèle approprié à l'aide de la liste au dos de ce manuel

Nettoyage du boîtier de la pompe

Le boîtier de la pompe a été principalement conçu pour éloigner les particules solides (ou solides) qui pourraient potentiellement bloquer la pompe et le jet de fontaine. Il est donc normal que ces solides s'accumulent progressivement sur la surface extérieure du boîtier, et avec le temps, ils pourraient diminuer le rendement de la pompe. Afin de nettoyer le boîtier et de rétablir le rendement de la pompe à sa capacité originale, il faut procéder de la façon suivante :

- Sans retirer la pompe du bassin, brosser les débris de la surface extérieure du boîtier à l'aide d'un balai ou d'un outil semblable. Pour de meilleurs résultats, brosser le boîtier le long des stries;
- Si le système de lavage à contre-courant a été mis en place (voir lavage à contre-courant du boîtier de la pompe), introduire de l'eau du robinet dans la pompe pour au moins 1 minute sans enlever la pompe du bassin;
- Retirer le boîtier de la pompe du bassin, déverrouiller les axes d'articulation (fig. 7) et ôter la partie supérieure du boîtier. Nettoyer toutes les pièces avec de l'eau d'un boyau d'arrosage. Réassembler toutes les pièces avec soin.

S'assurer que le boîtier de la pompe est bien verrouillé et que le cordon est bien à sa place avant la mise en route de la pompe ou toute autre manipulation (Voir Fig. 10).

Nettoyage de la couronne, du puits de la couronne et du couvercle de la couronne du moteur de la pompe

ATTENTION : Le moteur de la pompe comprend un arbre de céramique de qualité supérieure qui fournit un rendement durable et fiable lorsqu'il est bien entretenu. Cependant, on doit manipuler l'arbre avec grand soin durant l'entretien. Éviter de l'échapper ou de le presser trop fort afin d'éviter le bris ou les fissures qui le feraient claquer pendant qu'il fonctionne.

Sortir la pompe du bassin, déverrouiller les axes d'articulation et enlever la moitié supérieure du boîtier. Libérer la pompe de la moitié inférieure du boîtier.

Observer les instructions suivantes de nettoyage selon le modèle de la pompe :

PowerJet 400/1500 et 600/2200 (fig. 1)

- 1) Enlever le couvercle du moteur et retirer ensuite le couvercle de la couronne en tournant et en tirant (4).
- 2) Ôter la couronne (3).
- 3) Si nécessaire, détacher l'arbre de couronne (3A) à l'aide de l'outil fourni (A-17015) (fig. 2).
- 4) Nettoyer toutes les pièces dans de l'eau propre seulement avec une petite brosse non abrasive, si nécessaire. NE PAS UTILISER DE DÉTERGENTS NI D'AUTRES NETTOYANTS CHIMIQUES qui pourraient endommager la pompe et polluer le bassin.
- 5) Réassembler toutes les pièces avec soin (Voir Fig. 10).

PowerJet 900/3500 et 1300/4500 (fig. 3)

- 1) À l'aide d'un tournevis étoilé, dévisser les quatre vis sur le couvercle de la couronne (4) et le détacher.
- 2) Sortir la couronne (3).
- 3) Nettoyer toutes les pièces dans de l'eau propre seulement avec une petite brosse non abrasive, si nécessaire. NE PAS UTILISER DE DÉTERGENTS NI D'AUTRES NETTOYANTS CHIMIQUES qui pourraient endommager la pompe et polluer le bassin.
- 4) Réassembler toutes les pièces avec soin (Voir Fig. 10).

PowerJet 1500/6000 (fig. 4)

- 1) À l'aide d'un tournevis étoilé, dévisser les quatre vis sur le couvercle de la couronne (4) et le détacher.
- 2) Sortir la couronne (3) en saisissant le rebord. Par cette opération, le joint d'étanchéité (2) sortira de son assise.
- 3) Nettoyer toutes les pièces dans de l'eau propre seulement avec une petite brosse non abrasive, si nécessaire. NE PAS UTILISER DE DÉTERGENTS NI D'AUTRES NETTOYANTS CHIMIQUES qui pourraient endommager la pompe et polluer le bassin.

POMPE POWERJET	400/1500 PT-324		600/2200 PT-326		900/3500 PT-328		1300/4500 PT-330		1500/6000 PT-332		2000/7500 PT-334		2400/9000 PT-336		2900/11000 PT-338		
	Tension (V)	120	230-240	120	230-240	120	230-240	120	230-240	120	230-240	120	230-240	120	230-240	120	230-240
Fréquence (Hz)	60	50	60	50	60	50	60	50	60	50	60	50	60	50	60	50	
Puissance (W)	19	21	32	32	65	55	72	55	100	80	100	100	100	100	130	125	
Profondeur max.	6'6"/2 m		6'6"/2 m		6'6"/2 m		6'6"/2 m		6'6"/2 m		6'6"/2 m		6'6"/2 m		6'6"/2 m		
Débit max.	GAL. U.S./H	383	383	582	582	899	977	1281	1255	1585	1558	1981	1981	2378	2378	2853	2800
	L/H	1450	1450	2200	2200	3400	3700	4850	4750	6000	5900	7500	7500	9000	9000	10800	10600
Haut. max. de la colonne	pi	5'7"	5'7"	5'10"	5'10"	6'4"	6'2"	8'6"	8'4"	13'5"	11'6"	12'2"	12'2"	12'2"	12'2"	14'9"	14'9"
	m	1.7	1.7	1.8	1.8	1.95	1.9	2.6	2.45	4.10	3.50	3.7	3.7	3.7	3.7	4.5	4.5
Degré de protection	IPX8		IPX8		IPX8		IPX8		IPX8		IPX8		IPX8		IPX8		

- 4) Réassembler toutes les pièces avec soin (Voir Fig. 10) en plaçant d'abord la couronne et ensuite le joint d'étanchéité dans leur endroit désigné. S'assurer que le coussinet, la bague et le joint d'étanchéité de la couronne sont correctement placés dans le fond du puits de la couronne.

PowerJet 2000/7500, 2400/9000 et 2900/11000 (fig. 4)

- 1) À l'aide d'un tournevis étoilé, dévisser les quatre vis sur le couvercle de la couronne (4) et le détacher.
- 2) À l'aide d'un tournevis à tête plate, soulever la couronne (3) avec soin à l'extérieur.
- 3) Nettoyer toutes les pièces dans de l'eau propre seulement avec une petite brosse non abrasive, si nécessaire. NE PAS UTILISER DE DÉTERGENTS NI D'AUTRES NETTOYANTS CHIMIQUES qui pourraient endommager la pompe et polluer le bassin.
- 4) Réassembler toutes les pièces avec soin (Voir Fig. 10) en s'assurant que le coussinet, la bague et le joint d'étanchéité de la couronne sont correctement placés dans le fond du puits de la couronne.

Rechange de la bague et du joint d'étanchéité (Emballage de rechange non inclus. Pièce # PT-466).

Pour les pompes PowerJet 1500/6000, 2000/7500, 2400/9000 et 2900/11000 seulement.

Même si la bague est fabriquée à l'aide d'un matériau très résistant, elle peut s'user dans certaines conditions. Pour cette raison, il est recommandé de la remplacer chaque fois que la couronne est remplacée. Suivre les instructions fournies avec l'emballage de pièces de rechange. Une fois la bague et le joint d'étanchéité remplacés, réassembler toutes les pièces avec soin (Voir Fig. 10).

Replacer la pompe à sa place originale en la déposant dans la partie inférieure du boîtier (fig. 10). Fixer le cordon électrique à la partie inférieure du boîtier en s'assurant que le cordon est bien à sa place. Fermer le boîtier de la pompe en emboîtant sa moitié supérieure dans sa moitié inférieure **dans les assises prédéterminées du côté opposé à la poignée**. Fermer ensuite les deux moitiés ensemble en vous assurant qu'elles sont correctement alignées et qu'il n'y a pas d'ouvertures. Enfin, verrouiller les deux moitiés à l'aide des axes d'articulation.

S'assurer que le boîtier de la pompe est bien verrouillé et que le cordon est bien à sa place avant la mise en route de la pompe ou toute autre manipulation.



Fig. 10

DÉPANNAGE

FAIBLE DÉBIT PROVENANT DE LA POMPE

- Vérifier que le boîtier de la pompe est propre
- Examiner le tuyau en cas de blocage
- Surveiller que la pompe ne contient ni saleté ni débris

AUCUN DÉBIT EN PROVENANCE DE LA POMPE

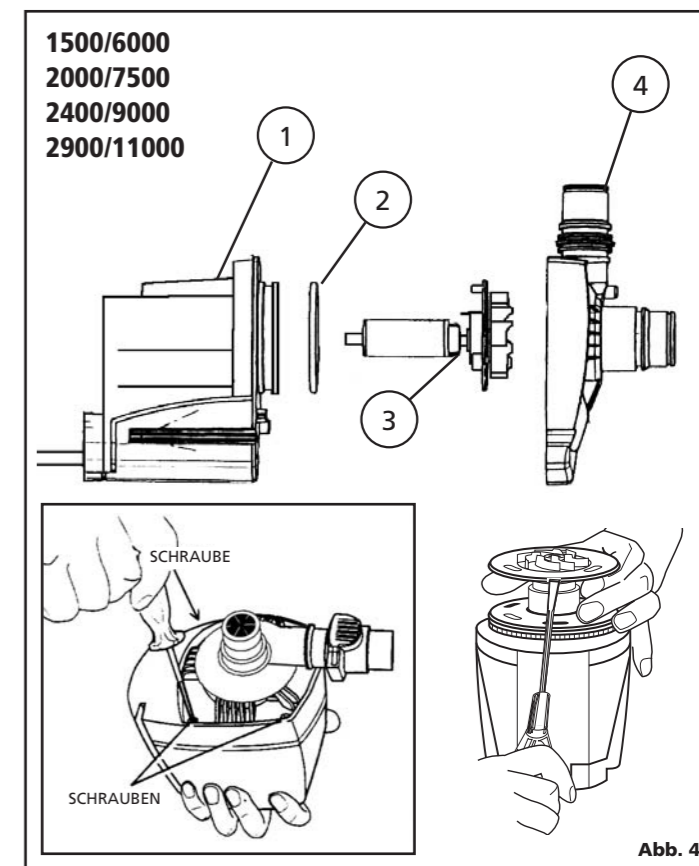
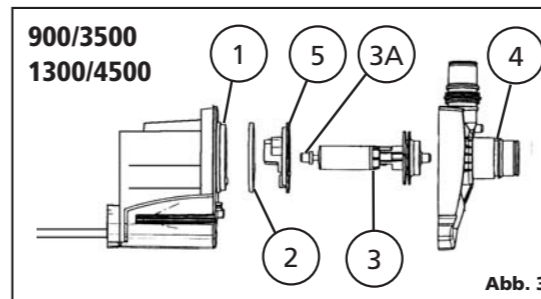
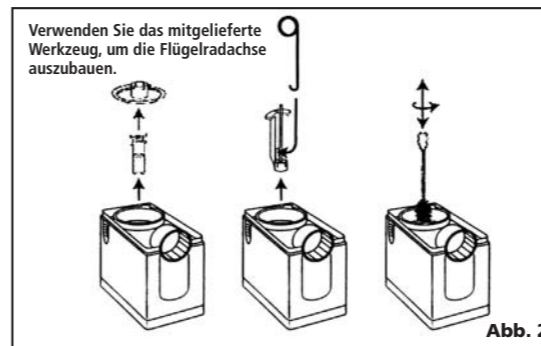
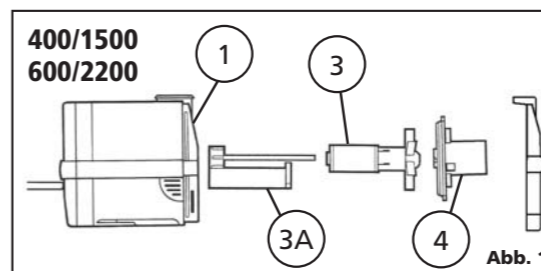
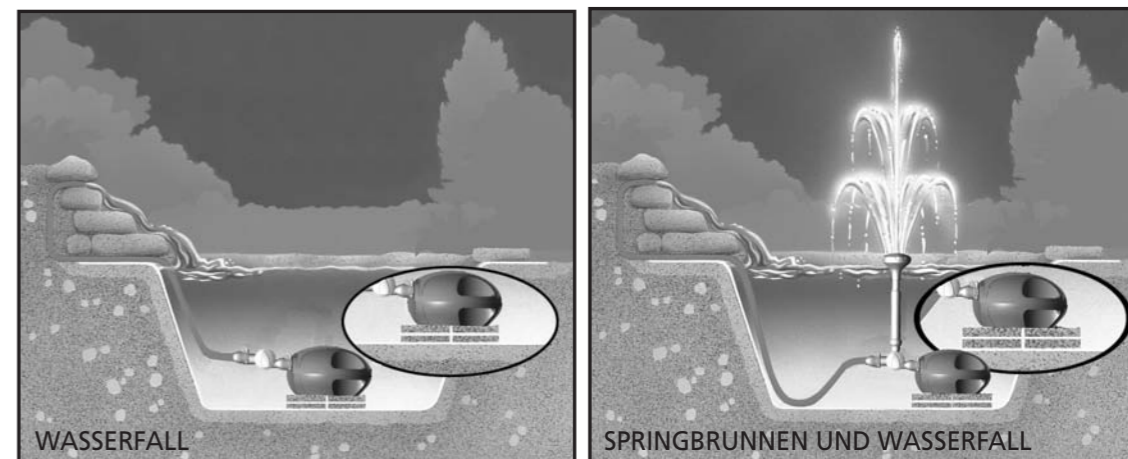
- Vérifier l'alimentation en électricité
- Examiner l'installation électrique
- Vérifier que la fiche est correctement branchée à la prise de courant
- Vérifier que le boîtier de la pompe est propre
- Examiner le tuyau en cas de blocage
- Surveiller que la pompe ne contient ni saleté ni débris
- Vérifier que la pompe ou le filtre PowerFlo sont complètement immergés dans l'eau

MAUVAIS RENDEMENT DE LA POMPE

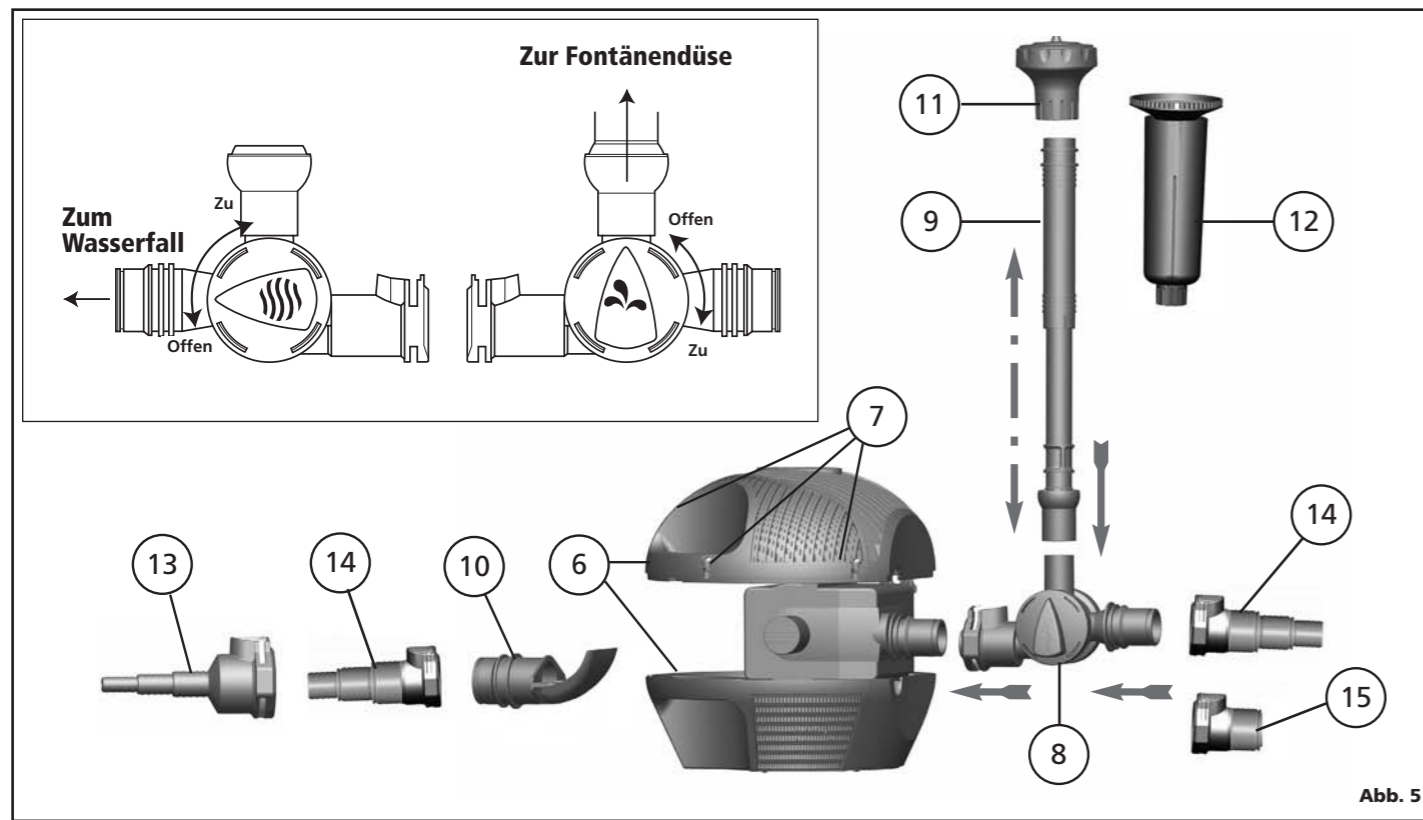
- Vérifier que le jet de fontaine est propre

Installationsbeispiele

Achten Sie darauf, dass die Pumpe erhöht gelagert ist, um ein Verstopfen des Pumpenkorbs vermeiden zu helfen.



Ersatzteile	400/1500 PT-324	600/2200 PT-326	900/3500 PT-328	1300/4500 PT-330	1500/6000 PT-332	2000/7500 PT-334	2400/9000 PT-336	2900/11000 PT-338
1 Motor	PT-380	PT-382	PT-384	PT-386	PT-388	PT-390	PT-392	PT-394
2 Dichtungsring	-	-	PT-762	PT-762	PT-763	PT-764	PT-764	PT-764
3 Flügelradbaugruppe	PT-454	PT-455	PT-457	PT-458	PT-459	PT-461	PT-461	PT-465
3A Flügelradachse	PT-759	PT-759	PT-761	PT-761	-	-	-	-
4 Flügelradabdeckung	PT-736	PT-737	PT-738	PT-738	PT-733	PT-735	PT-739	PT-739
5 Flügelradhalterung	-	-	PT-768	PT-768	-	-	-	-
6 Pumpenkorb	PT-440	PT-440	PT-441	PT-441	PT-442	PT-443	PT-443	PT-443
7 Drehbare Befestigungsstifte	PT-447	PT-447	PT-447	PT-447	PT-447	PT-447	PT-447	PT-447
8 Abzweigventil	PT-626	PT-626	PT-627	PT-627	PT-627	PT-628	PT-628	PT-628
9 Steigrohr	PT-616	PT-616	PT-617	PT-617	PT-617	PT-617	PT-617	PT-617
10 Fernadapter	PT-609	PT-609	PT-609	PT-609	PT-609	PT-609	PT-609	PT-609
11 Austrittsdüse (dreistufige Kaskadenfontäne)	PT-652 / 651	PT-652	PT-652	PT-652	PT-652	PT-654	PT-654	PT-654
12 Austrittsdüse (Glockenfontäne)	PT-662	PT-662	PT-662	PT-662	PT-662	PT-664	PT-664	PT-664
13 Schlauchadapter (10, 13, 16 mm)	PT-637	PT-637	PT-637	PT-637	PT-637	PT-637	PT-637	PT-637
14 Universal-Schnellverbinder (19, 25, 32 mm)	PT-640	PT-640	PT-640 (x2)	PT-640 (x2)	PT-640 (x2)	PT-640 (x2)	PT-640 (x2)	PT-640 (x2)
15 „Klick & Fertig“-Schnappverbinder (25 mm)	PT-635	PT-635	-	-	-	-	-	-



HOCHLEISTUNGSPUMPENSATZ FÜR SPRINGBRUNNEN UND WASSERFÄLLE

Nur zur Verwendung als Tauchpumpe in Süßwasser

Lesen Sie diese Hinweise vor Montage und Inbetriebnahme sorgfältig durch.

WICHTIGE SICHERHEITSHINWEISE

ACHTUNG! Um Verletzungen zu vermeiden, sind u.a. die folgenden grundlegenden Sicherheitsmaßnahmen zu beachten:

1. LESEN UND BEFOLGEN SIE ALLE SICHERHEITSHINWEISE

sowie alle wichtigen auf dem Gerät angebrachten Hinweise, bevor Sie die Pumpe in Betrieb nehmen. Die Nichtbeachtung dieser Hinweise kann den Verlust von Fischen bzw. Schäden am Gerät nach sich ziehen.

- GEFAHR!** Da elektronisches Teichzubehör im bzw. am Wasser eingesetzt wird, ist mit besonderer Sorgfalt vorzugehen, um die Möglichkeit eines Stromschlags auszuschließen. Sollte eine der folgenden Situationen auftreten, versuchen Sie nicht, die entsprechenden Reparaturen selbst durchzuführen. Sofern noch eine Garantie besteht, bringen Sie das Gerät in das Geschäft zurück, wo Sie es gekauft haben.
- Falls das Gerät irgendwelche Anzeichen eines ungewöhnlichen Wasseraustritts aufweist oder falls die Fehlerstromschutzeinrichtung (GFCI-Unterbrecher) sich ausschaltet, ziehen Sie den Netzstecker und entfernen Sie die Pumpe aus dem Wasser.
- Überprüfen Sie das Gerät nach der Montage sorgfältig. Es sollte nicht an das Stromnetz angeschlossen werden, falls Wasser auf Teile gelangt ist, für die dies nicht vorgesehen ist.
- Nehmen Sie kein Gerät in Betrieb, an dem Kabel oder Netzstecker Beschädigungen aufweisen, an dem Betriebsstörungen aufgetreten sind oder das in irgendeiner Weise starken Erschütterungen (etwa durch Herunterfallen des Geräts) ausgesetzt oder anderweitig beschädigt wurde. Das Stromkabel an diesem Gerät lässt sich nicht ersetzen. Bei Beschädigung des Kabels ist das Gerät zu entsorgen. Niemals Kabel durchschneiden.
- Bei Geräten, die von oder in der Nähe von Kindern verwendet werden, ist eine sorgfältige Beaufsichtigung erforderlich.
- Um Verletzungen zu vermeiden, berühren Sie keine sich bewegenden oder heißen Teile.
- ACHTUNG:** Vor Eintauchen der Hände ins Wasser, An- oder Abbau von Teilen oder während der Montage, Wartung oder Bearbeitung unbedingt Netzstecker aller Geräte innerhalb des Teiches ziehen. Ziehen Sie immer den Netzstecker, bevor Sie das Gerät ins Wasser eintauchen bzw. aus dem Wasser herausnehmen. Nie am Kabel ziehen, um den Netzstecker aus der Steckdose zu ziehen, sondern Netzstecker umfassen und daran ziehen. Netzstecker ziehen, wenn Geräte nicht in Benutzung sind. Nie die Pumpe am Kabel anheben. Verwenden Sie den vorgesehenen Griff.
- ACHTUNG:** DIES IST EINE TEICH-PUMPE. Diese Pumpe wurde ausschließlich für die Verwendung mit Wasser getestet. Verwenden Sie diese Pumpe nicht für Zwecke, für die sie nicht vorgesehen ist (d.h. verwenden Sie sie nicht in Schwimmbecken, Badezimmern, usw.). Die Verwendung von nicht durch den Hersteller empfohlenen oder verkauften Anbauteilen kann die Sicherheit beeinträchtigen.

- Verwenden Sie diese Pumpe nicht in Schwimmbecken oder anderen Situationen, in denen sich Menschen im Wasser aufhalten.
 - Diese Pumpe eignet sich für die Verwendung in Wassertemperaturen bis zu 35 °C.
 - Verwenden Sie diese Pumpe nicht für brennbare oder trinkbare Flüssigkeiten.
- Montieren oder lagern Sie das Gerät nicht an Orten, wo es dem Wetter oder Temperaturen von unter null Grad ausgesetzt ist. Entfernen Sie die Pumpe und lagern Sie sie an einem geschützten Ort. Schützen Sie die Pumpe vor direkter Sonneneinstrahlung. Das Material zeichnet sich durch eine hohe Widerstandsfähigkeit gegenüber Sonnenlicht aus, aber direkte Sonneneinstrahlung kann den Motor überhitzen und den Alterungsprozess der Isolierung beschleunigen.
 - WICHTIG:** Diese Pumpe darf erst in Betrieb genommen werden, wenn die Pumpeneinheit innerhalb des Pumpenkorb ordnungsgemäß verschlossen ist und nachdem Sie überprüft haben, dass der Korb mit den in der oberen Korbhälfte befindlichen Feststellschrauben sicher befestigt wurde. Vergewissern Sie sich vor Inbetriebnahme, dass die Pumpe sicher montiert ist. Die Pumpe darf nicht trocken laufen. Die Pumpe ist vollständig ins Wasser einzutauchen. Diese Pumpe darf nie außerhalb des Wassers betrieben werden.
 - Falls die Verwendung eines Verlängerungskabels erforderlich ist, achten Sie darauf, dass die Verbindung wasserdicht und staubdicht ist. Verwenden Sie ein Kabel mit einer angemessenen Leistungsstärke. Kabel, die auf weniger Ampere oder Watt ausgelegt sind als das Gerät, können überhitzen. Das Kabel sollte so platziert werden, dass ein Darüberstolpern oder Daranziehen ausgeschlossen ist. Der Anschluss an das Stromnetz sollte durch einen entsprechend qualifizierten Elektromonteur durchgeführt werden.
 - WICHTIG:** Verwenden Sie für den Anschluss an das Stromnetz eine Fehlerstromschutzeinrichtung (RCD bzw. GFCI-Unterbrecher) mit einem Bemessungsauslösestrom von maximal 30 mA.
 - ACHTUNG:** Gefahr eines Stromschlags! Diese Pumpe wird mit einem Schukostecker geliefert. Um die Gefahr eines Stromschlags zu verringern:
 - Stellen Sie sicher, dass sie ausschließlich mit einer ordnungsgemäß geerdeten Schukosteckdose verbunden wird.

HEBEN SIE DIESE HINWEISE ZUR SPÄTEREN EINSICHTNAHME AUF

Sicherheit und Funktionstüchtigkeit der Pumpe sind nur bei gewissenhafter Einhaltung dieser Montage-, Elektro- und Wartungshinweise gewährleistet.

HINWEISE ZUR MONTAGE DER PUMPE

Allgemeine Informationen

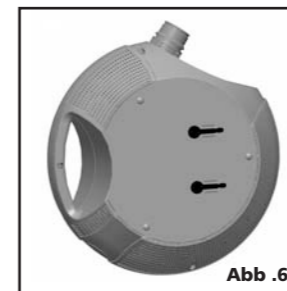
PowerJet Pumpen sind dafür konzipiert, eine kraftvolle Wasserzirkulation zu erzeugen, wie sie Voraussetzung für Springbrunnen und Wasserfälle ist. Fließendes Wasser ist nicht nur ein angenehmer Anblick, sondern erhöht außerdem die Sauerstoffaufnahme des

Teichwassers und gewährleistet so förderliche Lebensbedingungen für Fische und Pflanzen. Die Pumpe ist ausschließlich auf die Umwälzung von klarem Wasser ausgelegt und ist kein Teichfilter.

Der Pumpenmotor ist innerhalb eines einzigartig geformten Korbs angebracht, der dafür konzipiert wurde, Feststoffe fernzuhalten, die sonst Pumpe und Fontänendüsen verstopfen könnten. Diese einzigartige Blockierfunktion verlängert die zuverlässige Betriebsdauer. Die Pumpe darf nie ohne ihren Korb verwendet werden.

Um zu verhindern, dass die Pumpe Schmutz direkt vom Teichboden ansaugt, empfehlen wir, dass Sie sie erhöht auf einer ebenen, flachen Fläche montieren. Es wird empfohlen, die Pumpe mittels der schlüsellochförmigen Schlitze im Korbboden auf einem festen Sockel zu befestigen. Der Korbboden ist so geformt, dass ein schnelles Befestigen am bzw. Lösen vom Sockel ermöglicht wird (siehe Abb. 6).

Vergewissern Sie sich, dass die Daten auf dem (auf der Pumpe angebrachten) Typenschild mit denen der Stromversorgung übereinstimmen. Die elektrische Installation und Verkabelung muss den Sicherheitsvorschriften Ihrer Gegend entsprechen. Falls Sie sich unsicher sind, beauftragen Sie einen qualifizierten Elektriker mit der Verkabelung. Das Stromkabel ist gegen jede Art von Gegenständen, die es beschädigen könnten, abzuschirmen. Die Steckdose muss an einem trockenen, geschützten und leicht erreichbaren Ort angebracht sein.



ACHTUNG! Vor Montage, Reparatur, Wartung oder Bearbeitung des im Wasser befindlichen Geräts sind unbedingt die Netzstecker aller Geräte innerhalb des Teiches zu ziehen.

Wichtig: Um einen optimalen Pumpenbetrieb zu gewährleisten, verwenden Sie jeweils einen Schlauch mit größtmöglichem Innendurchmesser. Vermeiden Sie scharfe Schlauchkrümmungen; sanfte Biegungen sind vorzuziehen.

Montage: (siehe Abb. 5)

Achtung! Pumpe erst nach vollständiger und ordnungsgemäßer Montage ans Stromnetz anschließen.

- Stecken Sie das Teleskopsteigrohr (9) in die entsprechende Aufnahmehalterung des Abzweigventils (8).
- Stecken Sie die Fontänendüse (11 oder 12) oben auf das Teleskopsteigrohr (9).
- Stecken Sie das Abzweigventil (8) komplett mit Teleskopsteigrohr (9) und Fontänendüse (11 oder 12) auf die Austrittsöffnung der Pumpe. Vergewissern Sie sich dabei, dass der „Klick & Fertig“-Schnappverbinder richtig einrastet.
- Falls Sie einen Unterwasserfilter installieren, beachten Sie bitte den nachfolgenden Abschnitt „Verlängerung der Lebensdauer der Pumpe durch Einsatz eines PowerFlo Unterwasserfilters“. Falls Sie die Rückspülfunktion verwenden, um von Zeit zu Zeit den Pumpenkorb auszuspülen, beachten Sie bitte den Absatz „Spülen des Pumpenkorb“.
- Platzieren Sie die Pumpe im Teich und vergewissern Sie sich, dass sie vollständig eingetaucht und sicher auf einer festen, ebenen und erhöhten Plattform montiert ist. Falls erforderlich, verwenden Sie die schlüsellochförmigen Schlitze am Pumpenboden, um das Gerät auf einem sicheren Sockel zu befestigen. Beim Befestigen bzw. Lösen der Pumpe ist besondere Sorgfalt erforderlich.
- Sie können die Höhe der Fontänendüse (11 oder 12) anpassen, indem Sie das Teleskopsteigrohr (9) aufwärts oder abwärts bewegen.
- Um die Höhe der Fontänendüsen weiter zu vergrößern, können Sie ein zusätzliches Verlängerungsrohr anbringen (nicht im Lieferumfang enthalten; Art.-Nr. PT-645). Nicht anwendbar auf Modelle 400/1500 und 600/2200.
- Um die zusätzliche Austrittsöffnung des Abzweigventils dafür zu nutzen, Wasser an einen Wasserfall, PowerClear UV-Sterilisator oder ein anderes Gerät umzuleiten, bringen Sie mit Hilfe eines „Klick & Fertig“-Schnappverbinders einen flexiblen Schlauch (nicht im Lieferumfang enthalten) am Seitenaustritt des Abzweigventils an. Falls Sie einen „Klick & Fertig“ Universal-Schnappverbinder (14) verwenden, schneiden Sie ihn mit einer kleinen Metallsäge auf die erforderliche Größe zurecht, damit der Schlauch richtig passt und Sie die bestmögliche Pumpleistung erzielen.
- Der Wasserzufluss zur Fontänendüse und zur Austrittsöffnung für den Wasserfall lässt sich separat mittels der beiden an den Seiten des Abzweigventils (8) befindlichen Kontrollventile regeln.

Öffnen und Schließen des Pumpenkorb (siehe Abb. 7)

Die obere und die untere Hälfte des Pumpenkorb sind durch drehbare Befestigungsstifte miteinander verbunden. Verwenden Sie einen normalen Schlitzschraubendreher (5 mm bis 8 mm), um Folgendes zu tun:

Um den Pumpenkorb zu öffnen, drehen Sie den Befestigungsstift um 90° entgegen dem Uhrzeigersinn, um den Mechanismus zu entriegeln.

Um den Pumpenkorb zu schließen, drücken Sie den Befestigungsstift behutsam nach unten und drehen Sie ihn um 90° im Uhrzeigersinn, um den Mechanismus zu verriegeln.

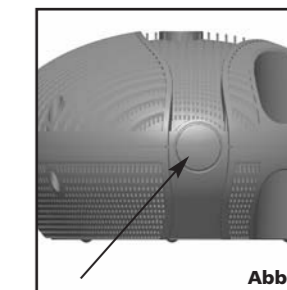
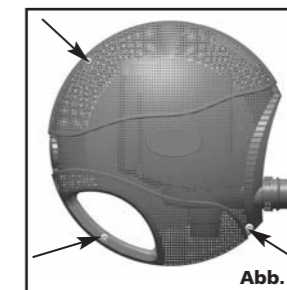
Pumpenbetrieb

Nachdem Sie die Pumpe vollständig installiert haben, können Sie sie in Betrieb nehmen, indem Sie den Netzstecker in die Steckdose stecken.

Verlängerung der Lebensdauer der Pumpe durch Einsatz eines PowerFlo Unterwasserfilters (nicht im Lieferumfang enthalten)

Um die Reinigungshäufigkeit zu verringern und die Lebensdauer der Pumpe zu erhöhen, können Sie den Hauptpumpenkorb an einen Laguna Unterwasserfilter (PT-500 oder PT-505) anschließen. Die Installation eines Filters verlängert nicht nur die Lebensdauer der Pumpe, sondern verbessert außerdem die Wasserqualität Ihres Teiches.

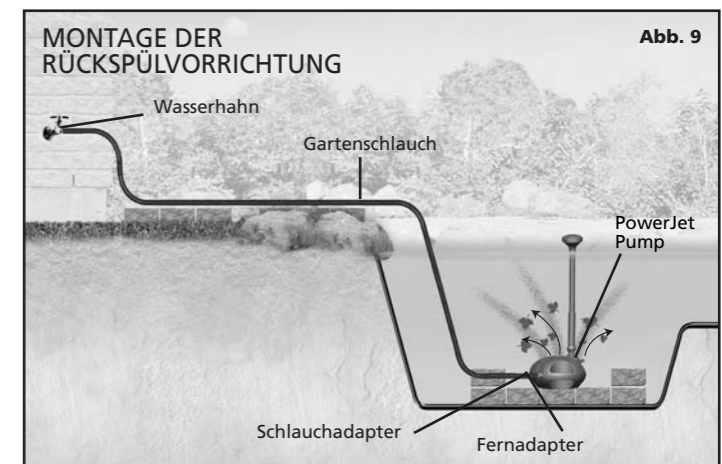
- Zum Öffnen des Pumpenkorb entriegeln Sie die drehbaren Befestigungsstifte (Abb. 7).
- Der Pumpenkorb verfügt über einen vorgekerbten Bereich (Abb. 8), der mit einem entsprechenden Schneidewerkzeug auszuschneiden ist.
- Führen Sie einen Fernadapter (10) in die so geschaffene Öffnung auf der Rückseite des Pumpenkorb ein.
- Schließen Sie den Korb und achten Sie dabei darauf, dass beide Hälften ordnungsgemäß auf Deckung gebracht und miteinander verkuppelt sind, und verriegeln Sie diese dann mit den drehbaren Befestigungsstiften (Abb. 7) am Gerät.
- Verbinden Sie den Pumpenkorb mittels des an den „Klick & Fertig“-Schlauchverbinders anzuschließenden flexiblen Schlauchs (nicht im Lieferumfang enthalten) mit dem Filter.



Wichtig: Während des Pumpenbetriebs muss der Unterwasserfilter immer vollständig in Wasser eingetaucht sein, um zu vermeiden, dass Luft in die Pumpe gesaugt wird und diese beschädigt. Achten Sie außerdem darauf, dass der Pumpenkorb sicher verschraubt ist, bevor Sie die Pumpe hochheben oder in Betrieb nehmen.

Spülen des Pumpenkorb (siehe Abb. 9)

Das Rückspülsystem ermöglicht Ihnen den Anschluss eines Gartenschlauchs, um Schmutz und Verunreinigungen, die sich auf der Oberfläche des Pumpenkorb abgelagert haben, teilweise zu entfernen. Diese Funktion gewährleistet die zeitweise Wiederherstellung des Wasserflusses durch die Pumpe und führt dem Teich außerdem neues Wasser zu. Verwenden Sie den Fernadapter (10) und den Gartenschlauchadapter (13), um einen Gartenschlauch an den Pumpenkorb anzuschließen. Schließen Sie das andere Ende des Schlauches an einen Wasserhahn an. Ziehen Sie den Netzstecker der Pumpe. Lassen Sie mindestens eine Minute lang das Wasser laufen. Schließen Sie die Pumpe wieder ans Stromnetz an. Falls erforderlich, wiederholen Sie den Vorgang.



ANMERKUNG: Bei Zuführung von Leitungswasser geben Sie eine geeignete Menge von Laguna Water Prep Dechlorinator (nicht im Lieferumfang enthalten; Art.-Nr. PT-860 bzw. PT-863) in den Teich.

Wartung der Pumpe

ACHTUNG! Vor Montage, Reparatur, Wartung oder Bearbeitung des im Wasser befindlichen Geräts sind unbedingt die Netzstecker aller Geräte innerhalb des Teiches zu ziehen.

Um eine maximale Lebensdauer Ihrer Pumpe zu gewährleisten, führen Sie die folgenden einfachen Wartungsmaßnahmen durch:

- Vergewissern Sie sich einmal pro Woche, dass die Pumpenleistung zufrieden stellend ist. Falls Sie eine Verringerung der Pumpenleistung feststellen (eine Abnahme des Wasserflusses zur Fontänendüse oder zum Wasserfall), reinigen Sie als Erstes den Pumpenkorb, die Fontänendüse, Schläuche und Abzweigventil. Falls der Wasserfluss danach noch immer nicht vollständig wieder hergestellt ist, reinigen Sie das Flügelrad, die Flügelradkammer und die Flügelradabdeckung (s.u. Wartungsverfahren).

- Der Pumpenkorb ist mindestens einmal pro Monat zu reinigen.
- Wenn erforderlich, zumindest jedoch einmal pro Jahr reinigen Sie den Pumpenmotor vollständig (Flügelrad, Flügelradkammer und Flügelradabdeckung) und vergewissern Sie sich, dass sich keine Kalkablagerungen aufgebaut haben. Kalkablagerungen können den Pumpenbetrieb stark beeinträchtigen.
- Um den ordnungsgemäßen Betriebszustand der Pumpe zu erhalten, ersetzen Sie stets alle Teile, die Verschleißerscheinungen aufweisen.
- Der Pumpenmotor hat keine durch den Anwender zu wartenden Teile. Bei Beschädigung von Motor oder Stromkabel ist die Pumpe zu entsorgen.
- Ziehen Sie im Zweifelsfall Ihren Laguna Fachhändler zurate oder rufen Sie die auf der Rückseite dieser Broschüre angegebene zuständige Kundendienstabteilung an.

Reinigung des Pumpenkorb

Hauptzweck des Pumpenkorb ist es, zu vermeiden, dass Festpartikel (oder Feststoffe) in die Pumpe gelangen und möglicherweise die Pumpe und die Fontänendüse verstopfen. Es ist deshalb normal, dass sich solche Feststoffe allmählich auf der Außenseite des Korbs ansammeln und im Laufe der Zeit die Pumpenleistung verringern. Um den Pumpenkorb zu reinigen und die Pumpenleistung auf ihrem ursprünglichen Niveau wieder herzustellen, unternehmen Sie die folgenden Schritte:

- Bürsten Sie die Verschmutzungen mit einem Besen oder einem ähnlichen Hilfsmittel von der Außenseite des Pumpenkorb ab, ohne dabei die Pumpe aus dem Teich zu entnehmen. Die besten Ergebnisse erzielen Sie, wenn Sie entlang der Rippen des Pumpenkorb bürsten.
- Falls Sie das Rückspülsystem eingerichtet haben (siehe „Spülen des Pumpenkorb“), lassen Sie mindestens 30 Sekunden lang Wasser in die Pumpe laufen, ohne die Pumpe aus dem Teich zu entnehmen.
- Entnehmen Sie die Pumpe aus dem Teich, lösen Sie die drehbaren Befestigungsstifte (Abb. 7) und entfernen Sie die obere Hälfte des Pumpenkorb. Reinigen Sie alle Bauteile unter fließendem Wasser. Setzen Sie alle Bauteile wieder sorgfältig zusammen.

Bitte sicherstellen, daß der Pumpenkorb ganz geschlossen ist und das Netzkabel richtig in Position sitzt, bevor die Pumpe hochgehoben oder angeschaltet wird (Schnitt-Ansicht Abb. 10).

Reinigung des Flügelrads, der Flügelradkammer und der Flügelradabdeckung des Pumpenmotors

ACHTUNG: Der Pumpenmotor enthält eine qualitativ hochwertige Keramikachse, die bei ordnungsgemäßer Wartung über lange Zeit einen zuverlässigen Betrieb gewährleistet. Der Umgang mit der Keramikachse während der Wartung erfordert jedoch extreme Sorgfalt. Vermeiden Sie es, die Achse fallen zu lassen oder sie zu starkem Druck auszusetzen, da dies zu Sprüngen oder Haarrissen führen kann, die einen Achsbruch während des Betriebs zur Folge haben können. Entnehmen Sie die Pumpe aus dem Teich, lösen Sie die drehbaren Befestigungsstifte (Abb. 7) und entfernen Sie die obere Hälfte des Pumpenkorb. Nehmen Sie die untere Hälfte des Pumpenkorb von der Pumpe ab, indem Sie die beiden Schrauben der Zugentlastung des Stromkabels entfernen. Befolgen Sie die Reinigungshinweise für das entsprechende Pumpenmodell:

PowerJet 400/1500 und 600/2200 (Abb. 1)

- 1) Entfernen Sie zunächst die Motorabdeckung. Entfernen Sie dann die Flügelradabdeckung (4), indem Sie sie seitlich drehen und abziehen.
- 2) Entfernen Sie die Flügelradbaugruppe (3).
- 3) Falls erforderlich, entfernen Sie die Flügelradachse (3A) mit Hilfe des mitgelieferten Werkzeugs (A-17015) (Abb. 2).
- 4) Reinigen Sie alle Bauteile ausschließlich mit klarem Wasser. Verwenden Sie erforderlichenfalls eine kleine, weiche Bürste. VERWENDEN SIE KEINE REINIGUNGSMITTEL ODER SONSTIGEN CHEMISCHEN SUBSTANZEN, die die Pumpe beschädigen und den Teich verunreinigen könnten.
- 5) Setzen Sie alle Bauteile wieder sorgfältig zusammen (Schnitt-Ansicht Abb. 10).

PowerJet 900/3500 und 1300/4500 (Abb. 3)

- 1) Lösen Sie die vier Schrauben auf der Flügelradabdeckung (4) mit einem Kreuzschlitz-Schraubendreher und nehmen Sie sie heraus.
- 2) Entfernen Sie die Flügelradbaugruppe (3).
- 3) Reinigen Sie alle Bauteile ausschließlich mit klarem Wasser. Verwenden Sie erforderlichenfalls eine kleine, weiche Bürste. VERWENDEN SIE KEINE REINIGUNGSMITTEL ODER SONSTIGEN CHEMISCHEN SUBSTANZEN, die die Pumpe beschädigen und den Teich verunreinigen könnten.
- 4) Setzen Sie alle Bauteile wieder sorgfältig zusammen (Schnitt-Ansicht Abb. 10).

PowerJet 1500/6000 (Abb. 4)

- 1) Lösen Sie die drei Schrauben auf der Flügelradabdeckung (4) mit einem Kreuzschlitz-Schraubendreher und nehmen Sie sie heraus.
- 2) Entfernen Sie die Flügelradbaugruppe (3) durch Ziehen am Flansch. Hierdurch wird der

POWERJET PUMPE	400/1500 PT-324		600/2200 PT-326		900/3500 PT-328		1300/4500 PT-330		1500/6000 PT-332		2000/7500 PT-334		2400/9000 PT-336		2900/11000 PT-338	
Spannung (V)	120	230-240	120	230-240	120	230-240	120	230-240	120	230-240	120	230-240	120	230-240	120	230-240
Frequenz (Hz)	60	50	60	50	60	50	60	50	60	50	60	50	60	50	60	50
Leistung (W)	19	21	32	32	65	55	72	55	100	80	100	100	100	100	130	125
Max. Tiefe	2 m		2 m		2 m		2 m		2 m		2 m		2 m		2 m	
Max. Durchfluss (L/h)	1450	1450	2200	2200	3400	3700	4850	4750	6000	5900	7500	7500	9000	9000	10800	10600
Max. Höhe (m)	1.7	1.7	1.8	1.8	1.95	1.9	2.6	2.45	4.10	3.50	3.7	3.7	3.7	3.7	4.5	4.5
Schutzklasse	IPX8		IPX8		IPX8		IPX8		IPX8		IPX8		IPX8		IPX8	

- 3) Dichtungsring (2) aus seinem Sitz herausgelöst.
- 3) Reinigen Sie alle Bauteile ausschließlich mit klarem Wasser. Verwenden Sie erforderlichenfalls eine kleine, weiche Bürste. VERWENDEN SIE KEINE REINIGUNGSMITTEL ODER SONSTIGEN CHEMISCHEN SUBSTANZEN, die die Pumpe beschädigen und den Teich verunreinigen könnten.
- 4) Setzen Sie alle Bauteile wieder sorgfältig zusammen (Schnitt-Ansicht Abb. 10), indem Sie zuerst die Flügelradbaugruppe und anschließend den Dichtungsring auf ihrem jeweiligen Sitz platzieren. Achten Sie darauf, dass das Flügelradlager, die Lagerbuchse und der Dichtungsring ordnungsgemäß auf dem Boden der Flügelradkammer platziert sind.

PowerJet 2000/7500, 2400/9000 und 2900/11000 (Abb. 4)

- 1) Lösen Sie die vier Schrauben auf der Flügelradabdeckung (4) mit einem Kreuzschlitz-Schraubendreher und nehmen Sie sie heraus.
- 2) Benutzen Sie einen Schlitz-Schraubendreher, um die Flügelradbaugruppe (3) vorsichtig herauszuheben.
- 3) Reinigen Sie alle Bauteile ausschließlich mit klarem Wasser. Verwenden Sie erforderlichenfalls eine kleine, weiche Bürste. VERWENDEN SIE KEINE REINIGUNGSMITTEL ODER SONSTIGEN CHEMISCHEN SUBSTANZEN, die die Pumpe beschädigen und den Teich verunreinigen könnten.
- 4) Setzen Sie alle Bauteile wieder sorgfältig zusammen (Schnitt-Ansicht Abb. 10), und achten Sie dabei darauf, dass das Flügelradlager, die Lagerbuchse und der Dichtungsring ordnungsgemäß auf dem Boden der Flügelradkammer platziert sind.

Ersetzen von Lagerbuchse und Dichtungsring (Ersatzteil-Pack nicht im Lieferumfang enthalten. Art.-Nr. PT-466).

Nur für PowerJet 1500/6000, 2000/7500, 2400/9000 und 2900/11000.

Obwohl die Lagerbuchse aus äußerst strapazierfähigem Material besteht, kann sie sich unter bestimmten Bedingungen abnutzen. Aus diesem Grund wird empfohlen, sie jeweils gemeinsam mit der Flügelradbaugruppe auszutauschen. Befolgen Sie die der Packung mit den Ersatzteilen beigefügten Hinweise. Nachdem Sie Lagerbuchse und Dichtungsring ersetzt haben, setzen Sie vorsichtig wieder alle Teile zusammen (Schnitt-Ansicht Abb. 10).

Bringen Sie die Pumpe wieder in ihre ursprüngliche Position, indem Sie sie auf die untere Hälfte des Pumpenkorb legen (Abb. 10). Befestigen Sie das Stromkabel an der unteren Hälfte des Korbs. Netz-kabel an der unteren Hälfte des Korbs befestigen und sicherstellen, dass das Netzkabel richtig in Position sitzt. Schließen Sie den Pumpenkorb, indem Sie zuerst die obere Hälfte des Korbs mittels der vorgefertigten Aufnahmehalterungen gegenüber dem Korbgriff in die untere Korbhälfte einrasten. Legen Sie dann beide Hälften aufeinander und achten Sie dabei darauf, dass sie korrekt abschließen und dass keine Öffnungen vorhanden sind. Zuletzt arretieren Sie die beiden Hälften aneinander mit Hilfe der drehbaren Befestigungsstifte.

Bitte sicherstellen, daß der Pumpenkorb ganz geschlossen ist und das Netzkabel richtig in Position sitzt, bevor die Pumpe hochgehoben oder angeschaltet wird.



Abb. 10

PROBLEMBEHEBUNG

GERINGER PUMPENDURCHFLUSS

- Überprüfen Sie, ob der Pumpenkorb sauber ist.
- Untersuchen Sie den Schlauch auf Verstopfungen.
- Vergewissern Sie sich, dass die Pumpe frei von Schmutz und Verunreinigungen ist.

KEIN PUMPENDURCHFLUSS

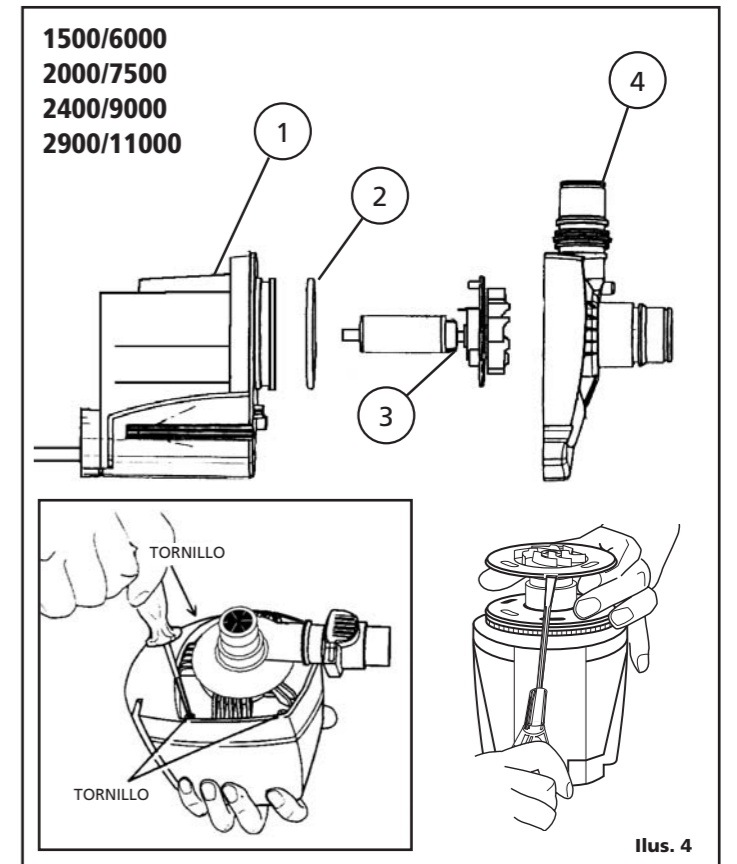
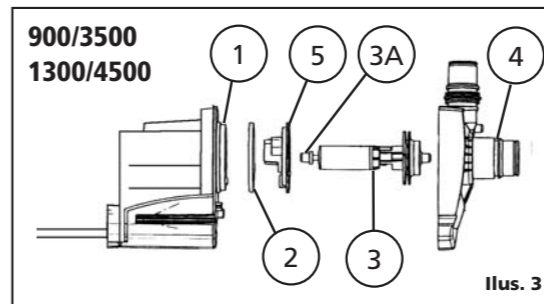
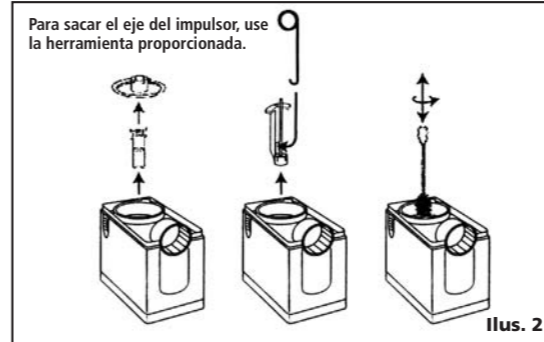
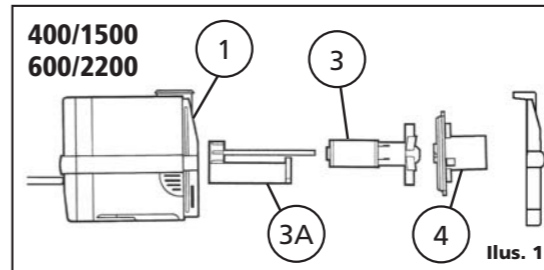
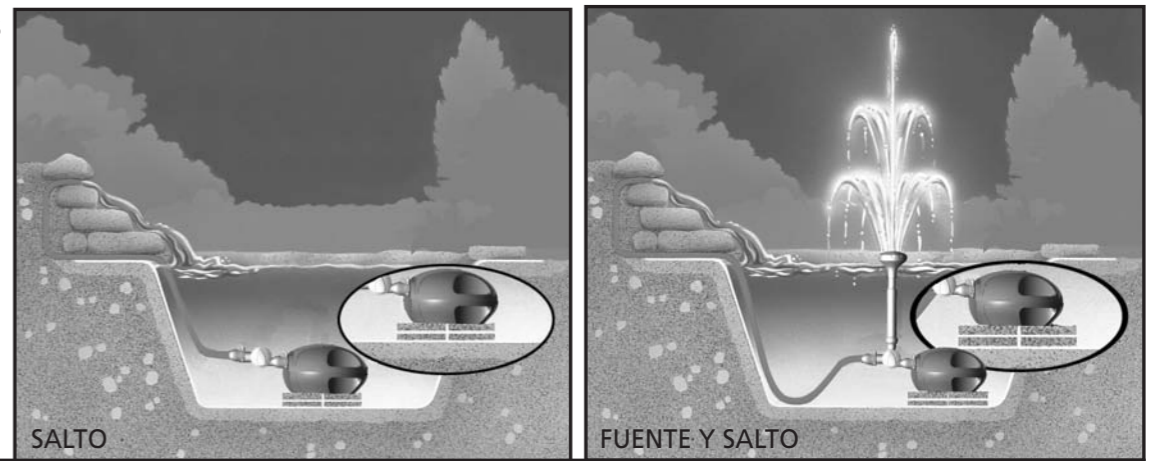
- Prüfen Sie, ob der Strom angeschaltet ist.
- Überprüfen Sie die Sicherung (nur GB) und die Verkabelung.
- Prüfen Sie, ob der Netzstecker ordnungsgemäß mit der Steckdose verbunden ist.
- Überprüfen Sie, ob der Pumpenkorb sauber ist.
- Untersuchen Sie den Schlauch auf Verstopfungen.
- Vergewissern Sie sich, dass die Pumpe frei von Schmutz und Verunreinigungen ist.
- Vergewissern Sie sich, dass die Pumpe und der PowerFlo Filter vollständig ins Wasser eingetaucht sind.

SCHWACHER FONTÄNENSTRAHL

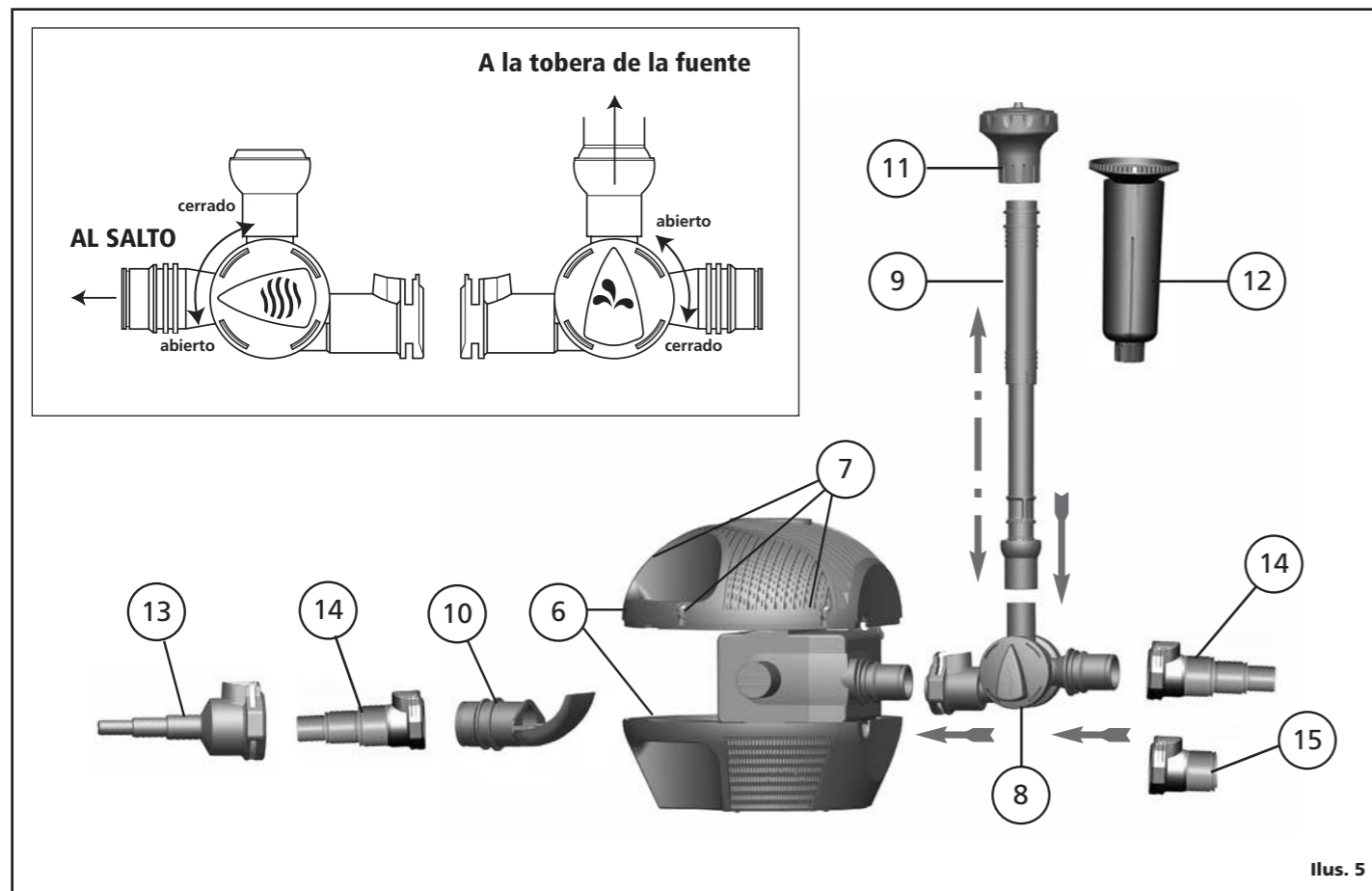
- Überprüfen Sie, ob die Fontänendüse sauber ist.

Ejemplos de diferentes instalaciones

Asegúrese de que la bomba está elevada para que no se bloquee la jaula.



Piezas de repuesto		400/1500 PT-324	600/2200 PT-326	900/3500 PT-328	1300/4500 PT-330	1500/6000 PT-332	2000/7500 PT-334	2400/9000 PT-336	2900/11000 PT-338
1	Motor	PT-380	PT-382	PT-384	PT-386	PT-388	PT-390	PT-392	PT-394
2	Aro sellador	-	-	PT-762	PT-762	PT-763	PT-764	PT-764	PT-764
3	Conjunto del impulsor	PT-454	PT-455	PT-457	PT-458	PT-459	PT-461	PT-461	PT-465
3A	Eje del impulsor	PT-759	PT-759	PT-761	PT-761	-	-	-	-
4	Tapa del impulsor	PT-736	PT-737	PT-738	PT-738	PT-733	PT-735	PT-739	PT-739
5	Accesorio del impulsor	-	-	PT-768	PT-768	-	-	-	-
6	Jaula de la bomba	PT-440	PT-440	PT-441	PT-441	PT-442	PT-443	PT-443	PT-443
7	Pasadores pivotantes	PT-447	PT-447	PT-447	PT-447	PT-447	PT-447	PT-447	PT-447
8	Válvula de derivación	PT-626	PT-626	PT-627	PT-627	PT-627	PT-628	PT-628	PT-628
9	Tobera	PT-616	PT-616	PT-617	PT-617	PT-617	PT-617	PT-617	PT-617
10	Adaptador remoto	PT-609	PT-609	PT-609	PT-609	PT-609	PT-609	PT-609	PT-609
11	Elevador del chorro de tres niveles	PT-652 / 651	PT-652	PT-652	PT-652	PT-652	PT-654	PT-654	PT-654
12	Chorro tipo campana	PT-662	PT-662	PT-662	PT-662	PT-662	PT-664	PT-664	PT-664
13	Adaptador para manguera de jardín (3/8, 1/2, 5/8 pulg.)	PT-637	PT-637	PT-637	PT-637	PT-637	PT-637	PT-637	PT-637
14	Acoplamiento universal (Adaptador 3/4, 1 1/4 pulg.)	PT-640	PT-640	PT-640 (x2)	PT-640 (x2)	PT-640 (x2)	PT-640 (x2)	PT-640 (x2)	PT-640 (x2)
15	Acoplamiento "Clic-fit" (1 pulg.)	PT-635	PT-635	-	-	-	-	-	-



Ilus. 5

CONJUNTA DE BOMBA PARA FUENTES Para sumergir y usar únicamente en agua dulce.

Lea atentamente las instrucciones antes de hacer la instalación y poner en funcionamiento la bomba.

MEDIDAS DE SEGURIDAD IMPORTANTES

ADVERTENCIA: para impedir lesiones, se deben observar las siguientes medidas de seguridad básicas:

- Antes de usar la bomba **LEA Y RESPETE TODAS LAS MEDIDAS DE SEGURIDAD** y todos los avisos importantes que están en el aparato. El no hacerlo, puede causar la muerte de los peces y/o dañar este aparato.
- PELIGRO:** para evitar un posible choque eléctrico, se debe tener especial cuidado al usar este equipo para estanques, dado que se está en contacto con el agua. En cada una de las situaciones siguientes, no trate de hacer las reparaciones usted mismo; devuelva el aparato a la tienda donde lo compró, si todavía está bajo garantía.
- A. Si el aparato da muestras de una pérdida anormal de agua o si el interruptor de corriente de falla de tierra se apaga, desconecte el cable de alimentación de la fuente de alimentación principal y saque la bomba del agua.
- B. Examine cuidadosamente el aparato después de instalarlo. No deberá estar enchufado, si hay agua en piezas que no deben mojarse.
- C. No haga funcionar ningún aparato que tenga un cable o enchufe dañado, que no marche bien o que se haya caído o dañado. El cable eléctrico de este aparato no puede cambiarse. Si el cable o el enchufe están dañados, deseche el aparato. Nunca corte el cable.
- Es necesario que un adulto supervise a los niños, cuando usan este aparato o están cerca del mismo cuando está en uso.
- Para evitar lesiones, no toque las piezas móviles o que estén calientes.
- PRECAUCIÓN:** desconecte el enchufe de todos los aparatos instalados en el estanque antes de poner las manos en el agua, poner o sacar piezas o mientras el equipo se instala, se maneja o se le hace mantenimiento. Antes de poner o sacar la bomba del agua, desenchufe siempre el enchufe eléctrico principal. Nunca dé un tirón al cable para desenchufar el aparato. Tome el enchufe y tire de él para desconectarlo. Siempre desenchufe un aparato cuando no está funcionando. Nunca levante la bomba por el cable. Utilice la manija del aparato.

- PRECAUCIÓN:** ESTA ES UNA BOMBA PARA ESTANQUES. Esta bomba ha sido evaluada para usar con agua únicamente. No la utilice para otro fin que no sea el previsto (es decir: no la use en piscinas, cuartos de baño, etc.). El uso de accesorios no recomendados o no vendidos por el fabricante del aparato puede crear condiciones de riesgo. No utilice esta bomba en piscinas ni en otros lugares donde la gente se sumerja. Esta bomba puede usarse con agua hasta 35 °C máximo. No use esta bomba con líquidos inflamables o potables.
- No instale ni almacene el aparato donde se exponga a la intemperie o a temperaturas bajo cero. Sáquelo y guárdelo en un lugar protegido. Proteja la bomba contra la luz solar directa. Los materiales no se alteran por la luz solar, pero los rayos directos pueden calentar el motor y acelerar el envejecimiento del aislador.
- IMPORTANTE:** esta bomba puede funcionar únicamente si está bien cerrada dentro de la jaula y después de comprobar que la jaula ha sido muy bien trabada con los tornillos de sujeción, en la mitad superior de la jaula. Antes de hacer funcionar la bomba, cerciórese de que esté bien instalada. No permita que la bomba funcione en seco. La bomba debe estar toda sumergida en el agua. Nunca debe funcionar fuera del agua.
- Si necesitara usar una extensión, fíjese que la conexión sea hermética y no deje entrar el agua ni el polvo. Es necesario usar un cable de la clase apropiada. Un cable de menos amperaje puede calentarse. Se debe tener cuidado de colocar el cable de manera tal que nadie pueda tropezar con él ni tirar del mismo. La conexión debería ser hecha por un electricista acreditado.
- IMPORTANTE:** alimente el aparato mediante un interruptor de corriente de falla de tierra cuya corriente residual clasificada no exceda 30 mA.
- ADVERTENCIA:** peligro de choque eléctrico: esta bomba viene con un enchufe con conexión a tierra. Para reducir el peligro de un choque eléctrico:

- asegúrese de que esté conectada a un tomacorriente con conexión a tierra
- use sólo en fuentes autónomas portátiles, de 5 pies máximo, en cualquier dimensión (PARA EE.UU. ÚNICAMENTE)

GUARDE ESTAS INSTRUCCIONES PARA REFERENCIA FUTURA

Solamente si se cumplen como corresponde estas pautas de instalación, mantenimiento y conexiones eléctricas se logrará un uso seguro y eficiente de esta bomba.

INSTRUCCIONES DE INSTALACIÓN DE LA BOMBA

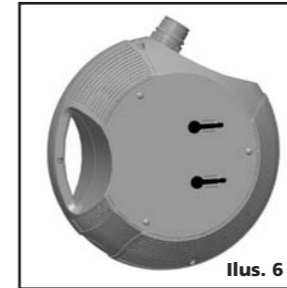
Información general

Las bombas PowerJet están diseñadas para generar una fuerte circulación de agua, esencial para crear fuentes y saltos. Además de ser agradable a la vista, el flujo contribuye a la oxigenación del agua del estanque, beneficiando así a los peces y las plantas. La bomba ha sido diseñada para hacer circular agua limpia solamente y no es un filtro para estanques.

El motor de la bomba se asienta en el interior de una jaula de forma singular, concebida para bloquear el paso de sólidos que pudiesen obstruir y dañar las toberas de la bomba y la fuente. Esta función particular prolonga el periodo de desempeño confiable. La bomba siempre debe utilizarse con su jaula.

Para que la bomba no aspire la suciedad del fondo del estanque, recomendamos instalarla en una superficie elevada, plana y a nivel. Se recomienda amarrarla a una base fija mediante las ranuras con forma de ojo de cerradura, en el fondo de la jaula, que permiten fijar o soltar rápidamente la bomba de la base. (Ilus. 6).

Fíjese que la información de la placa de identificación (sobre la bomba) corresponda a la fuente de alimentación. La instalación y el cableado eléctricos deben cumplir con las normas de seguridad de la zona donde vive. Si usted no está seguro de dichas normas, pida a un electricista acreditado que le haga el cableado. El cable eléctrico debe protegerse contra cualquier objeto que pueda dañarlo. La toma de corriente eléctrica debe estar en un lugar seco, protegido y fácilmente accesible.



ADVERTENCIA: antes de instalar, reparar, hacer el mantenimiento o manejar un equipo que esté en el agua, desenchufe o desconecte siempre todos los aparatos eléctricos del estanque de la fuente de alimentación eléctrica a la que se estén conectados.

Importante: para lograr el mejor desempeño de la bomba, utilice siempre la manguera del mayor diámetro posible. Evite que la manguera haga ángulos marcados y cree preferiblemente curvas graduales.

Instalación: (véase la Ilus.5)

Advertencia: no enchufe la bomba sin haber terminado de instalarla correctamente.

- Inserte la tobera telescópica (9) en el asiento correspondiente de la válvula de derivación (8).
- Inserte la tobera de la fuente (11 ó 12) en la parte superior de la tobera telescópica (9).
- Inserte la válvula de derivación (8) junto con la tobera telescópica (9) y la tobera de la fuente (11 ó 12) en la salida de la bomba, controlando que el acoplamiento "Click-Fit" encaje con un clic en su lugar.
- Si instala un filtro sumergible, consulte la sección sobre cómo prolongar el desempeño de la bomba con un filtro sumergible PowerFlo que viene más adelante. Si usa la función de lavado por contracorriente para enjuagar periódicamente la jaula de la bomba, consulte la sección correspondiente a este tipo de lavado.
- Coloque la bomba en el estanque y asegúrese de que esté bien fija sobre una plataforma sólida, plana y elevada. En caso de necesidad, utilice las ranuras con forma de ojo de cerradura del fondo de la bomba para sujetarla a una base firme.
- Ajuste la altura del chorro de la fuente (11 ó 12) bajando o subiendo la tobera telescópica (9).
- Para aumentar más la altura de los chorros de la fuente, añádale si desea una prolongación al tubo (vendida por separado, PT-645). No se aplica a los modelos 400/1500 y 600/2200.
- Para utilizar la salida adicional de la válvula de derivación para transferir el agua a un salto, al esterilizador UV PowerClear o a otro equipo, conecte una manguera flexible (no incluida) a la salida lateral de la válvula de derivación con un acoplamiento "Click-Fit". Si usa un acoplamiento universal Click-Fit (14), córtelo a la medida necesaria con una sierra pequeña para que la manguera quepa bien y produzca el mejor funcionamiento de la bomba.
- El flujo del agua a la salida de la tobera de la fuente o del salto se puede ajustar independientemente con las dos válvulas de control que están a los lados de la válvula de derivación (8).

Cómo abrir y cerrar la jaula de la bomba (véase Ilus. 7)

Las mitades superior e inferior de la jaula se sujetan con pasadores pivotantes. Con un destornillador corriente de cabeza plana (de 5 mm a 8 mm), haga lo siguiente:

Para abrir la jaula de la bomba: haga girar suavemente 1/4 el sujetador a la izquierda para liberar el pasador.

Para cerrar la jaula de la bomba: oprima suavemente el sujetador y gire 1/4 hacia la derecha para trabar.

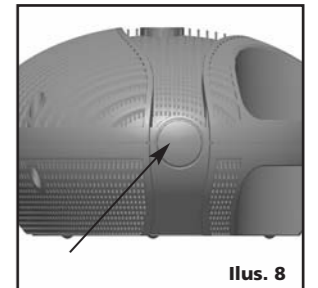
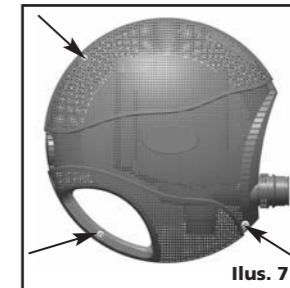
Funcionamiento de la bomba

Una vez que la bomba se ha terminado de instalar, puede hacerse arrancar enchufándola en el tomacorriente.

Cómo prolongar el desempeño de la bomba con un filtro sumergible PowerFlo (vendido por separado)

Para reducir la frecuencia de limpieza de la bomba y prolongar su buen desempeño, usted puede conectar la jaula principal a un filtro sumergible Laguna (PT-500 o PT-505). Además de prolongar el buen funcionamiento, la instalación de un filtro también mejorará la calidad del agua del estanque.

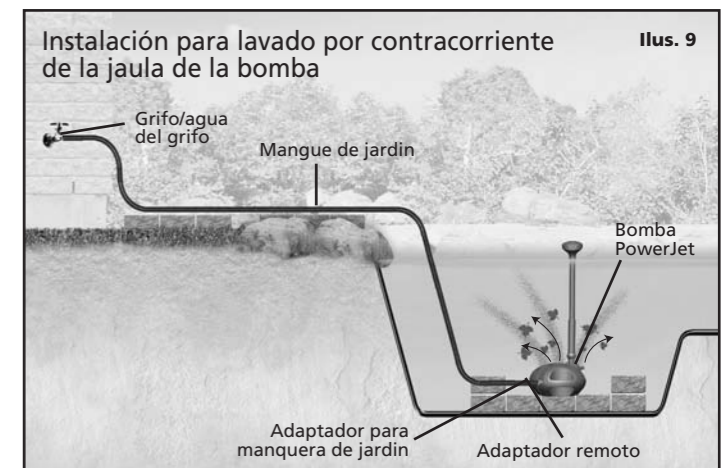
- Abra la jaula de la bomba, destrabe los pasadores pivotantes de sujeción (Ilus.7).
- La jaula de la bomba viene con una sección marcada (Ilus.8), que se debe cortar con una herramienta de corte conveniente.
- Inserte un adaptador remoto (10) en la abertura marcada, en la parte posterior de la jaula.
- Cierre la jaula, asegurándose de que las dos mitades estén bien alineadas y acopladas, y después fíjelas con los pasadores pivotantes (Ilus. 7) al aparato.
- Conecte la jaula de la bomba al filtro mediante una manguera flexible (no incluida) que tenga el acoplamiento para manguera Click-Fit.



Importante: mientras funcione la bomba, el filtro sumergible siempre debe estar totalmente sumergido en el agua para evitar que la bomba aspire aire y se dañe. Asegúrese de que la jaula esté bien trabada antes de levantarla o de hacer funcionar la bomba.

Lavado por contracorriente de la jaula de la bomba (Véase la Ilus.9)

El sistema de lavado por contracorriente permite conectar una manguera de jardín a la bomba para limpiar parcialmente la suciedad y los desechos que queden sobre la superficie de la jaula de la bomba. Esta función restablece el flujo de agua a través de la bomba y trae también agua nueva al estanque. Utilice el adaptador remoto (10) y el adaptador de manguera de jardín (13) para conectar la manguera de jardín a la jaula de la bomba. Conecte el otro extremo de la manguera a un grifo. Desconecte la bomba de la fuente de alimentación principal. Haga correr el agua a través de la jaula durante un minuto por lo menos. Reconecte la bomba a la corriente. Repita el procedimiento, si fuera necesario.



NOTA: cuando agrega agua del grifo al estanque, ponga una cantidad conveniente de desclorinador de agua Laguna (vendido por separado, PT-860, PT-863).

Mantenimiento de la bomba

Advertencia: antes de instalar, reparar, hacer el mantenimiento o manejar un equipo que esté en el agua, desenchufe o desconecte siempre todos los aparatos eléctricos del estanque de la fuente de alimentación eléctrica a la que se estén conectados.

Para no acortar la vida útil de la bomba, siga estas simples normas de mantenimiento:

- Una vez por semana, asegúrese de que la bomba funciona satisfactoriamente. Si usted detectó que la bomba no funciona muy bien (por ejemplo, una disminución del flujo del agua o el que va a la tobera de la fuente o al salto), limpie la jaula de la bomba, la tobera de la fuente, las mangueras y la válvula de derivación. Si el flujo sigue sin volver completamente a su fuerza original, limpie el impulsor, el recinto y la tapa del mismo (véase el procedimiento de mantenimiento indicado abajo).

- La jaula de la bomba se debe limpiar por lo menos una vez al mes.
- Cuando sea necesario, o por lo menos una vez al año, limpie todo el motor de la bomba (impulsor, recinto y tapa del impulsor) y asegúrese de que no hay depósitos de piedra caliza, que afecten el funcionamiento de la bomba.
- Para mantener la bomba funcionando bien, cambie siempre las piezas que estén gastadas.
- El motor de la bomba no tiene ninguna pieza reparable por el usuario. Si el motor o el cable eléctrico están dañados, tire la bomba.
- Ante una duda, consulte a su minorista de productos Laguna o llame al Departamento de Servicio a la Clientela correspondiente, a partir de la lista que aparece en la contratapa de este manual.

Limpieza de la jaula de la bomba

La función principal de la jaula de la bomba es impedir la entrada en la bomba de las partículas sólidas más grandes (o sólidos) que podrían obstruir el motor. Por lo tanto, es normal que estos sólidos se vayan acumulando en la superficie externa de la jaula y, con el tiempo, reduzcan el desempeño de la bomba, reduciendo el flujo que va al filtro o al salto. Para limpiar la jaula y restablecer el buen funcionamiento de la bomba, realice uno de los procedimientos siguientes:

- Sin sacar la bomba del estanque, cepille los desechos de la parte externa de la jaula con una escoba o una herramienta similar. Para un mejor resultado, cepille la jaula a lo largo de las varillas.
- Si usted ha instalado el sistema de lavado por contracorriente (véase la sección correspondiente), ponga el agua del grifo en la bomba durante un minuto por lo menos, sin sacar la bomba del estanque.
- Saque la jaula de la bomba del estanque, destrabe los pasadores pivotantes (Ilus.7) y saque la mitad superior de la jaula. Limpie todos los componentes usando una manguera de jardín y agua. Vuelva a montar todos los componentes con cuidado.

Asegúrese de que la jaula esté bien trabada y que el cable eléctrico esté bien colocado antes de levantarla o de hacer funcionar la bomba (véase la ilus. 10).

Limpieza del impulsor del motor de la bomba y del recinto y la tapa del impulsor

PRECAUCIÓN : el motor de la bomba incluye un eje cerámico de alta calidad con un desempeño duradero y fiable, si se mantiene como corresponde. No obstante, al hacer el mantenimiento se deberá manejar el eje con extremo cuidado. Evite que se caiga o presionarlo demasiado para que no se rompa ni se fisure, lo que lo hará saltar durante el funcionamiento.

Saque la bomba del estanque, desatornille los tornillos de sujeción y quite la mitad superior de la jaula. Suelte la bomba de la mitad inferior de la jaula quitando los dos tornillos del reductor de tirones del cable eléctrico.

Siga las instrucciones de limpieza descritas a continuación, según el modelo de la bomba:

PowerJet 400/1500 y 600/2200 (Ilus.1)

- 1) Saque la tapa del motor, luego la del impulsor, girando y tirándola hacia afuera.
- 2) Quite el conjunto del impulsor (3).
- 3) En caso de necesidad, saque el eje del impulsor (3A) con la herramienta proporcionada (A-17015) (Ilus.2).
- 4) Limpie todos los componentes en agua limpia, con un cepillo pequeño, no abrasivo, si fuera necesario. NO UTILICE DETERGENTES NI NINGÚN OTRO LIMPIADOR QUÍMICO que pudieran dañar la bomba y contaminar el estanque.
- 5) Vuelva a montar todos los componentes con cuidado (véase la ilus. 10).

PowerJet 900/3500 y 1300/4500 (Ilus.3)

- 1) Con un destornillador Phillips (cabeza en cruz), desatornille los cuatro tornillos de la tapa del impulsor (4) y quítela.
- 2) Quite el conjunto del impulsor (3).
- 3) Limpie todos los componentes en agua limpia, con un cepillo pequeño, no abrasivo, si fuera necesario. NO UTILICE DETERGENTES NI NINGÚN OTRO LIMPIADOR QUÍMICO que pudieran dañar la bomba y contaminar el estanque.
- 4) Vuelva a montar todos los componentes con cuidado (véase la ilus. 10).

PowerJet 1500/6000 (Ilus. 4)

- 1) Con un destornillador Phillips (cabeza en cruz), desatornille los tres tornillos de la tapa del impulsor (4) y quítela.
- 2) Quite el conjunto del impulsor (3). agarrando la pestaña. Esto hará salir el aro sellador (2) de su asiento.
- 3) Limpie todos los componentes en agua limpia, con un cepillo pequeño, no abrasivo, si

fuera necesario. NO UTILICE DETERGENTES NI NINGÚN OTRO LIMPIADOR QUÍMICO que pudieran dañar la bomba y contaminar el estanque.

- 4) Vuelva a montar todos los componentes con cuidado (véase la ilus. 10), colocando en los asientos apropiados, primero el conjunto del impulsor y luego el aro sellador. Asegúrese de que el cojinete, el buje y la junta tórica del impulsor estén bien colocados en el fondo del recinto del impulsor.

PowerJet 2000/7500, 2400/9000 y 2900/11000 (Ilus.4)

- 1) Con un destornillador Phillips (cabeza en cruz), desatornille los cuatro tornillos de la tapa del impulsor (4) y quítela.
- 2) Con un destornillador de cabeza plana, levante cuidadosamente el conjunto del impulsor.
- 3) Limpie todos los componentes en agua limpia, con un cepillo pequeño, no abrasivo, si fuera necesario. NO UTILICE DETERGENTES NI NINGÚN OTRO LIMPIADOR QUÍMICO que pudieran dañar la bomba y contaminar el estanque.
- 4) Vuelva a montar todos los componentes con cuidado (véase la ilus. 10), asegurándose de que el cojinete, el buje y la junta tórica del impulsor están bien colocados en el fondo del recinto del impulsor.

Cambio del buje y de la junta tórica (repuestos no incluidos. Pieza nº Pt-466).

Para PowerJet 1500/6000, 2000/7500, 2400/9000 y 2900/11000 únicamente.

Aunque el buje es de material muy resistente, en ciertas condiciones se desgasta. Por esta razón, se recomienda cambiarlo cuando se cambia el impulsor. Siga las instrucciones que vienen en el paquete de las piezas de repuesto. Una vez que usted haya cambiado el buje y la junta tórica, vuelva a montar todas las partes con cuidado (véase la ilus. 10).

Ponga nuevamente la bomba en su posición original, depositándola en la mitad inferior de la jaula (Ilus.10). Sujete el cable eléctrico a la mitad inferior de la jaula verificando que el cable eléctrico esté bien colocado. Primero cierre la jaula de la bomba, **uniendo la mitad superior con la mitad inferior en los asientos colocados frente a la manija de la jaula**. Luego cierre las dos mitades, asegurándose de que estén alineadas correctamente y que no quede ninguna abertura. Finalmente, fije las dos mitades con los pasadores pivotantes.

Asegúrese de que la jaula esté bien trabada y que el cable eléctrico esté bien colocado antes de levantarla o de hacer funcionar la bomba.



Ilus. 10

DETECCIÓN DE FALLAS

LA BOMBA PRODUCE POCO FLUJO

- Fijese que la jaula de la bomba esté limpia.
- Fijese que la manguera no esté bloqueada.
- Controle que la bomba no esté sucia ni tenga desechos.

LA BOMBA NO PRODUCE FLUJO

- Controle que la fuente de alimentación esté conectada a la corriente
- Controle el fusible (mercado del Reino Unido únicamente) y el cableado
- Controle que el enchufe esté bien conectado al tomacorriente
- Fijese que la jaula de la bomba esté limpia
- Fijese que la manguera no esté bloqueada
- Controle que la bomba no esté sucia ni tenga desechos.
- Controle que la bomba o el filtro PowerFlo estén totalmente sumergidos en el agua

MAL DESEMPEÑO DE LA FUENTE

- Controle que la tobera de la fuente esté limpia

WINTERIZING THE PUMP

1. Unplug and remove the pump from the pond.

2. Gently scrub off any dirt and debris with a soft nylon brush.

3. Open the cage by unlocking the pivot pin fasteners and remove the pump from the cage.

4. Thoroughly clean the pump and cage as per instructions in this manual.

5. In addition, soak the impeller shaft and impeller well in white vinegar for 24 hours, then rinse off with water. This procedure will remove calcium and other mineral deposits from the impeller shaft. If these deposits are not removed they may cause the shaft to bind and break when the pump is started again.

6. Lubricate all seals with Laguna Silicone Lube (sold separately/PT-595)

7. Store indoors for best results. Do not store the pump in below freezing temperatures.

8. When re-opening your pond or water feature in the spring, submerge the pump in the pond for 1 hour prior to starting the pump.

SO MACHEN SIE IHRE PUMPE WINTERFEST

1. Ziehen Sie den Netzstecker ab und entfernen Sie die Pumpe aus dem Teich.

2. Säubern Sie die Pumpe behutsam mit einer weichen Nylonbürste von Schmutz und Verunreinigungen.

3. Öffnen Sie den Filterkorb durch Entriegeln der drehbaren Befestigungsstifte und nehmen Sie die Pumpe aus dem Korb heraus.

4. Reinigen Sie Pumpe und Korb sorgfältig gemäß den in dieser Bedienungsanleitung enthaltenen Hinweisen.

5. Lassen Sie zusätzlich Flügelradachse und Flügelradkammer für 24 Stunden in Weißweinessig einweichen und spülen Sie sie anschließend mit Wasser. Dies hilft, die Flügelradachse von Kalk- und anderen Mineralablagerungen zu befreien. Falls diese Ablagerungen nicht entfernt werden, kann dies dazu führen, dass die Achse bei erneuter Inbetriebnahme der Pumpe blockiert und bricht.

6. Schmieren Sie alle Dichtungen mit Laguna Silikon (nicht im Lieferumfang enthalten; Art.-Nr. PT-595).

7. Lagern Sie die Pumpe möglichst im Haus. Lagern Sie die Pumpe nicht bei Temperaturen unter dem Gefrierpunkt.

8. Wenn Sie Ihren Teich oder Ihr Wasserspiel im Frühjahr wieder in Betrieb setzen, tauchen Sie die die Pumpe vor Inbetriebnahme eine Stunde lang im Teich ein.

PRÉPARATION DE LA POMPE POUR L'HIVER

1. Débrancher et retirer la pompe du bassin.

2. Nettoyer doucement la saleté et les débris à l'aide d'une brosse en nylon doux.

3. Enlever et rincer l'épurateur du boîtier. Nettoyer ou jeter la mousse.

4. Nettoyer la pompe et le boîtier à fond en suivant les instructions de ce manuel.

5. De plus, faire tremper l'arbre et le puits de la couronne dans du vinaigre blanc pendant 24 heures et rincer ensuite avec de l'eau. Ce procédé contribuera à éliminer le calcium et autres dépôts minéraux de l'arbre de la couronne. Si ces dépôts ne sont pas enlevés, l'arbre pourra se coincer et briser lorsque la pompe démarra de nouveau.

6. Lubrifier tous les joints d'étanchéité avec le lubrifiant de silicone Laguna (vendu séparément/PT-595)

7. Ranger à l'intérieur pour de meilleurs résultats et ne pas remiser à une température sous le point de congélation.

8. Au moment du redémarrage de votre bassin ou d'un ornement aquatique au printemps, submerger la pompe dans le bassin pendant 1 heure avant de la faire démarrer.

ACONDICIONAMIENTO PARA EL INVIERNO DE LA BOMBA

1. Desenchufe y quite la bomba del estanque.

2. Con un cepillo de nilón suave restriegue suavemente para sacar toda la suciedad y desechos.

3. Abra la jaula, destrabando los pasadores pivotantes y quite la bomba de la jaula.

4. Limpie a fondo la bomba y la jaula, siguiendo las instrucciones de este manual.

5. Además, empape el eje y el recinto del impulsor en vinagre blanco durante 24 horas, luego enjuague con agua. Este procedimiento ayudará a sacar el calcio y otros depósitos de minerales del eje del impulsor. Si estos depósitos no se quitan el eje puede empastarse y romperse, cuando se encienda otra vez la bomba.

6. Lubrique todos los sellos con lubricante de silicona Laguna (se vende por separado, PT-595)

7. Guarde adentro para mayor seguridad. No guarde la bomba en un lugar donde haga temperaturas bajo cero.

8. Cuando vuelva a abrir el estanque en la primavera, sumerja la bomba en él durante una hora antes de encenderla.

BOMBA POWERJET	400/1500 PT-324		600/2200 PT-326		900/3500 PT-328		1300/4500 PT-330		1500/6000 PT-332		2000/7500 PT-334		2400/9000 PT-336		2900/11000 PT-338		
	Voltios	120	230-240	120	230-240	120	230-240	120	230-240	120	230-240	120	230-240	120	230-240	120	230-240
Herzios	60	50	60	50	60	50	60	50	60	50	60	50	60	50	60	50	
Vatios	19	21	32	32	65	55	72	55	100	80	100	100	100	100	130	125	
Profundidad máx.	6'6"/2 m		6'6"/2 m		6'6"/2 m		6'6"/2 m		6'6"/2 m		6'6"/2 m		6'6"/2 m		6'6"/2 m		
Gasto máx.	Gal. EUA/h	383	383	582	582	899	977	1281	1255	1585	1558	1981	1981	2378	2378	2853	2800
	L/H	1450	1450	2200	2200	3400	3700	4850	4750	6000	5900	7500	7500	9000	9000	10800	10600
Elevación máx.	pies	5'7"	5'7"	5'10"	5'10"	6'4"	6'2"	8'6"	8'4"	13'5"	11'6"	12'2"	12'2"	12'2"	12'2"	14'9"	14'9"
	m	1.7	1.7	1.8	1.8	1.95	1.9	2.6	2.45	4.10	3.50	3.7	3.7	3.7	3.7	4.5	4.5
Grado de protección	IPX8		IPX8		IPX8		IPX8		IPX8		IPX8		IPX8		IPX8		

CANADA

WARRANTY REGISTRATION CARD / FICHE DE GARANTIE RETURN TO VALIDATE YOUR GUARANTEE / À RETOURNER POUR VALIDER VOTRE GARANTIE

In order to help us serve you better, please complete and mail in this Registration Card. Or, if you prefer, you may register on our web site (www.hagen.com). Afin de nous aider à mieux vous servir, veuillez remplir et retourner cette Carte d'enregistrement. Ou bien, vous pouvez enregistrer le modèle sur notre site web (www.hagen.com).

Mr./M Mrs./Mme Miss/Mlle Ms (PLEASE PRINT/VEULLIEZ ÉCRIRE EN LETTRES MOULÉES)

NAME / NOM _____
First Name/Prénom _____ Last Name/Nom de famille _____

ADDRESS / ADRESSE _____

CITY / VILLE _____ PROV. _____ POSTAL CODE / CODE POSTAL _____

TEL. / TÉL. _____ E-MAIL / COURRIEL _____

DATE PURCHASED / DATE DE L'ACHAT _____ STORE / MAGASIN _____
DD/JJ MM/MM YY/AA

CITY / VILLE _____ PROVINCE _____

**WAS THIS A GIFT?
S'AGIT-IL D'UN CADEAU?**

YES / OUI NO / NON

**PUMP USED FOR
POMPE UTILISÉE POUR**

WATERFALL / CASCADES FOUNTAIN / FONTAINE

**LAGUNA POWERJET FREE-FLO
CHECK PRODUCT PURCHASED / COCHER LE PRODUIT LAGUNA ACHETÉ**

PJ 400 (PT-324) PJ 900 (PT-328) PJ 1500 (PT-332) PJ 2400 (PT-336)
 PJ 600 (PT-326) PJ 1300 (PT-330) PJ 2000 (PT-334) PJ 2900 (PT-338)

Rolf C. Hagen Inc. 3225, rue Sartelon Montréal (Québec) H4R 1E8

DEUTSCHLAND

GARANTIE-REGISTRIERUNGSKARTE BITTE ZURÜCKSENDEN ZUR ERHALTUNG DER GARANTIE

Damit wir Sie besser betreuen können, füllen Sie bitte diese Registrierungskarte aus und schicken Sie sie an uns zurück. Falls Sie dies vorziehen, können Sie sich statt dessen auch auf unserer Website unter www.hagen.com registrieren.

Herr Frau (BITTE IN DRUCKSCHRIFT AUSFÜLLEN)

NAME _____
Vorname _____ Familienname _____

ADRESSE _____

STADT _____ LAND _____ POSTLEITZAHL _____

TELEFON-NUMMER _____ ALTER _____ GESCHLECHT M W

KAUFDATUM _____ GESCHÄFT _____
TT MM JJ

STADT _____ LAND _____

WAR ES EIN GESCHENK?

JA NEIN

PUMPE VERWENDET FÜR

WASSERFÄLLE
 SPRINGBRUNNEN

**LAGUNA POWERJET FREE-FLO
WELCHES PRODUKT WURDE ERWORBEN**

PJ 1500 (PT-324) PJ 3500 (PT-328) PJ 6000 (PT-332) PJ 9000 (PT-336)
 PJ 2200 (PT-326) PJ 4500 (PT-330) PJ 7500 (PT-334) PJ 11000 (PT-338)

Hagen Deutschland, Lehmweg 99- 105, D-25488 Holm

U.S.A.

WARRANTY REGISTRATION CARD RETURN TO VALIDATE YOUR GUARANTEE

In order to help us serve you better, please complete and mail in this Registration Card. Or, if you prefer, you may register on our web site (www.hagen.com).

Mr. Mrs. Miss Ms (PLEASE PRINT)

NAME _____
First Name _____ Last Name _____

ADDRESS _____

CITY _____ STATE _____ ZIP CODE _____

TEL. _____ E-MAIL _____

DATE PURCHASED _____ STORE _____
DD MM YY

CITY _____ STATE _____

WAS THIS A GIFT?

YES NO

PUMP USED FOR

WATERFALL FOUNTAIN

**LAGUNA POWERJET FREE-FLO
CHECK LAGUNA PRODUCT PURCHASED**

PJ 400 (PT-324) PJ 900 (PT-328) PJ 1500 (PT-332) PJ 2400 (PT-336)
 PJ 600 (PT-326) PJ 1300 (PT-330) PJ 2000 (PT-334) PJ 2900 (PT-338)

Rolf C. Hagen (U.S.A) Corp. P.O. Box 9107, Mansfield, MA 02048 U.S.A.

U.K.

WARRANTY REGISTRATION CARD RETURN TO VALIDATE YOUR GUARANTEE

In order to help us serve you better, please complete and mail in this Registration Card. Or, if you prefer, you may register on our web site (www.hagen.com).

Mr. Mrs. Miss Ms (PLEASE PRINT)

NAME _____
First Name _____ Last Name _____

ADDRESS _____

CITY _____ AGE GROUP: 16 OR LESS 17-35 36-60 OVER 60 SEX: MALE FEMALE

TEL. _____ E-MAIL _____

OCCUPATION: PROFESSIONAL/MANAGEMENT CLERICAL MANUAL STUDENT RETIRED UNEMPLOYED
 OTHER (PLEASE SPECIFY) _____

WHICH FACTOR MOST INFLUENCED YOUR DECISION TO PURCHASE THIS PRODUCT: STORE DISPLAY ADVERTISEMENT RETAILER RECOMMENDATION
 RECOMMENDATION OF A FRIEND OR RELATIVE OTHER (PLEASE SPECIFY) _____

WAS THIS A GIFT?

YES NO

PUMP USED FOR

WATERFALL FOUNTAIN

**LAGUNA POWERJET FREE-FLO
CHECK LAGUNA PRODUCT PURCHASED**

PJ 1500 (PT-324) PJ 3500 (PT-328) PJ 6000 (PT-332) PJ 9000 (PT-336)
 PJ 2200 (PT-326) PJ 4500 (PT-330) PJ 7500 (PT-334) PJ 11000 (PT-338)

Rolf C. Hagen (U.K.) Ltd. California Dr. Whitwood Industrial Estate, Castleford, West Yorkshire WF10-5QH

FRANCE

FICHE DE GARANTIE À RETOURNER POUR VALIDER VOTRE GARANTIE

Afin de nous aider à mieux vous servir, veuillez remplir et retourner cette Carte d'enregistrement. Ou bien, vous pouvez enregistrer le modèle sur notre site web (www.hagen.com).

M Mme Mlle Ms (VEULLIEZ ÉCRIRE EN LETTRES MOULÉES)

NOM _____
Prénom _____ Nom de famille _____

ADRESSE _____

VILLE _____ CODE POSTAL _____

TÉL. _____ COURRIEL _____

DATE DE L'ACHAT _____ MAGASIN _____
JJ MM AA

VILLE _____ CODE POSTAL _____

S'AGIT-IL D'UN CADEAU?

OUI NON

POMPE UTILISÉE POUR

CASCADES FONTAINE

**LAGUNA POWERJET FREE-FLO
COCHER LE PRODUIT LAGUNA ACHETÉ**

PJ 1500 (PT-324) PJ 3500 (PT-328) PJ 6000 (PT-332) PJ 9000 (PT-336)
 PJ 2200 (PT-326) PJ 4500 (PT-330) PJ 7500 (PT-334) PJ 11000 (PT-338)

Rolf C. Hagen (France) SA, Parisud 4, Boulevard Jean Monnet, F-77388, Combs la Ville, France

WARRANTY

PowerJet Pumps are guaranteed against defects in material or workmanship for a period of 3 years from date of purchase, under normal usage. PowerJet Pumps will be repaired or replaced at manufacturer's discretion, free of charge. This warranty does not apply to any PowerJet Pump which has been subjected to misuse, negligence, tampering or accidental damage to impeller or impeller shaft. No liability is assumed with respect to loss or damage to livestock or personal property irrespective of the cause thereof. This warranty does not affect your statutory rights. Failure caused by misuse is not covered by this warranty.

GARANTIE

Wir garantieren Ihnen, dass PowerJet Pumpen bei normaler Verwendung für die Dauer von 3 Jahren ab dem Zeitpunkt des Erwerbs von Material- bzw. Verarbeitungsfehlern frei sind. Sollte dies nicht der Fall sein, verpflichtet sich der Hersteller nach seinem alleinigen Ermessen zur Reparatur oder zum Ersatz der entsprechenden PowerJet Pumpe. Diese Garantie erstreckt sich nicht auf PowerJet Pumpen, die unsachgemäßer oder fahrlässiger Verwendung, Manipulationen oder deren Flügelrad oder Flügelradachse durch Unfall beschädigt wurden. Eine Haftung für Verluste oder Schäden an Tierbestand oder persönlichem Eigentum ist unabhängig von ihrer Ursache ausgeschlossen. Ihre gesetzlichen Rechte sind von dieser Garantie unberührt. Ein Geräteversagen aufgrund missbräuchlicher Verwendung ist durch diese Garantie nicht abgedeckt.

GARANTIE

Les pompes Powerjet utilisées dans des conditions normales sont garanties contre tout défaut de matériaux et de main-d'oeuvre pour une période de 3 ans à partir de la date d'achat. Les pompes Powerjet seront réparées ou remplacées sans frais, à la discrétion du fabricant. Tout mauvais usage, négligence, modification ou dommage accidentel à la turbine ou à l'axe de turbine invalidera cette garantie. Le fabricant n'est pas responsable des pertes ou des dommages causés aux animaux ou à la propriété. Cette garantie ne porte pas atteinte à vos droits statutaires. Une défaillance causée par un emploi abusif n'est pas couverte par cette garantie.

GARANTÍA

Las bombas para estanque Powerjet están garantizadas contra todo defecto de materiales y mano de obra, por un periodo de tres años a partir de la fecha de adquisición, siempre y cuando se utilice en condiciones normales de uso. Las bombas Powerjet se repararán o reemplazarán gratuitamente, a discreción del fabricante. Esta garantía no se aplica a casos de uso incorrecto, negligencia o daños hechos al rotor o al eje del rotor de la bomba. El fabricante no se responsabiliza de las pérdidas personales, daños a los animales u otras pertenencias, independiente de la razón. Esta garantía no afecta sus derechos legales. Las fallas producidas por un mal uso tampoco están cubiertas por esta garantía.



POWERJET FREE-FLO

Service

If you have a problem or question about the operation of this product, please let us try to help you before you return the product. Most problems can be handled promptly over the phone. When you call, please have all relevant information, such as model number and/or part numbers.

Call our Customer Service Department:

CANADA ONLY: Toll Free Number 1-800-55HAGEN (1-800-554-2436)Between 9:00 AM and 5:00 PM Eastern Time.

U.S. ONLY: Toll Free Number 1-800-724-2436Between 9:00 AM and 4:00 PM Eastern Time.

U.K. ONLY: Helpline Number 01977 556622Between 9:00 AM and 5:00 PM.

AUTHORIZED WARRANTY REPAIR SERVICE

If this product is defective, return it along with proof of purchase to either the store where you bought it or to:

CANADA: Rolf C. Hagen Inc., 3225 Sartelon St., Montreal, Quebec H4R 1E8

US: Rolf C. Hagen (USA) Corp., 50 Hampden Road, Mansfield, MA 02048-1892

U.K.: Rolf C. Hagen (UK) Ltd., California Dr. Whitwood Ind. Est.,
Castleford, West Yorkshire WF10-5QH

For general information on our whole product range, explore our website at:

www.hagen.com

Service après-vente

Si cet appareil vous semble défectueux ou que vous vous posez des questions quant à son fonctionnement, n'hésitez pas à communiquer avec nous avant de le retourner au marchand. Notre ligne téléphonique nous permet de régler la plupart des problèmes. S.V.P. ayez à la main tous les renseignements pertinents (p. ex. le numéro du modèle ou de la pièce).

SEULEMENT AU CANADA : Info-service sans frais : 1 800 55HAGEN (1 800 554-2436)Entre 9 h et 17 h (HNE)

FRANCE: Tel: (33) 01.64.88.14.18

RÉPARATION D'UN ARTICLE SOUS GARANTIE

Si l'appareil est défectueux, le retourner avec une preuve d'achat à l'animalerie de votre région ou à :

CANADA: Rolf C. Hagen Inc., 3225, rue Sartelon, Montréal, Québec H4R 1E8

FRANCE: Rolf C. Hagen (France) SA., Service à la clientèle,
Parisud 4, boulevard Jean Monnet, Combs la Ville, F-77388

Si vous désirez des renseignements sur notre gamme de produits, n'hésitez pas à visiter notre site Web au :

www.hagen.com

Kundendienst

Wenn dieses Produkt fehlerhaft sein sollte, geben Sie es zusammen mit dem Kaufnachweis entweder an Ihren örtlichen Händler oder senden Sie es mit im voraus bezahlten Versandkosten an:

Hagen Deutschland GmbH & Co. KG

Lehmweg 99 - 105

D-25488 Holm

KUNDENDIENST

Bei Problemen wenden Sie sich bitte an Ihren örtlichen Lieferanten oder den Kundendienst:

Hagen Deutschland GmbH & Co. KG, Lehmweg 99-105, D-25488 Holm

Mehr Informationen über unser gesamtes Produktprogramm

erhalten Sie auf unserer Website:

www.hagen.com

Servicio

Si tiene usted algún problema o pregunta acerca del empleo de este producto, permítanos ayudarle antes de devolver el producto a la tienda. La mayoría de los problemas pueden resolverse inmediatamente, mediante una simple llamada telefónica.

Cuando nos llame (o nos escriba) dénos toda la información más pertinente: número de modelo y/o número de piezas.

Llame a nuestro departamento de Servicio a la Clientela:

SÓLO EN CANADÁ: Línea gratuita 1-800-551HAGEN (1-800-554-2436)Entre las 9h00 y las 17h00 hora del Este.

SÓLO EN LOS EE.UU.: Línea gratuita 1-800-724-2436Entre las 9h00 y las 16h00 hora del Este.

SÓLO EN EL R.U.: Línea de ayuda 01977-556622Entre las 9h00 y las 17h00.

SERVICIO AUTORIZADO DE REPARACIÓN BAJO GARANTÍA

Si este producto resultase ser defectuoso, devuélvalo junto con la factura al comercio donde fue adquirido o bien a:

CANADA: Rolf C. Hagen Inc., 3225 Sartelon St., Montreal, Quebec H4R 1E8

E.E.U.U.: Rolf C. Hagen (USA) Corp., 50 Hampden Road, Mansfield, MA 02048-1892

R.U.: Rolf C. Hagen (UK) Ltd., California Dr. Whitwood Ind. Est.,
Castleford, West Yorkshire WF10-5QH

Para información general sobre la gama completa de nuestros productos.

Visite nuestro sitio web: www.hagen.com

MADE IN ITALY

Distributed by:

CANADA: ROLF C. HAGEN INC.

3225 rue Sartelon, Montréal, Québec, Canada H4R 1E8

USA: ROLF C. HAGEN (USA) CORP.

Mansfield, MA 02048, USA

UK: ROLF C. HAGEN (UK) LTD.

California Drive, Whitwood Industrial Estate, Castleford,
West Yorkshire, WF10 5QH, England

DEUTSCHLAND: HAGEN DEUTSCHLAND

Lehmweg 99-105, 25488 Holm / Kreis Pinneberg, Deutschland.

FRANCE: ROLF C. HAGEN (FRANCE) SA.

F-77388 Combs la Ville

www.hagen.com