

SAVIO Livingponds Filter™

Operating Manual & Specifications

SAVIO Livingponds Filters™ are the highest quality, most advanced technology to help maintain clear water and remove free floating wastes and toxin. Please review entire instructions thoroughly prior to installation or operation.



Model F100
SAVIO Livingponds
Waterfall Filter™



Model F200
SAVIO Livingponds
Versatile Filter™



Use height to raise filter to above height

Save a Aquatic Filter PVC™



A free copy of

SAViO Livingponds™ Design and Construction Guide is included with your filter to help you build a beautiful, low-maintenance Livingpond.™

Two models of SAViO Livingponds Filters™ are available. Either one can create a waterfall. Waterfall model F100 creates an instant waterfall drape or curtain. Versatile model F200 can discharge directly into the top of the waterfall or be placed remotely.

Tools Needed

Phillips Screw Driver	Utility Knife
Shovel	Level
Measuring Tape	Large Wrench
Flex PVC Glue	Teflon Tape
Flex PVC Primer	

Bottom Drain Accessories (See page 7)

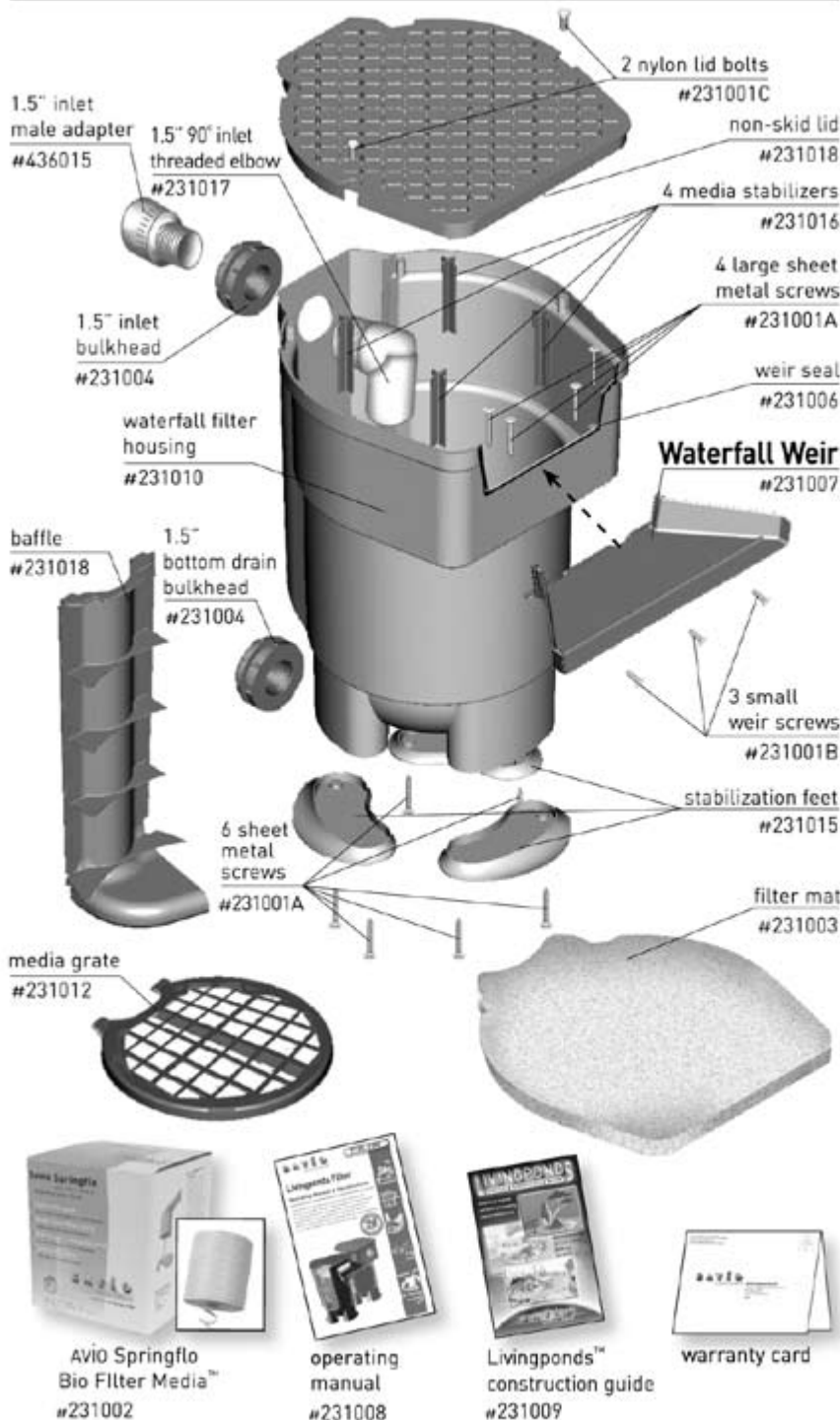
Optional bottom drain equipment (purchase separately):

- 1.5" Knife Valve
- 1.5" Male Adapter
- 1.5" SAViO Aqua Flex PVC™
- Teflon Tape

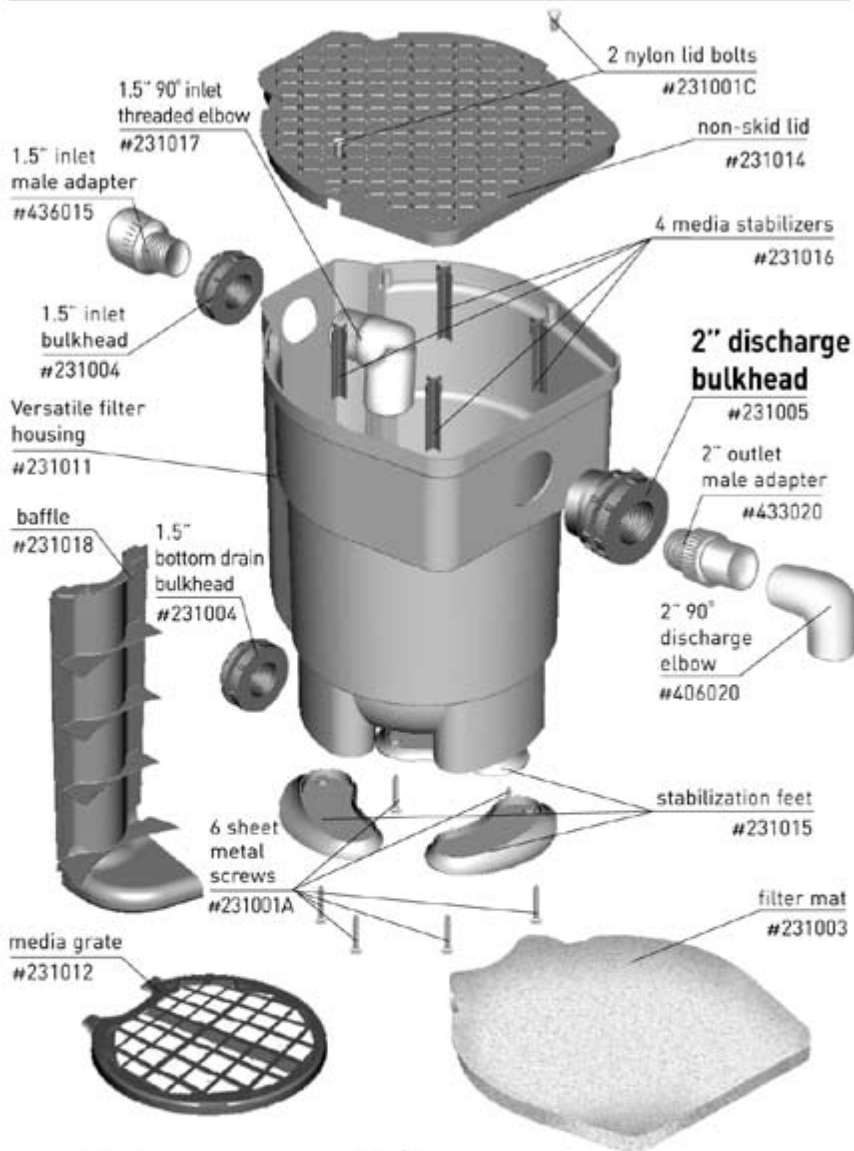
Operating Capacities

SAViO Livingponds Filter™ models F100 & F200 are effective as the sole source of filtration for ponds up to 5,000 gallons. Operate the filter 24 hours a day throughout the season. Maximum pump flow for SAViO Livingponds Waterfall Filter™ model F100 is 5,000 GPH. Maximum pump flow for SAViO Livingponds Versatile Filter™ model F200 is 4,000 GPH. For expanded filtration use multiple units (Illustrated on page 12). Complement your SAViO Livingponds Filter™ with a SAViO Skimmerfilter™ to further reduce maintenance and improve water quality.

Model F100 Waterfall Filter Components



Model F200 **Versatile Filter Components**



Avio Springflo
Bio Filter Media™
#231002



operating
manual
#231008



Livingponds™
construction guide
#231009



warranty card

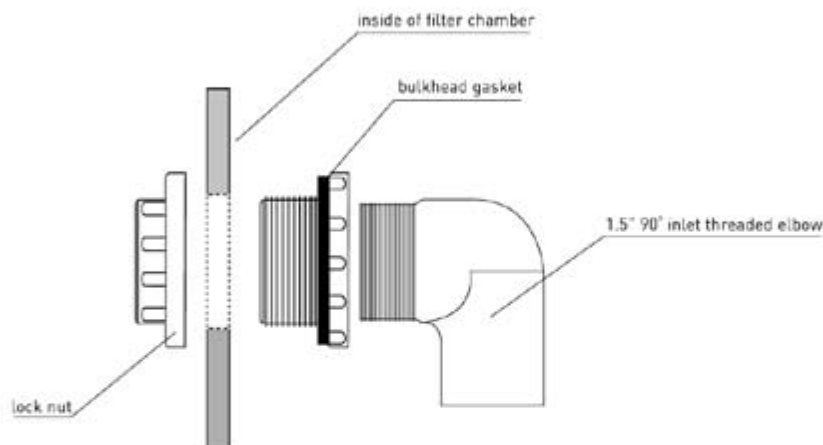


Filter Assembly

Follow the instructions below to attach the bulkheads to the filter housing. Set aside internal components for later installation.

Attach Bulkheads

To attach inlet and bottom drain bulkheads put the gaskets and large side of the bulkheads on the inside of the filter housing. Install the lock nut on the outside with the smooth surface facing the filter housing. Lock nuts are reverse threaded so tighten with counterclockwise motion.



Model F200 Versatile Filter Outlet:

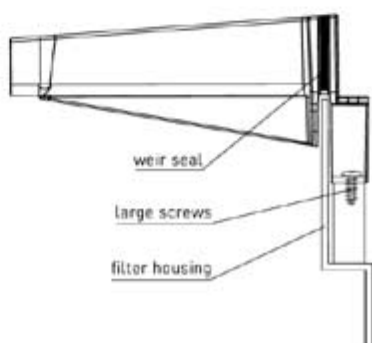
Attach the outlet bulkhead with the gasket and large side of the bulkhead on the **outside** of the filter housing [see page 8 for details].

Attach Waterfall Weir

(Model F100 Waterfall Filter Only)

Put waterfall weir into place. Ensure weir seal (part #231006) is firmly compressed between weir and filter chamber with flat side of seal facing toward filter. Insert and gently tighten 4 large sheet metal screws (part #231001A) into holes in filter. Do not over tighten the screws (weir mounts will *not* contact filter mounts).

Waterfall Weir Side View



Filter Placement

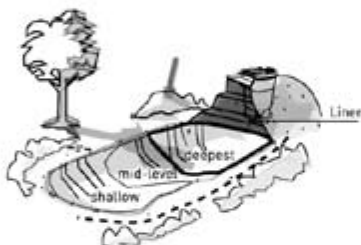
- 1) Locate Savio Livingponds Filter™ at the top of the waterfall. (To install at a lower point or at a remote location see Remote Installation on page 10.)
- 2) Compact the filter site $\frac{1}{4}$ " lower in front than in back so when the filter is placed it tilts slightly toward the pond.

3) Level filter from side to side.

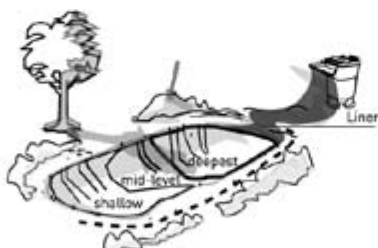
TIP: Use multiple filters to increase filtration (see Alternate Installations page 12).

Filter Placement Options

Waterfall Filter
Model F100

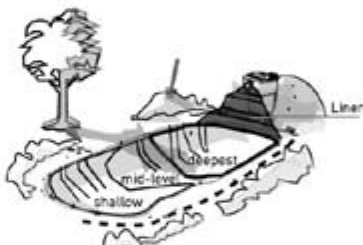


Filter at top of waterfall.

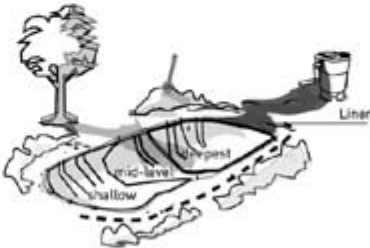


Filter at top of stream.

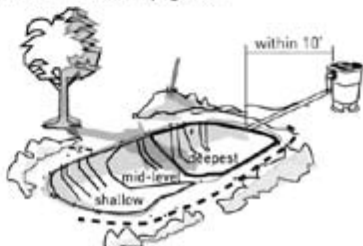
Versatile Filter
Model F200



Filter at top of waterfall attached directly to liner.



Filter with discharge piping attached.
(Remote Installation page 10)



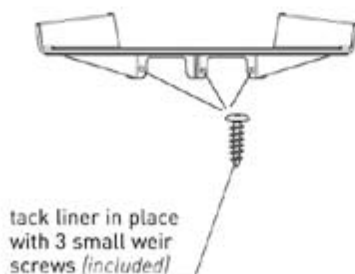
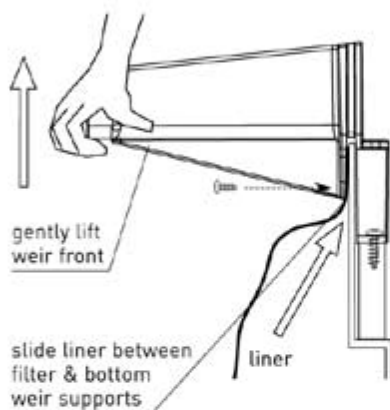
Filter placed remotely within 10' of pond.
(Remote Installation page 10)

Bury Filter

Place the lid on LivingPonds Filter.™ Use clump-free loose soil from pond excavation to create waterfall runway and hide filter. Bury unit up to waterfall or pipe discharge but leave accessible for routine maintenance. Hand pack soil every 2"- 3". Upon completion lightly moisten soil to aid compaction and reduce settling. Avoid over compaction that could damage or distort the filter housing.

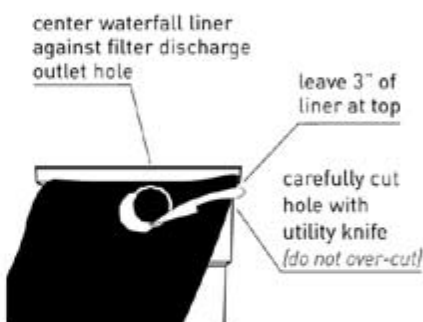
Attach Liner

Waterfall Model F100

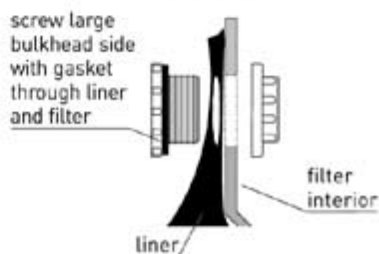


Versatile Model F200

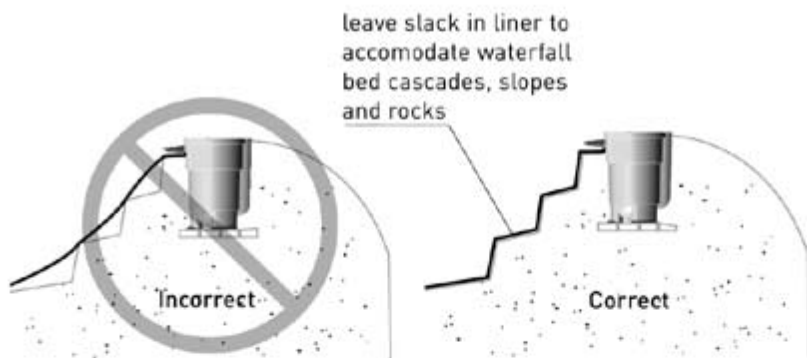
Attach waterfall liner directly to front of the filter chamber. (Remote & pipe discharged options see page 10).



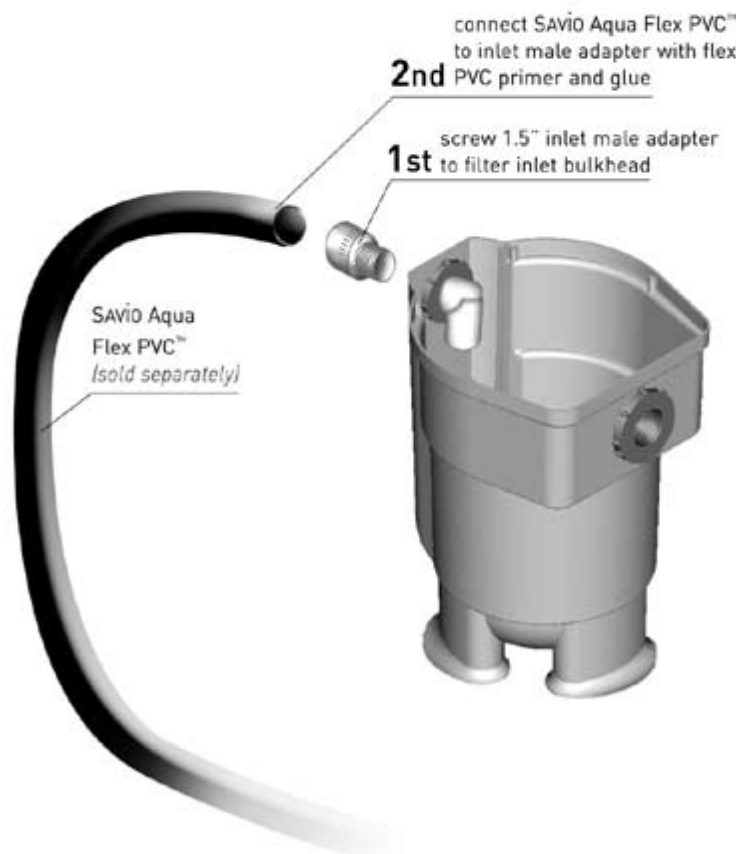
Side View



Attach Liner

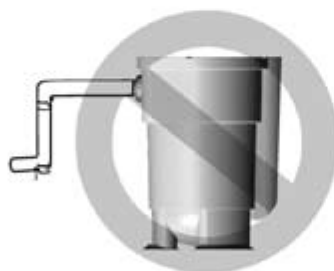
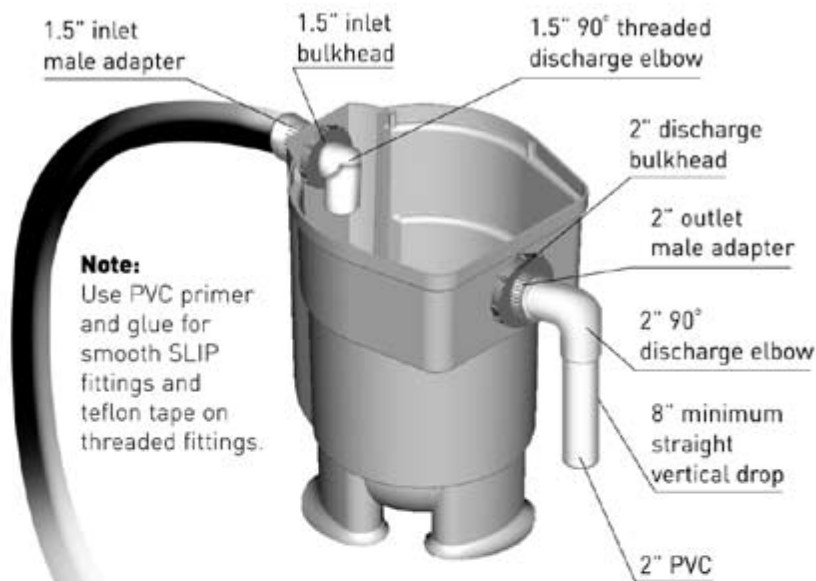


Connect Plumbing



Versatile Filter Remote Installation

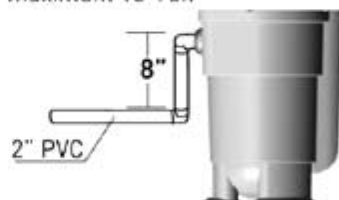
Add discharge piping for SAVIO Versatile Filter™ model F200 applications where the filter is not directly discharging into the waterfall.



Incorrect



maximum 10' run



Correct

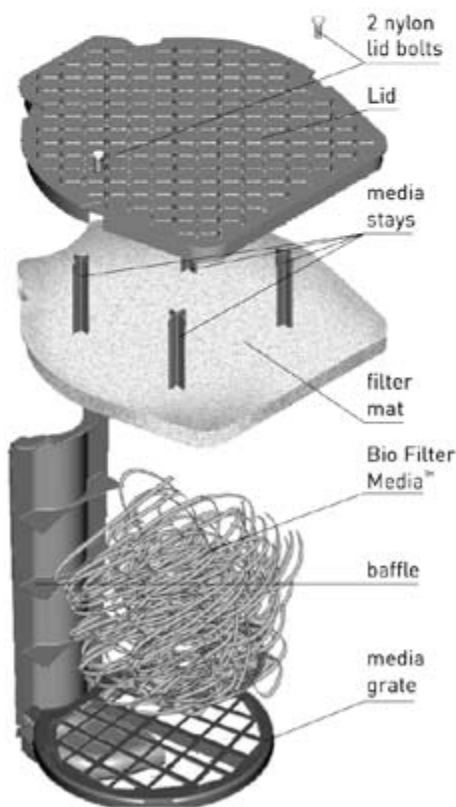


SAVIO Versatile Filter™



Final Assembly

- 1) Slide baffle down grooves inside filter.
- 2) Lower media grate into position.
- 3) Hold SAVIO Springflo Bio Filter Media™ pull from the bottom center of the roll, media will self dispense to fill filter chamber.
- 4) Place filter mat pad on top of the SAVIO Springflo Bio Filter Media™.
- 5) Insert media stabilizers into underside of lid.
- 6) Secure lid with nylon bolts provided.
- 7) Turn on pump. Allow filter to fill.
- 8) Add SAVIO Natural Beneficial Bacteria™ (purchase separately).



Alternate Installations

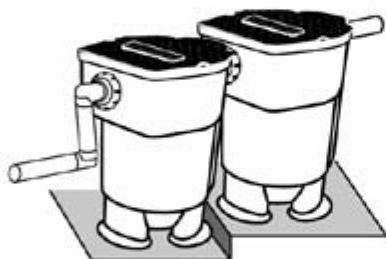
Multiple Filters

Run one or more units to increase filtration and/or waterfall effects



Two SAViO Livingponds Waterfall Filters™ operating in tandem.

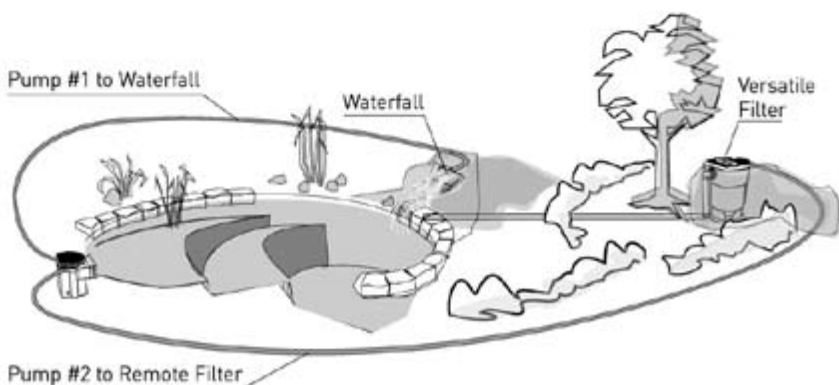
Two SAViO Livingponds Versatile Filters™ operating in series.



SAViO Livingponds Versatile Filter™ operating in series with Waterfall Filter.

Remote Location

If necessary the SAViO Livingponds Versatile Filter™ can be installed at a lower point, separate from the waterfall, using its own pump.



Pump #2 to Remote Filter

Start Ecosystem

Once the pond is complete add SAVIO Natural Beneficial Bacteria™ to help establish and maintain the pond (sold separately). The living bacteria develop on filter media, waterfall bed and pond liner. They help control green water, chemical toxins and pond waste. After four days fish can be added.

It takes approximately four weeks for bio-filter establishment. During that time feed lightly and do not add more fish to the original starter group until four weeks have passed and the water is tested for nitrite and ammonia.

Add SAVIO bacteria monthly, when cleaning the filter, after water changes and when handling fish. The unique formulation helps break down waste, remove toxins, reduces maintenance and protects fish.

Filter Maintenance

Filter cleaning is typically required two or three times a year if the filter is properly sized and the pond is not overstocked. Once the pond is established SAVIO Springflo Bio Filter Media™ (included) is coated with healthy living bacteria. Avoid over cleaning which shocks beneficial bacteria, interferes with filter performance and pond health. Do not use chlorinated water, hot water, chemicals or dry the media.

Filter Maintenance

- 1) Shut off the pump.
- 2) Remove the Livingponds Filter™ lid.
- 3) Remove filter mat and gently rinse in a bucket of water.
When possible use water from the pond to clean off the pad.
- 4) Reach in and vigorously shake the Springflo media to dislodge debris.
- 5) Drain or empty dirty water from the filter.
- 6) Return the filter mat to the filter.
- 7) Turn on the pump and re-start system.

Step 1: Add SAVIO Natural Beneficial Bacteria



Step 2: Wait 4 weeks for bio-filter establishment



Step 3: Clean the filter



Step 4: Turn on the pump



Step 5: Add SAVIO Natural Beneficial Bacteria



Step 6: Wait 4 weeks for bio-filter establishment



Step 7: Add SAVIO Natural Beneficial Bacteria

Step 8: Wait 4 weeks for bio-filter establishment

Equipment Winterization

Prepare for winterization when ice persistently develops on the pond. This generally occurs in mid-to-late November in zones 4-6. Keep equipment winterized until late February or early March when water temperature consistently rises to 40° Fahrenheit or higher.

Filter Winterization

- 1) Disconnect, clean and store submersible pump.
- 2) Completely clean and drain filter and filter media.
- 3) Drain plumbing lines not buried below frost level
(18"-24" in agricultural zones 4-6).
- 4) Use plumber's heat tape on pipes and shut off valves. Insulate pump house and exterior pumps and valves.

Replacement Parts

part #	Item	Qty
231001A	large sheet metal screws	10
231001B	small weir screws	3
231001C	nylon lid bolts	2
231002	SAVIO Springflo Bio Filter Media™	1
231003	filter mat	1
231004	1.5" bulkheads	2
231005	2" discharge bulkhead (model F200)	1
231006	weir seal (model F100)	1
231007	waterfall weir (model F100)	1
231008	instruction manual	1
231009	Livingponds™ Design & Construction Guide	1
231010	waterfall filter housing (model F100)	1
231011	versatile filter housing (model F200)	1
231012	media grate	1
231013	tower	1
231014	non-skid lid	1
231015	stabilization feet	3
231016	media stabilizers	4
231017	1.5" 90° inlet threaded elbow	1
231018	baffle	1
406020	2" 90° discharge elbow (model F200)	1
433020	2" outlet male adapter (model F200)	1
436015	1.5" inlet male adapter	1

Customer Service Information

SAVIO
EXCELLENCE

Savio Engineering, Inc.

<http://www.savio.cc>

Email: support@savio.cc

P.O. Box 23690, Santa Fe, NM 87502 USA

Warranty [Send in your warranty card]

To activate your warranty and receive free Water Gardening Newsletters [optional] send in the enclosed warranty card. Savio Engineering, Inc. provides a manufacturer's limited warranty of 5 years from original purchase date. Warranty is non-transferable. Within the warranty period Savio will repair materials with manufacturing deficiencies at their discretion. This warranty does not cover any faults caused by improper use, installation and handling of the device or as a result of wear and tear. Savio Engineering, Inc. does not assume liability for consequential damage caused by the failure of the Livingponds Filter™. Warranty is void if the product is not used in accordance with instructions. For warranty claims, please contact customer service. Ship the device in the original packaging to avoid transport damage. Savio is not responsible for damage resulting from shipping.

Savio water gardening products for healthy, clean Livingponds.™



Savio Skimmerfilters™



Savio Natural Barley Extract™



Savio Springflo Bio Filter Media™



Savio Livingponds Filters™



Savio Beneficial Bacteria™



Savio Mud Sweeper Vacuum™



Savio Aqua Flex PVC™



Savio Stainless Steel Submersible Pumps™



Savio Automated Water Level Sensor™

See Aqua Flex PVC™
by Depth
40%
min 20cm
1 year
40 P Star™
best results for 10-15 days
Pipes provided
See Aqua Flex PVC™