

UltraViolet Clarifier™

for use with SAViO Skimmerfilter™

Operating Manual & Specifications

SAViO UV Clarifiers™ provide unparalleled water clarity. UVs enhance the filtration capacity of SAViO Skimmerfilters.™ They provide safe, effective filtration and cost only pennies per day to operate.

Please review entire instructions thoroughly prior to installation and initial use. This unit is not for use with SAViO Compact Skimmerfilters.™



When introducing **SAViO Natural Beneficial Bacteria™** into a pond, turn off UV clarifiers for 24 hours to allow bacteria to settle.

Warranty (Send in your warranty card)

To activate your warranty send in the enclosed warranty card. SAVio Engineering, Inc. provides a manufacturer's limited warranty of 1 year from original purchase date. Warranty does not cover consumables or wear items such as bulbs, sleeves or o-rings. Warranty is non-transferable. Within the warranty period SAVio will repair materials with manufacturing deficiencies at their discretion. This warranty does not cover any faults caused by improper use, installation and handling of the device or as a result of wear and tear. SAVio Engineering, Inc. does not assume liability for consequential damage caused by the failure of the SAVio UV Clarifier™. Warranty is void if the product is not used in accordance with instructions. For warranty claims, please contact your dealer. SAVio is not responsible for damage resulting from shipping.

Important Safety Instructions

Water and electricity can be deadly when combined. This unit can pose significant risk of bodily harm if used incorrectly. Please read the following instructions carefully.



WARNING - ELECTRICAL SHOCK HAZARD.

- **Never immerse the entire UV unit in water.**
- UV must be used in conjunction with a ground fault current switch (GFCI). (If you do not have a GFCI, contact a licensed electrician before using the UV.)
- If the UV's internal components get wet, unplug the unit immediately.
- If quartz sleeve shows signs of leakage unplug the unit immediately.
- Do not operate UV with a damaged cord or plug, if it has been dropped, or is malfunctioning.
- Do not attempt repairs on a damaged transformer unit.
- Always unplug unit when not in use and prior to servicing it.
- Never remove the UV from the Skimmerfilter™ by pulling on the cord.
- Always pull the plug from the outlet, never pull the cord.

UV Light Warning

- Do not operate UV unless it is fully installed in the SAVio Skimmerfilter™.
- UV lamps emit radiation that is harmful to eyes and skin. Do not look directly at UV while in operation.
- UV lamps and quartz sleeves are made from glass and must always be handled with caution.
- Never directly touch the UV bulb - oil from your fingers can shorten bulb life.
- Closely supervise children around all pond equipment.
- This SAVio UV Clarifier™ is for use solely in SAVio Skimmerfilters™. Do not use in any other environment.

UV Components

UV transformer
assembly

#RU2501
or
#RU5701

quartz sleeve
#RU2505

o-ring gasket

(not shown) #RU2504

UV gasket

(not shown) #RU2503

compression nut

#RU2506

UV bulb

#RU2502
or
#RU5702

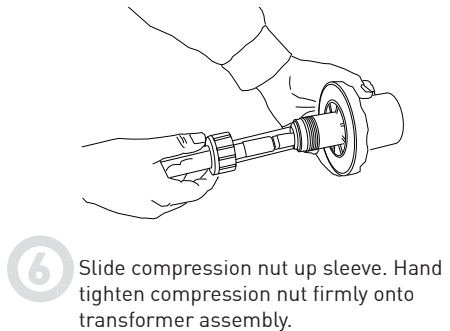
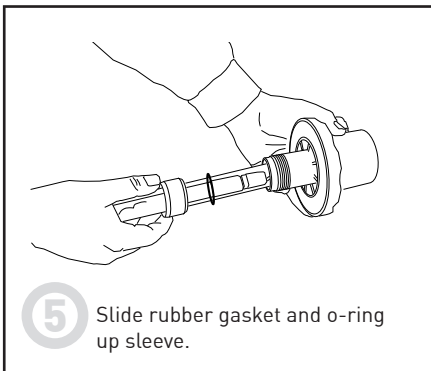
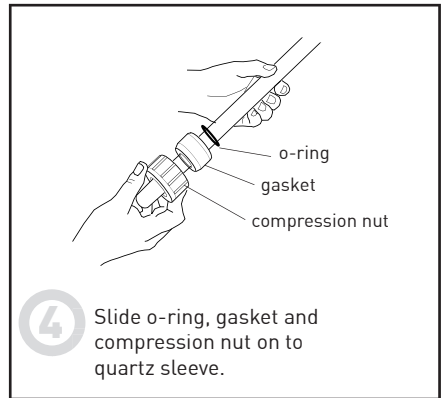
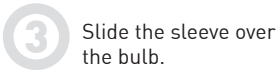
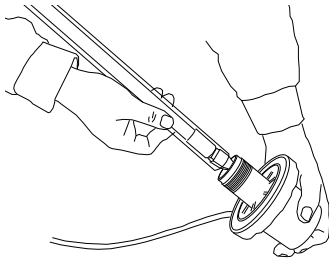
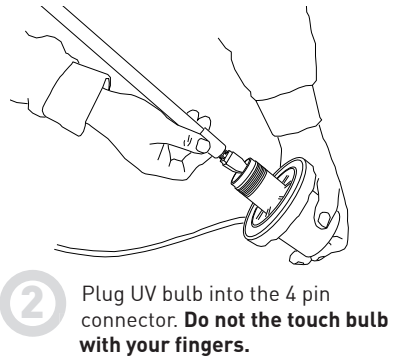
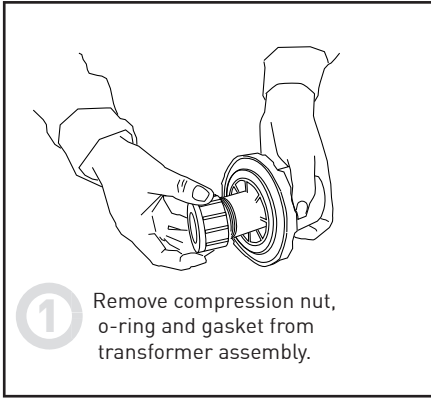
Model SUV025
Model SUV057

Pre-Installation

Examine all parts while unpacking. Carefully inspect quartz sleeve and UV lamp for damage incurred during shipping. If unit appears damaged, return it to your dealer for replacement.

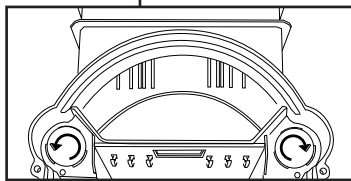
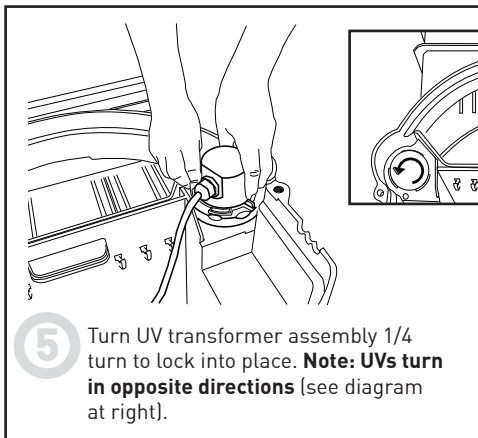
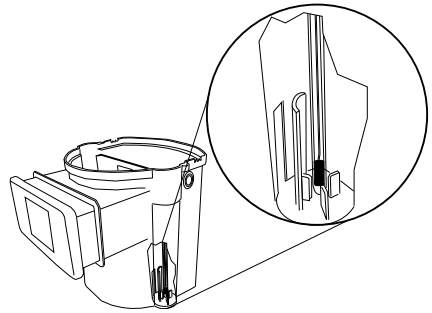
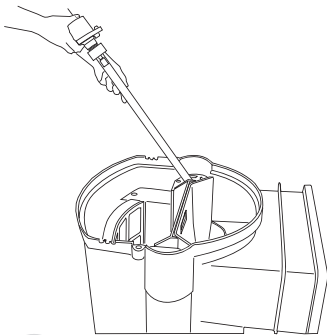
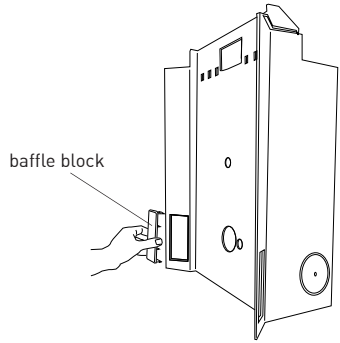
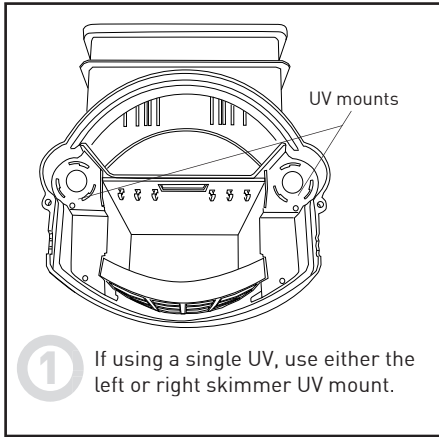
Assembly

To assemble your UV follow this procedure.



Installation

To install one or two UVs in your Skimmerfilter™ follow the instructions provided below.



Recommended Flow Rates

For green water clarification, the pump needs to flow the total volume of pond water past the UV no slower than every two hours.

25 Watt UV	
minimum	50% of total volume of pond water per hour (gph)
maximum	2500 gph per bulb
57 Watt UV	
minimum	50% of total volume of pond water per hour (gph)
maximum	4750 gph per bulb

Use two UVs for increased clarification.

Maintenance

Prior to performing any maintenance always unplug the UV. Use caution when removing or replacing bulbs.

Every Three Months:

Quartz sleeves should be wiped with a clean cloth & rinsed with clean water.

Annually or As Needed:

Replace UV bulb every 12 months for optimal water clarity. The o-ring and gasket should be replaced with each bulb change to prevent moisture from entering the quartz sleeve.

Winterizing

Allowing the UV to freeze can result in breakage to the quartz sleeve and bulb. Winterize pond equipment before ice develops on the pond. Keep equipment winterized until spring when the water temperature rises to 40°F or higher consistently.

To winterize UV:

- 1) Disconnect electrical connections.
- 2) Remove the UV from the Skimmerfilter™.
- 3) Dry UV unit thoroughly and clean quartz sleeve.
- 4) Store indoors in a safe place.

Replacement Parts

Replacement parts for UV Clarifier:

part #	Item	Qty
RU2501	25 watt transformer assembly	1
RU2502	25 watt replacement UV bulb	1
RU5701	57 watt transformer assembly	1
RU5702	57 watt replacement UV bulb	1
RU2503	UV gasket	1
RU2504	o-ring gasket	1
RU2505	quartz sleeve	1
RU2506	compression nut	1

Troubleshooting

Faults	Possible Causes	Remedies
UV lamp not operating.	<ul style="list-style-type: none">a) UV is not plugged in.b) GFCI switch (ground fault circuit interrupt) has tripped.c) Domestic fuse has blown.d) UV bulb has blown.e) UV transformer has failed.	<ul style="list-style-type: none">a) Connect UV plug.b) Reset GFCI. If this occurs often consult an electrician.c) Replace fuse or reset circuit breaker. If this occurs often consult an electrician.d) Replace bulb.e) Replace transformer.
Water in quartz sleeve.	<ul style="list-style-type: none">a) Quartz sleeve is damaged.b) Compression nut and gaskets are loose.c) UV gasket or o-ring are worn.	<ul style="list-style-type: none">a) Check quartz sleeve for cracks. If damaged, replace.b) Remove UV. Allow unit to dry thoroughly before use. Tighten compression nut firmly by hand.c) Replace UV gasket and o-ring every 12 months or with every bulb change.
Excessive mineral build up on quartz sleeve.	Clean or replace quartz sleeve.	See dealer for replacement parts.

Customer Service Information



Savio Engineering, Inc.

8 Water Garden Way
Santa Fe, NM 87508 USA

<http://www.savio.cc> • email: support@savio.cc

Innovative, precision engineered solutions

Advanced water gardening products for healthy, clean living ponds.



Skimmerfilters™



Livingponds Filters™



Pond Packages



Ultraviolet Clarifiers



Water Master Pumps™



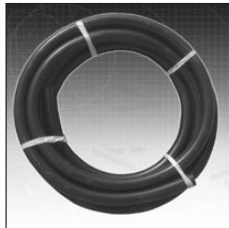
Automated Water
Level Sensor™



Springflo Bio Filter
Media™



Greenex® Micro Granules



Aqua Flex PVC™



Black Foam



Water Treatments