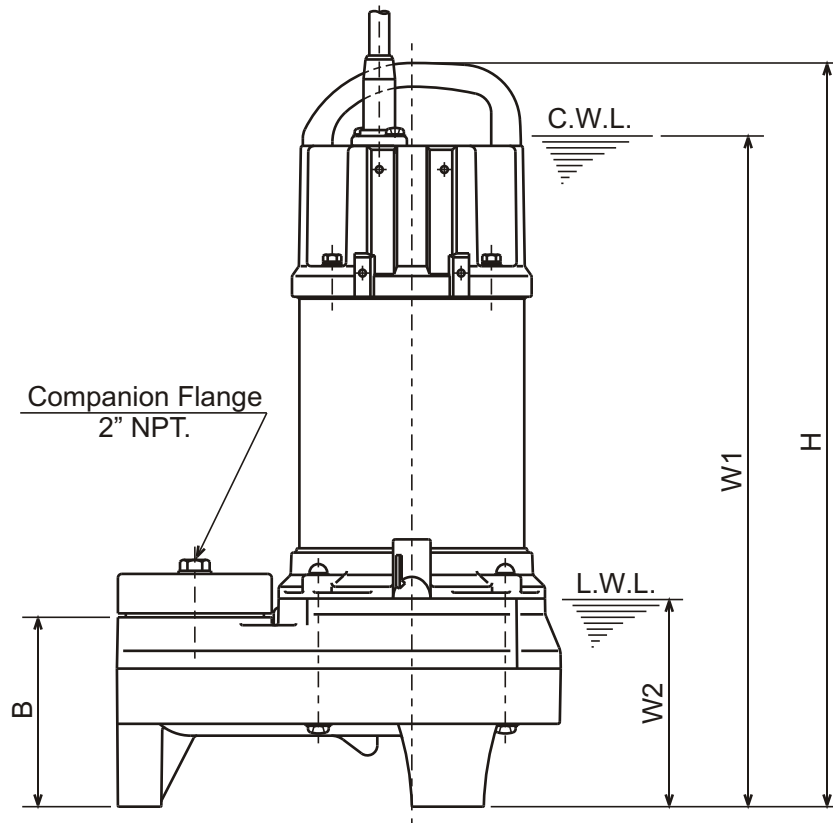
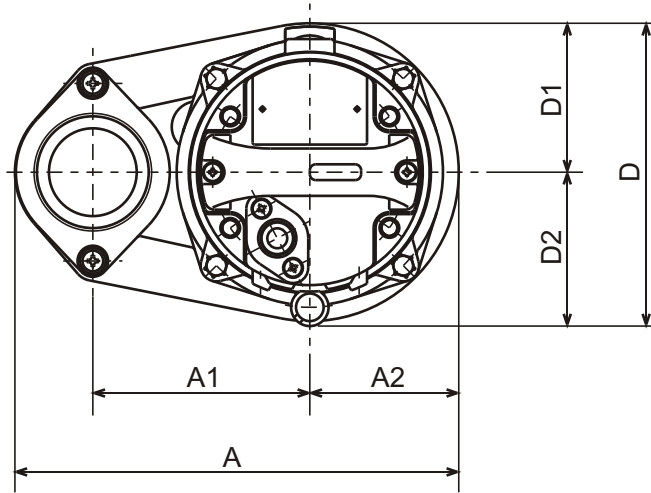




**VANCS-SERIES - PU**  
**(FRP) SEMI-VORTEX - WATER FEATURE PUMPS**

**DIMENSIONS**

**2PU**



C.W.L. : Continuous running Water Level  
 L.W.L. : Lowest running Water Level

**DIMENSIONS :USCS (Inch)**

Model	HP	NOM. SIZE	Pump & Motor								C.W.L.	L.W.L.	Wt. (lbs.)
			A	A1	A2	B	D	D1	D2	H	W1	W2	
2PU	1/5	2"	8 7/8	4 5/16	3	3 3/4	6 1/16	3	3 1/16	14 13/16	13 3/8	4 1/8	13.4

**DIMENSIONS :METRIC (m m)**

Model	kW	NOM. SIZE	Pump & Motor								C.W.L.	L.W.L.	Wt. (kg)
			A	A1	A2	B	D	D1	D2	H	W1	W2	
2PU	0.15	50	225	110	76	96	154	76	78	377	340	105	6.1