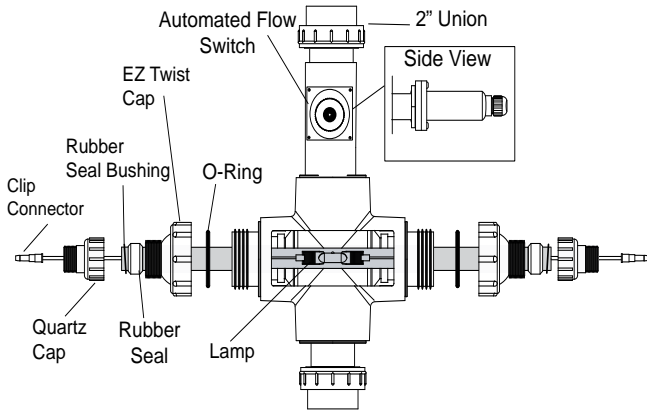
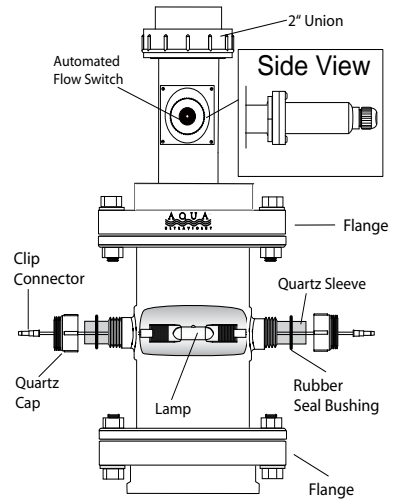


VIPER REPLACEMENT PARTS

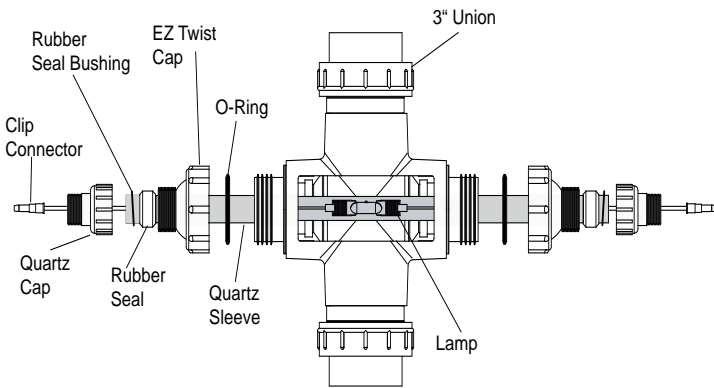
400 Watt
2" Plastic



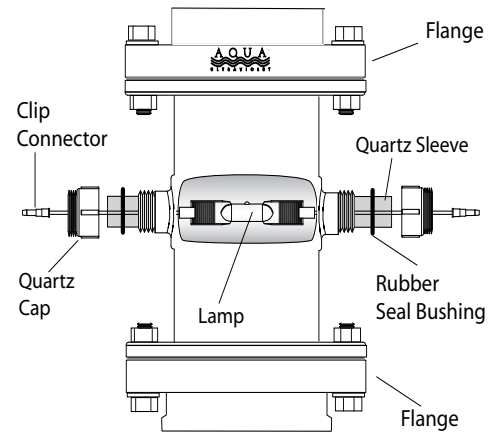
400 Watt
2" Stainless Steel



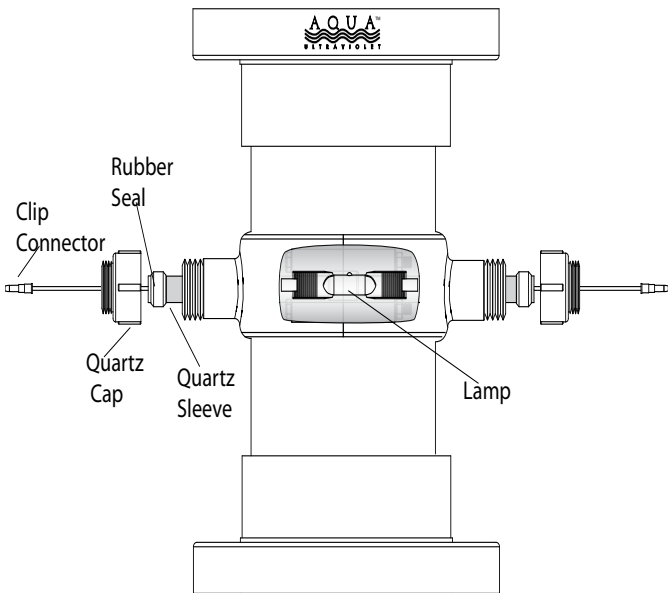
400 Watt
3" Plastic



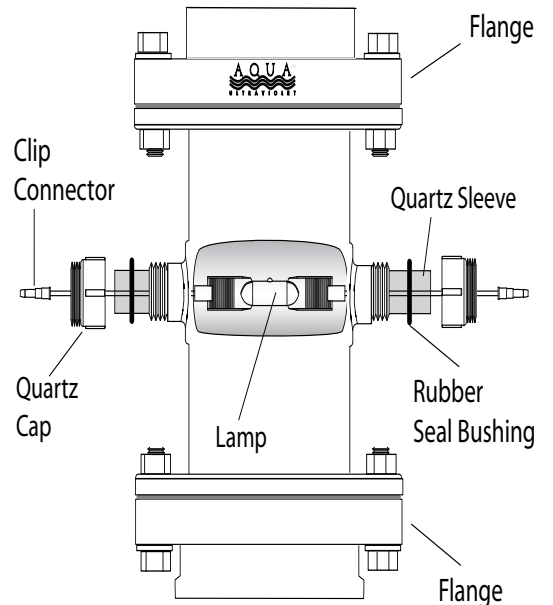
400 Watt
3" Stainless Steel



400 Watt
6" Plastic

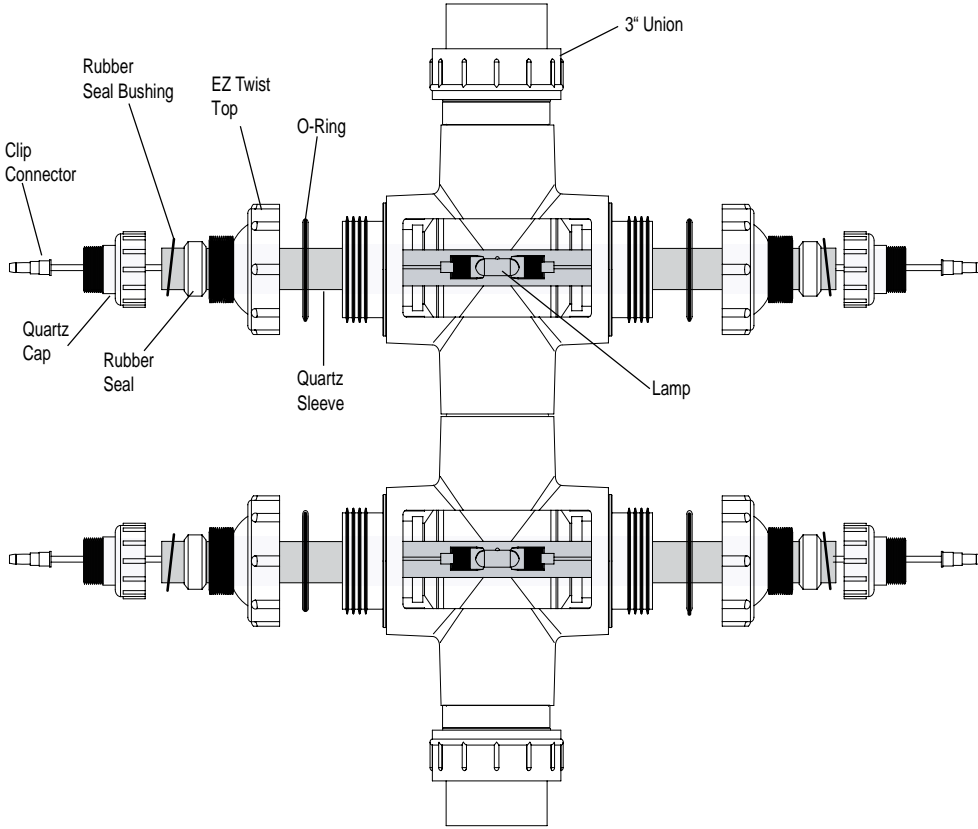


400 Watt
6" Stainless Steel

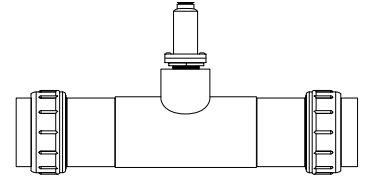


VIPER REPLACEMENT PARTS

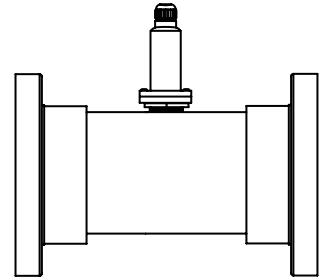
800 WATT
3" Plastic Multi Unit



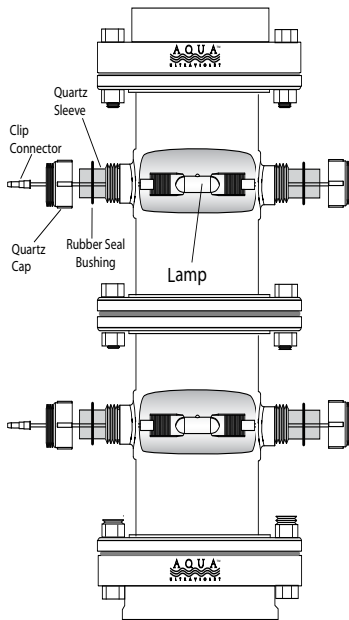
3" Flow Switch



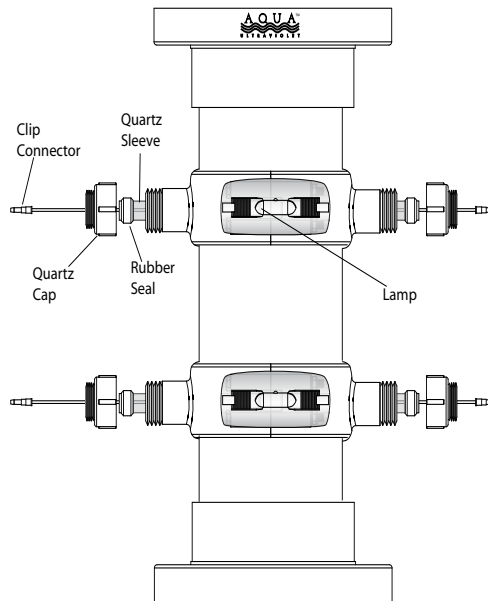
6" Flow Switch



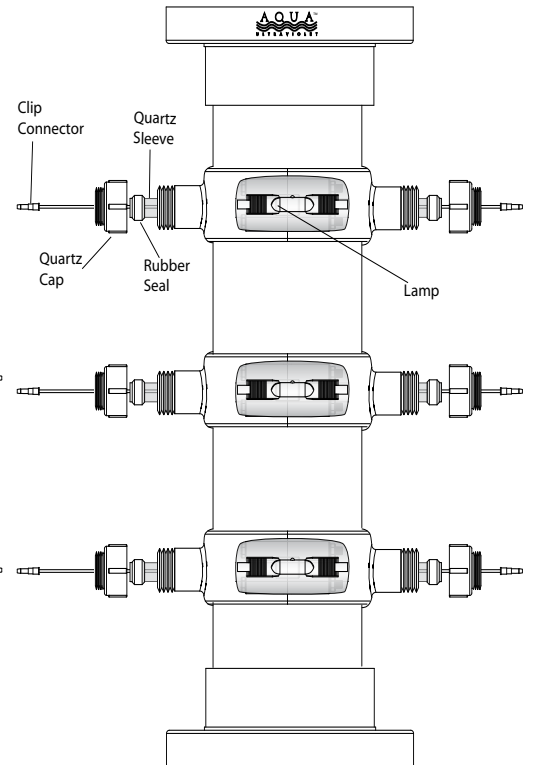
800 WATT
3" Stainless Steel Multi Unit



800 WATT
6" Plastic Unit

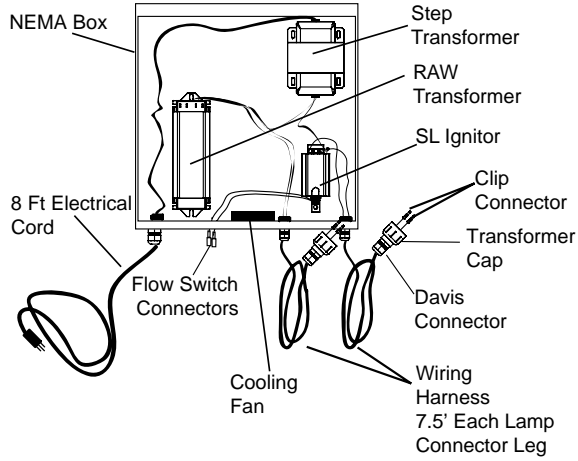


1200 WATT
6" Plastic Unit

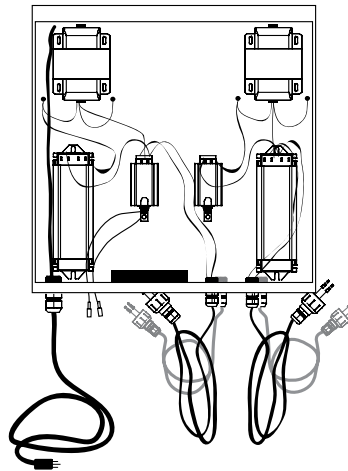


VIPER REPLACEMENT PARTS

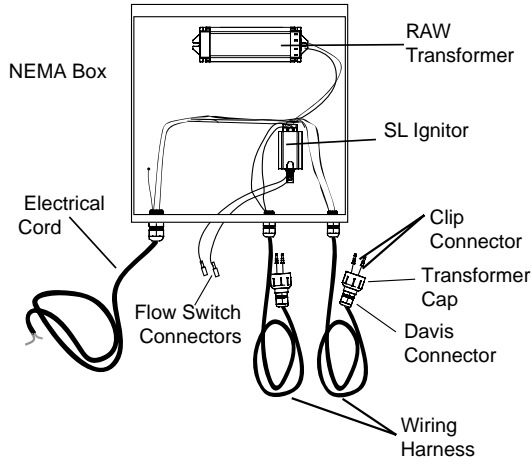
Viper 400 Trans 110V-60Hz



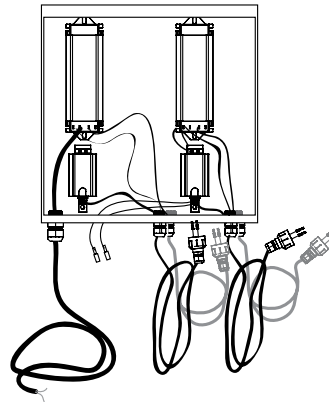
Viper 800 Trans 110V-60Hz



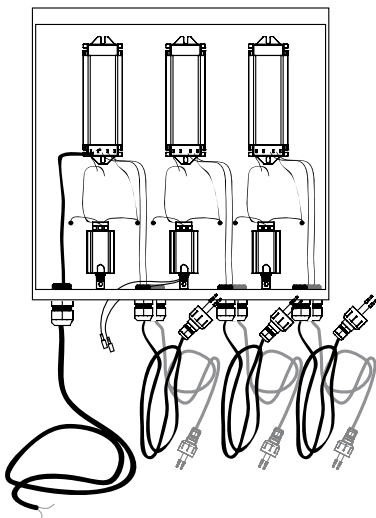
Viper 400 Trans 208/220/240V-60Hz



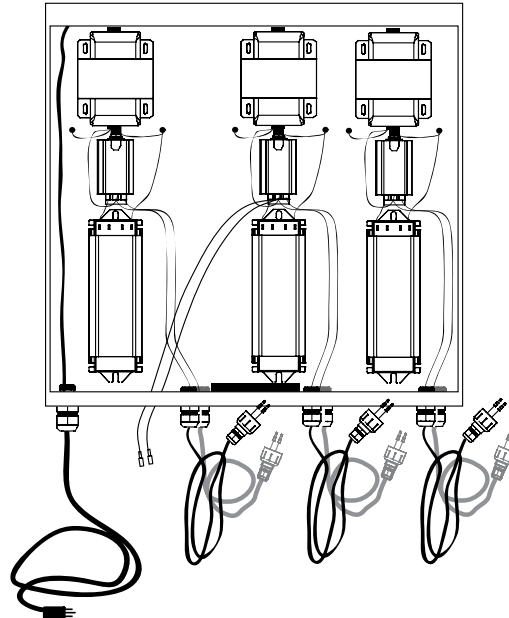
Viper 800 Trans 208/220/240V-60Hz



Viper 1200 Trans 208/220/240V-60Hz



Viper 1200 Trans 110V-60Hz



VIPER REPLACEMENT PARTS

| | | | |
|--------|--|--------|--|
| A40061 | Clip Connectors for Viper Lamps, Male/Female | A40139 | Quartz Cap for Viper 2" / 3" Plastic Units White |
| A40115 | Quartz Cap For Viper Stainless Steel Units (Clear) | A40142 | Quartz Cap for Viper 6" Plastic Units (Grey) |
| A40015 | Rubber Seal Bushing (O-Ring) for Viper - SS Unit | A40006 | Rubber Seal for Viper 400 |
| A40016 | Rubber Seal For Viper 800/1200 | A40174 | EZ Twist Top With Black O-Ring, for Viper |
| A40014 | O-Ring for EZ Twist Top | | |

LAMP KITS FOR VIPERS:

Includes: The Lamp, Quartz Sleeve in the Indicated Size, Rubber Seal Bushing and Rubber Seal

| | | | |
|--------|---|--------|---|
| A20402 | Lamp Kit For Viper 400W 2" Stainless Steel (6.5" QS) 1/Set | A20404 | Lamp Kit For Viper 400W 2" Plastic (15.5" QS) 1/Set |
| A20403 | Lamp Kit For Viper 400W 3" Stainless Steel (8" QS) 1/Set | A20406 | Lamp Kit For Viper 400W 3" Plastic (15.5" QS) 1/Set |
| A20412 | Lamp Kit For Viper 400W 6" Stainless Steel (14" QS) 1/Set | A20401 | Lamp Kit For Viper 400W 6" Plastic (14" QS) 1/Set |
| A20802 | Lamp Kit For Viper 800W 3" Multi-Unit S/S (8" QS) 2/Sets | A20800 | Lamp Kit For Viper 800W 6" Plastic (14" QS) 2/Sets |
| A20801 | Lamp Kit For Viper 800W 3" Multi-Unit Plastic (15.5" QS) 2/Sets | A21200 | Lamp Kit For Viper 1200W 6" Plastic (14" QS) 3/Sets |

VIPER TRANSFORMER PARTS

| | | | |
|---------|---|---------|--|
| AS39406 | Viper 400W Transformer 110V/ 60Hz, (For Plastic Unit) | AS39408 | Viper 400W Transformer 220V/ 60Hz, (For Plastic Unit) |
| AS39403 | Viper 400W Transformer 110V/ 60Hz, (For S/S Unit) | AS39407 | Viper 400W Transformer 220V/ 60Hz, (For S/S Unit) |
| AS39806 | Viper 800W Transformer 220V/ 60Hz, (For Plastic Unit) | AS39121 | Viper 1200W Transformer 220V/ 60Hz, (For Plastic Unit) |
| AS39404 | Viper 400W Raw Transformer | AS39405 | Viper 400W Raw Transformer and Ignitor |
| A30106 | Viper SL Step Transformer | A40167 | Cooling Fan |
| A40113 | Transformer Cap, Black, (for Stainless Steel Units) | A40023 | Transformer Cap, Clear (for Plastic Units) |
| A40061 | Clip Connectors for Viper Lamps, Male/Female | A40109 | Davis Connector |